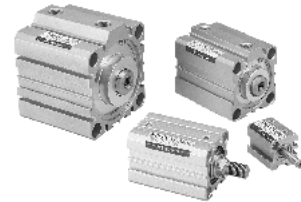


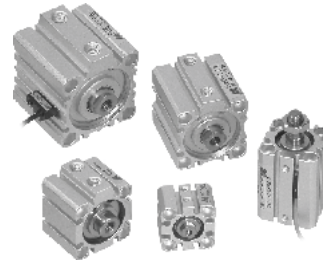
MCJT SERIES COMPACT

- Ultra compact, a light weight and space saving cylinder.
- Wide range of bore sizes and strokes (12mm-100mm).
- Single and double acting available.



MCJS SERIES Compact

- Ultra compact, a light weight and space saving cylinder.
- Wide range of bore sizes and strokes (12mm-100mm).
- Single and double acting available.
- Ideal for use in machinery where space is limited and incorporating sensor groove which enables flush fitting of sensors.
- Sensor can be mounted on any one of three faces on 12 and 16 bore and on four faces on 20-100 bore.



MCCN SERIES Round

- Many mounting options available.
- Interchangeable with other manufacturers.



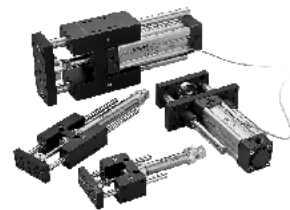
MCGA SERIES Twin-Guided (Stop/Lift)

- Strong cylinder capable of heavy loads, used extensively for stopping work carriers in both the vertical and horizontal position.
- Large diameter guide rods enable cylinder to take high off-set loads.
- Can be used as 90 degree pusher on large conveyer systems.
- Magnetic as standard.



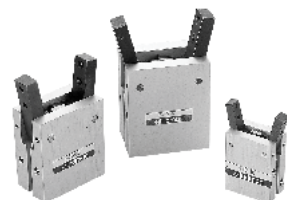
MGT* SERIES Twin-Guided

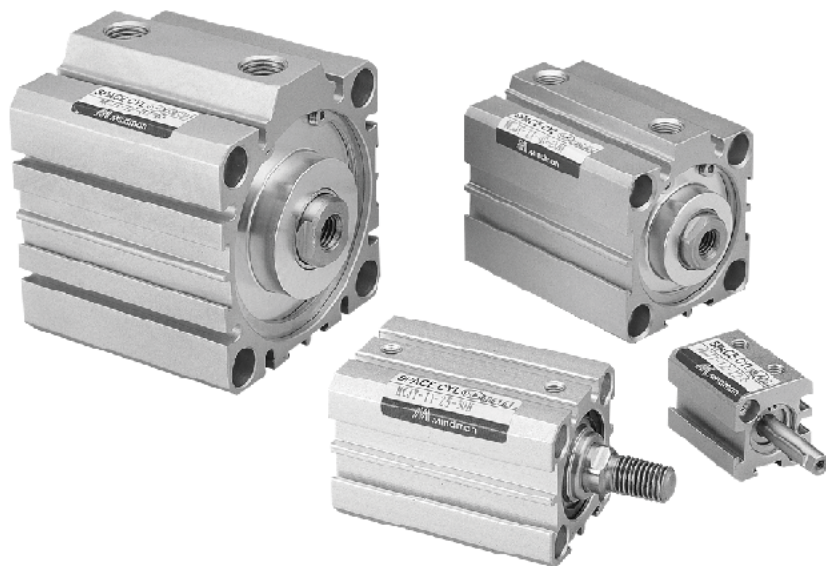
- The guide units can be assembled into cylinders that then conform to ISO6432.
- Anti-rotation guaranteed by use of external guide rods.
- Four self lube bushes or linear bearings enable high loadings and consistent movement.
- Simple to install by universal mounting holes.
- Flush fitting reed switch.
- Magnetic as standard.



MCHA SERIES Grippers

- Available with comprehensive range of bore sizes 12-32mm.
- Highly accurate air driven device for holding work-piece.
- Magnetic as standard.



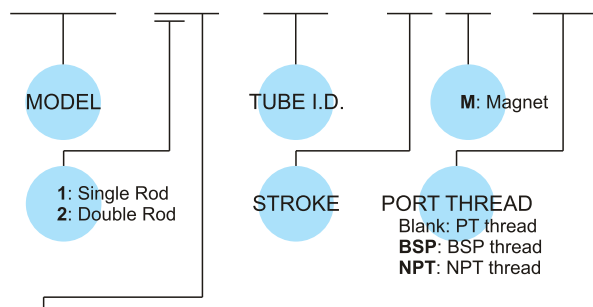


FEATURES

- Ultra compact, a light weight and space saving cylinder.
- Wide range of bore sizes and strokes (12mm-100mm).
- Single and double acting available.

Order example:

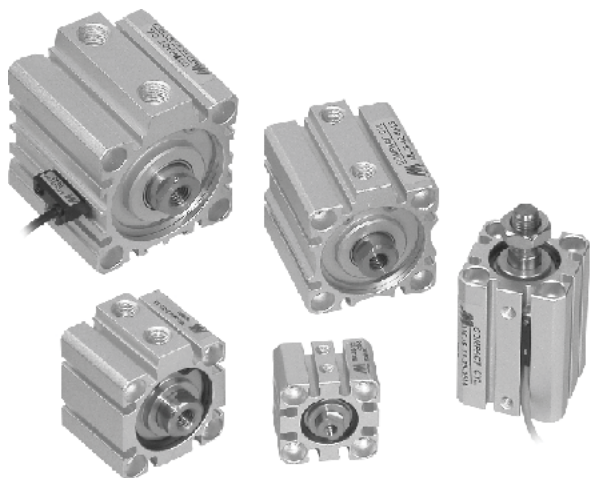
MCJT – 12 – 40 – 25 M – BSP



STYLE:

Code	Symbol	Description
1 1		Double acting / Male thread
1 2		Double acting / Female thread
1 3		Single acting / Normally extended male thread
1 4		Single acting / Normally extended female thread
1 5		Single acting / Normally returned male thread
1 6		Single acting / Normally returned female thread
2 1		Double rod / Male thread
2 2		Double rod / Female thread
2 7		Double rod / Adjustable male thread
2 8		Double rod / Adjustable female thread

Model		MCJT									
Acting type		Double acting / Single acting						Double acting			
Tube I.D. (mm)		12	16	20	25	32	40	50	63	80	100
Port size RC(PT)		M5×0.8			PT 1/8	PT 1/4	PT 3/8				
Medium		Air									
Operating pressure Kg/cm ²	Double acting	0.5~9.9	0.3~9.9	0.2~9.9							
	Single acting	2.0~9.9	1.5~9.9	1.0~9.9	—						
Test pressure		15 kgf/cm ²									
Ambient temperature		-5~+60°C (No freezing)									
Sensor switch		RCB, RCE, RCE1									

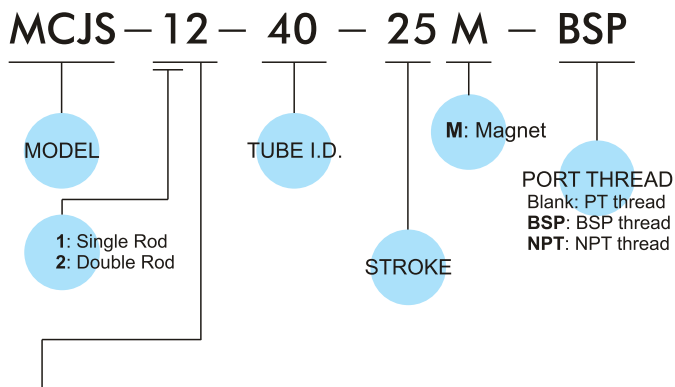


FEATURES

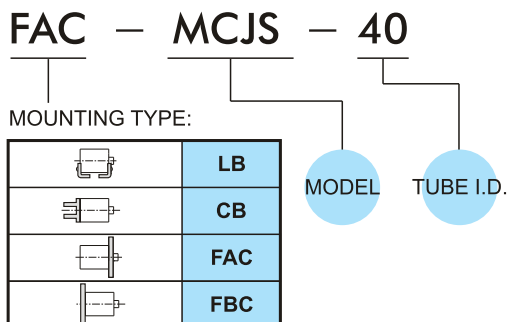
- Ultra compact, a light weight and space saving cylinder.
- Wide range of bore sizes and strokes (12mm-100mm).
- Single and double acting available.
- Ideal for use in machinery where space is limited and incorporating sensor groove which enables flush fitting of sensors.
- Sensor can be mounted on any one of three faces on 12 and 16 bore and on four faces on 20-100 bore.

Model	MCJS		
Tube I.D. (mm)	12, 16, 20, 25	32, 40	50, 63, 80, 100
Port size RC(Pt)	M5	PT 1/8	PT 1/4
Medium	Air		
Operating pressure range	0.5-9.9 kgf/cm ²		
Test pressure	15 kgf/cm ²		
Ambient temperature	- 5~+ 60°C (No freezing)		
Cushion	With rubber cushion pad		
Lubrication	Not required		
Sensor switch	RCE,RCE1	RCB,RCE,RCE1	

Order example:



Mounting accessories:



STYLE:

Code	Symbol	Description
1 1		Double acting / Male thread
1 2		Double acting / Female thread
1 3		Single acting / Normally extended Male thread
1 4		Single acting / Normally extended female thread
1 5		Single acting / Normally returned male thread
1 6		Single acting / Normally returned female thread

※ Please contact us for the dimensions of dual rod style.