



# SHAKO

FILTERS | REGULATORS | LUBRICATORS | COMBINATION SETS

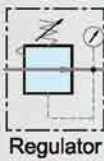


PRODUCT GUIDE

## MINIATURE REGULATOR (NR200) ALUMINIUM DIES-CAST DIAPHRAGM STYLE



### Symbol



### Features

- \* Diaphragm design provides more accurate and easier pressure setting.
- \* Panel mounting is available.



### How to order

**NR200**

**02**

**N**

**B**

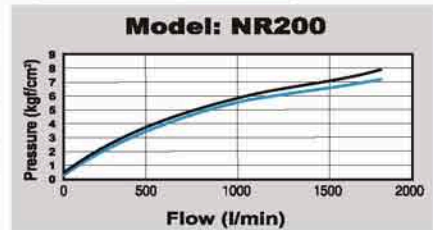
**G**

NR200	Operating pressure 0.5~8kgf/cm <sup>2</sup>	Port size	Thread	Mounting bracket	Pressure gauge
NR200L4	Operating pressure 0~4kgf/cm <sup>2</sup>	01 1/8"	Blank PS	Blank W/O bracket	Blank W/O gauge
NR200L2	Operating pressure 0~2 kgf/cm <sup>2</sup>	02 1/4"	N NPT	B W/I bracket	G W/I gauge

### Specifications

Model	NR200	NR200L4	NR200L2
Port size	1/8", 1/4"		
Fluid	Compressed air		
Regulator construction	Diaphragm		
Body material	Aluminum die-cast		
Operating pressure range	0.5~8 kgf/cm <sup>2</sup>	0~4 kgf/cm <sup>2</sup>	0~2 kgf/cm <sup>2</sup>
Max. inlet pressure	12 kgf/cm <sup>2</sup>		
Max. flow rate l/min (6kgf/cm <sup>2</sup> )	1500		
Ambient temperature	-10°C ~ 60°C		
Net weight	205g		
Accessories	Plug		

### Flow chart

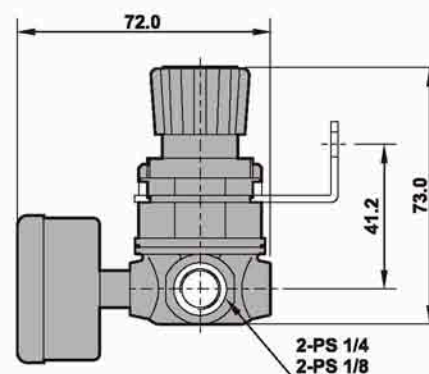
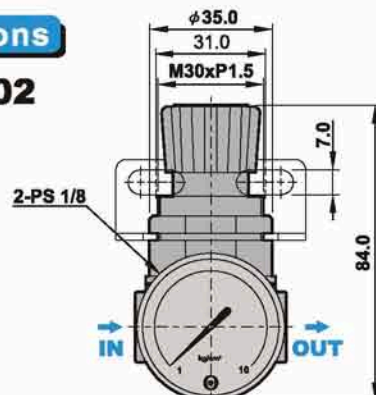


#### Note:

X axis: Flow  
Y axis: Pressure  
Blue line (P0) = Outlet pressure  
Black line (P1) = Inlet pressure  
P1-P0 = Pressure range

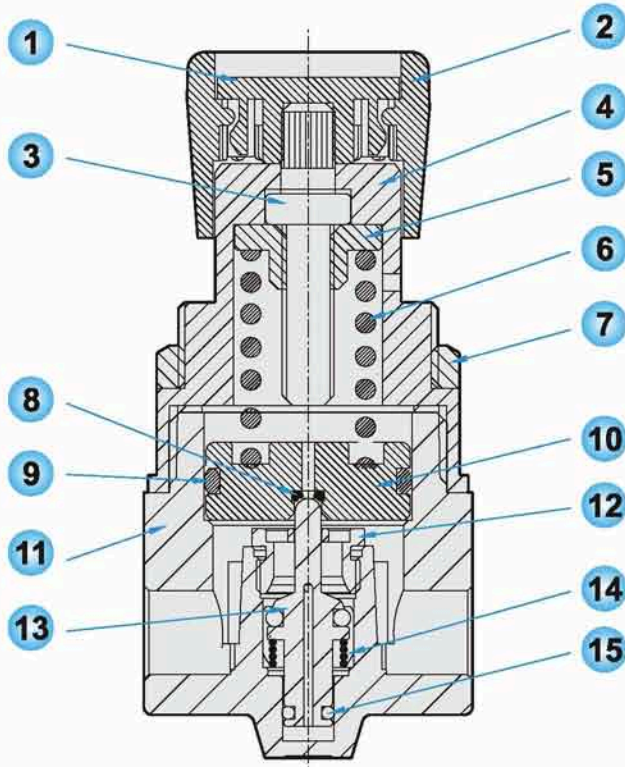
### Dimensions

#### NR200-01, 02



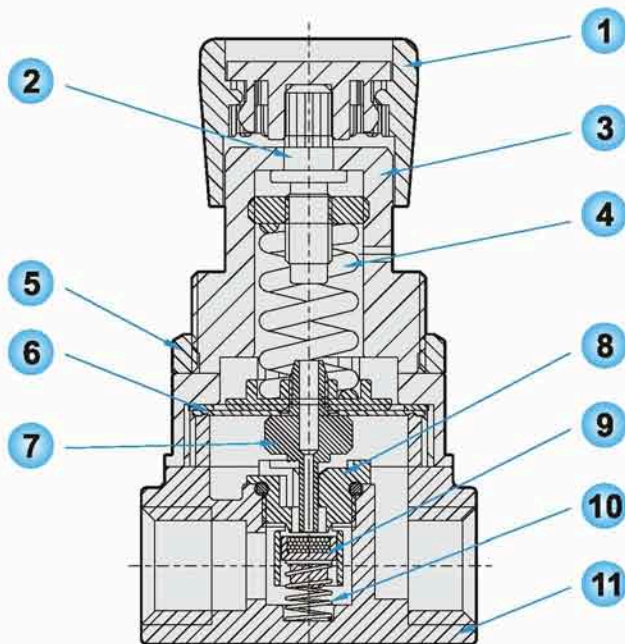
Construction

R200-01, 02



No.	Description	Material
1	Regulator dome	NY
2	Regulator knob	NY
3	Pressure regulating screw	Fe+Ni
4	Regulator base	NY+GF
5	Pressure regulating nut	Cu+Ni
6	Spring	Spring steel
7	Lock nut	NY+GF
8	O-ring	NBR
9	O-ring	NBR
10	Piston	AL
11	Body	ADC12
12	Positioning nut	Cu
13	Regulating needle	Cu
14	Spring	SUS
15	O-ring	NBR

NR200-01, 02



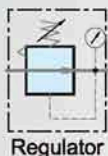
No.	Description	Material
1	Regulator knob	NY
2	Pressure regulating screw	Fe+Ni
3	Regulator base	NY+GF
4	Spring	Spring steel
5	Lock nut	NY+GF
6	Diaphragm	NBR70°
7	Regulating needle	AL
8	Positioning nut	POM
9	Plug	Cu
10	Spring	SUS
11	Body	ADC12

COMPOSITE/ALUMINIUM

## STANDARD & LARGE REGULATOR (UR Series) ALUMINIUM DIE-CAST



### Symbol



Regulator

### Features

- \* Accurate and easy pressure setting.
- \* Panel mounting is available.

### How to order

UR	-	02		N
Regulator		Port size		Thread
02	1/4"	06	3/4"	Blank PS
03	3/8"	08	1"	N NPT
04	1/2"			

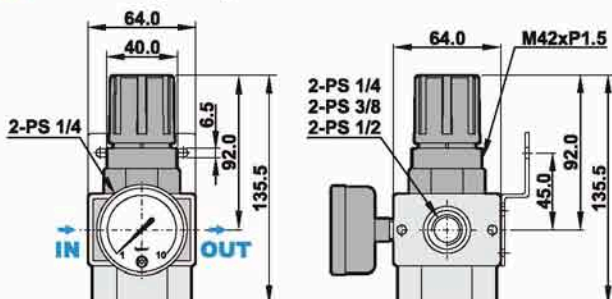


### Specifications

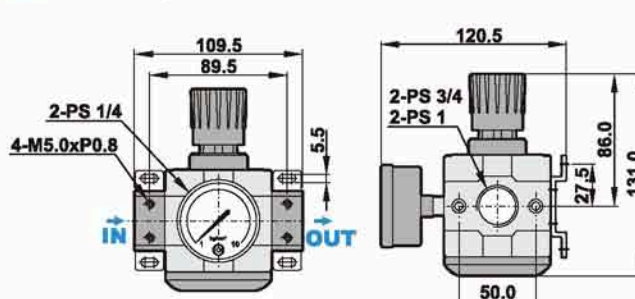
Model	UR-02	UR-03	UR-04	UR-06	UR-08
Port size	1/4"	3/8"	1/2"	3/4"	1"
Fluid	Compressed air				
Regulator construction	Piston				
Body material	Aluminum die-cast				
Operating pressure range	0.5 ~ 10 kgf/cm <sup>2</sup>				
Max. inlet pressure	15 kgf/cm <sup>2</sup>				
Max. flow rate l/min (6kgf/cm <sup>2</sup> )	2100	2130	2750	8000	8500
Ambient temperature	-10°C ~ 60°C				
Net weight	740g	730g	720g	1250g	1240g
Accessories	Pressure gauge, Mounting bracket, Plug, Screw x 4				

### Dimensions

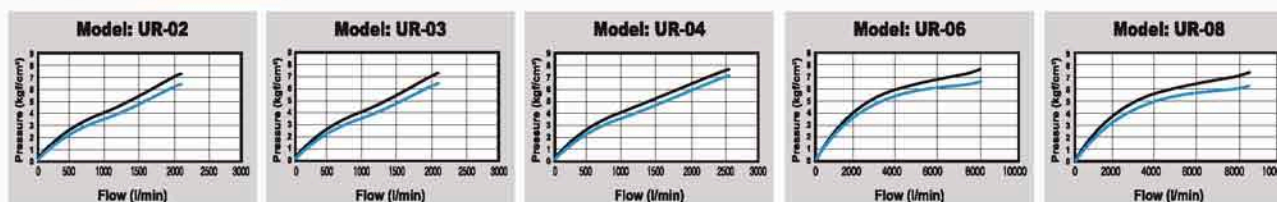
#### UR-02, 03, 04



#### UR-06, 08



### Flow chart

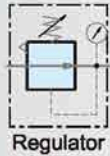


**Note:** X axis: Flow, Y axis: Pressure, Blue line (P0) = Outlet pressure, Black line (P1) = Inlet pressure, P1-P0 = Pressure range

## EXTRA LARGE REGULATOR 1 1/2", 2" (UR Series) ALUMINIUM ALLOY



### Symbol



### Features

- \* Large flow rate (Max. 30000 l/min)
- \* Aluminum alloy body, light weight.
- \* Pilot regulator is available for remote control.

### How to order

UR	
UR	Regulator
UAR	Pilot regulator

20	
Port size	
14	1 1/2"
20	2"

N	
Thread	
Blank	PS
N	NPT

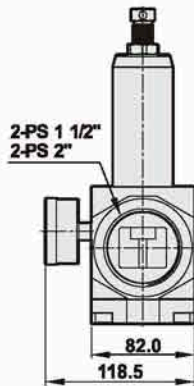
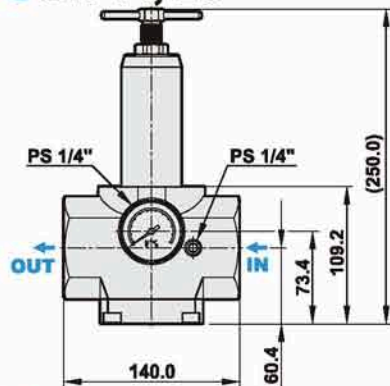


### Specifications

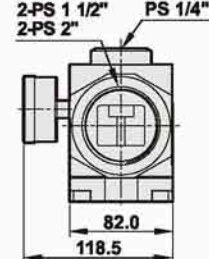
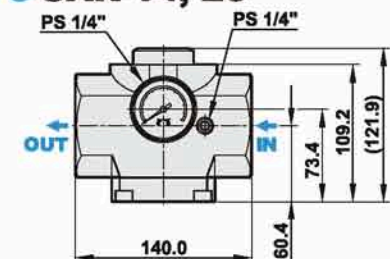
Model	UR-14	UR-20	UAR-14	UAR-20
Port size	1 1/2"	2"	1 1/2"	2"
Fluid	Compressed air			
Regulator construction	Piston			
Operating pressure range	0 ~ 8 kgf/cm <sup>2</sup>			
Max. operating pressure	10 kgf/cm <sup>2</sup>			
Max. flow rate l/min (6kgf/cm <sup>2</sup> )	30000 l/min (input 7 kgf/cm <sup>2</sup> output 6 kgf/cm <sup>2</sup> )			
Ambient temperature	-10°C ~ 60°C			
Net weight	2.8 kg	2.5 kg	2.2 kg	2.0 kg
Accessories	Pressure gauge, plug			

### Dimensions

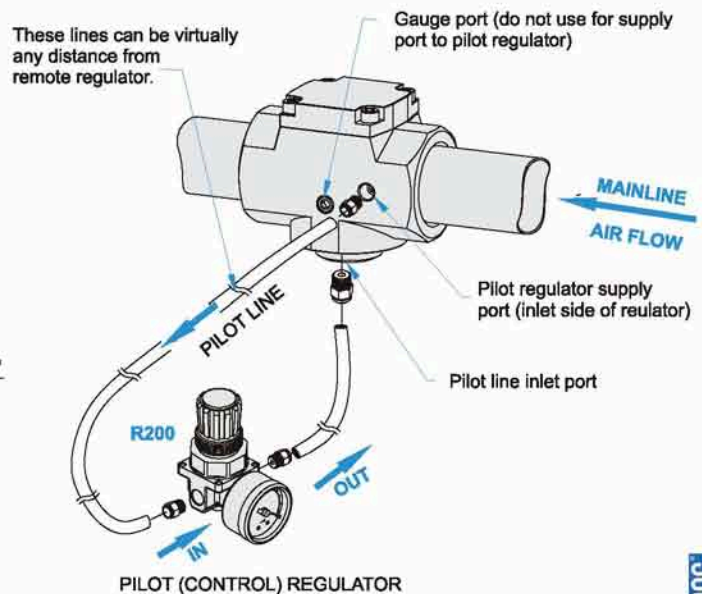
#### UR-14, 20



#### UAR-14, 20

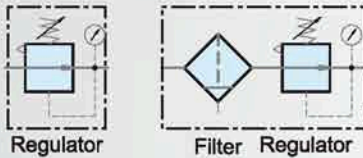


### Installation



## MINIATURE REGULATOR & FILTER REGULATOR (SSR200/SSFR500) STAINLESS STEEL

### Symbol



### Features

- \* For high pressure use, corrosion and chemical resistance.
- \* Good performance in chemically working environments and outdoor facility.
- \* Suitable for semi-conductor industry.
- \* Large flow rate and effectively removes water and particle.
- \* Accurate and sensitive pressure setting.
- \* Light weight, compact size for space saving.



### How to order

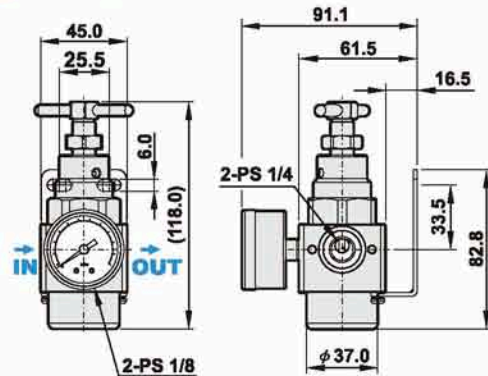
<b>SSR200</b>		<b>02</b>	<b>N</b>	<b>H</b>
Stainless steel SUS316 Miniature F.R.L.		Port size	Thread	Drain
<b>SSR200</b>	Miniature Regulator	02 1/4"	Blank PS N NPT	Blank Semi-auto drain H Manual drain D Auto drain Only for SSFR500
<b>SSFR500</b>	Miniature Filter Regulator			

### Specifications

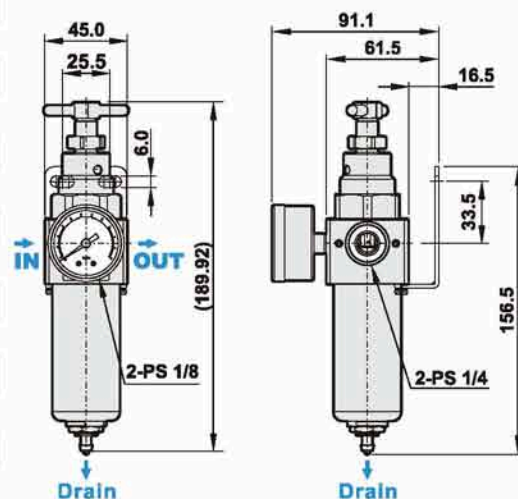
Model	SSR200	SSFR500
Port size	1/4"	
Fluid	Compressed air	
Regulator construction	Piston	
Body material	Stainless steel SUS316	
Bowl material	—	Stainless steel SUS316
Pressure gauge material	Case: Stainless steel SUS304, Thread: Stainless steel SUS316	
Filter element material	—	Stainless steel SUS316
Filtration	—	5µm (Standard) - 40µm (Option)
Operating pressure range	0.5 ~ 20 kgf/cm <sup>2</sup>	
Max. inlet pressure	30 kgf/cm <sup>2</sup>	
Max. flow rate (6kgf/cm <sup>2</sup> )	1850 l/min	
Ambient temperature	-10°C ~ 60°C	
Filter bowl capacity	—	105cc
Standard drain	—	Semi-auto drain (Drains below 0.5kgf/cm <sup>2</sup> )
Net weight	1200g	1380g
Accessories	Pressure gauge, Mounting bracket, Plug, Screw x 2	

### Dimensions

#### SSR200



#### SSFR500

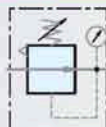


STAINLESS STEEL

### STANDARD (LARGE ON REQUEST) REGULATOR (USR) STAINLESS STEEL



#### Symbol



Regulator

#### Features

- \* For high pressure use, corrosion and chemical resistance.
- \* Good performance in chemically working environments and outdoor facility.
- \* Suitable for semi-conductor industry.
- \* Accurate and sensitive pressure setting.
- \* Strict quality control.



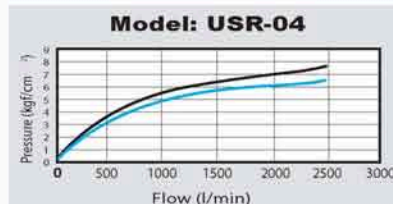
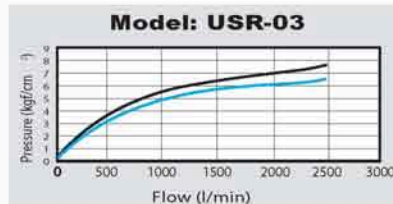
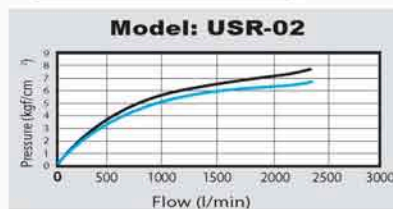
#### How to order

<b>US</b>	<b>R</b>	<b>04</b>	<b>N</b>
SUS316 Stainless steel	Regulator	Port size	Thread
		02 1/4" (Option)	Blank PS
		03 3/8"	N NPT
		04 1/2"	

#### Specifications

Model	USR-02	USR-03	USR-04
Port size	1 / 4 " (Option)	3 / 8 "	1 / 2 "
Fluid	Compressed air		
Regulator construction	Piston		
Body material	Stainless steel SUS316		
Pressure gauge material	Case: Stainless steel SUS304, Thread: Stainless steel SUS316		
Operating pressure range	0.5 ~ 30 kgf/cm <sup>2</sup>		
Max. inlet pressure	60 kgf/cm <sup>2</sup>		
Max. flow rate l/min (6kgf/cm <sup>2</sup> )	1950	2250	2520
Ambient temperature	-10C ~ 70C		
Net weight	1400g		
Accessories	Pressure gauge, Mounting bracket, Plug, Screw x 2		

#### Flow chart



#### Note:

X axis: Flow  
Y axis: Pressure  
Blue line (P0) = Outlet pressure  
Black line (P1) = Inlet pressure  
P1-P0 = Pressure range

#### Dimensions

#### USR-02, 03, 04

