



SHAKO

FILTERS | REGULATORS | LUBRICATORS | COMBINATION SETS

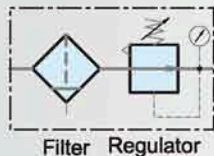


PRODUCT GUIDE

MINIATURE FILTER REGULATOR (FR500A) COMPOSITE



Symbol



Features

- Remove water and particle effectively.
- Compact size with effective air service.
- 40 μ m and 5 μ m filter element are easily interchangeable and replaceable.
- Accurate and easy pressure setting.



How to order

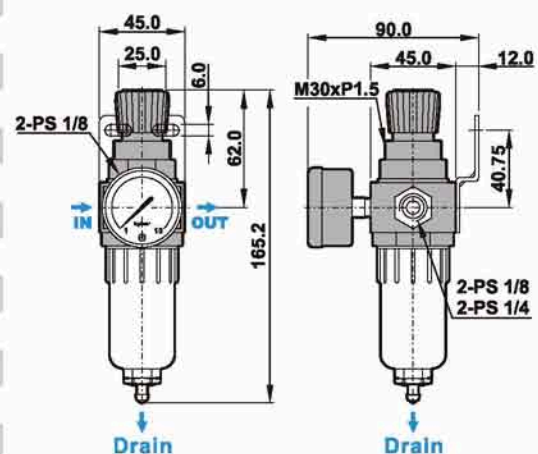
FR500A	—	02	N	C	H	K
Miniature Filter Regulator		Port size	Thread	Filtration	Drain	Bowl guard
		01 1/8" Option 02 1/4" Standard	Blank PS N NPT	Blank 5 μ m C 40 μ m	Blank Semi-auto drain H Manual drain	Blank W/O guard K W/I guard

Specifications

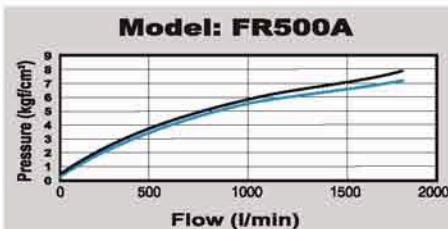
Model	FR500A-01	FR500A-02
Port size	1/8" [Option]	1/4" [Standard]
Fluid	Compressed air	
Regulator construction	Diaphragm	
Body material	Polycarbonate	
Bowl material	Polycarbonate (Standard)	
Filtration	5 μ m (Standard) · 40 μ m (Option)	
Operating pressure range	0.5 ~ 10 kgf/cm ²	
Max. inlet pressure (Standard bowl)	12 kgf/cm ²	
Max. flow rate l/min (6kgf/cm ²)	1840	1940
Ambient temperature	-10 $^{\circ}$ C ~ 60 $^{\circ}$ C	
Filter bowl capacity	35cc	
Standard drain	Semi-auto drain (Drains below 0.5kgf/cm ²)	
Net weight	370g	
Accessories	Pressure gauge, Mounting bracket, Plug, Screw x 2	

Dimensions

FR500A-01, 02



Flow chart



Note:

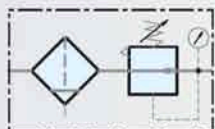
- X axis: Flow
- Y axis: Pressure
- Blue line (P0) = Outlet pressure
- Black line (P1) = Inlet pressure
- P1-P0 = Pressure range

MAC

VALVES

STANDARD & LARGE FILTER REGULATOR (UFR) ALUMINIUM DIE-CAST/COMPOSITE

Symbol



Filter Regulator

Features

- * Remove water and particle effectively.
- * 40 μ m and 5 μ m filter element are easily interchangeable and replaceable.
- * Accurate and easy pressure setting.



Patent number in Taiwan : 684011
Patent number in China : ZL200420019530. 2
Patent category : Pressure regulating constructions

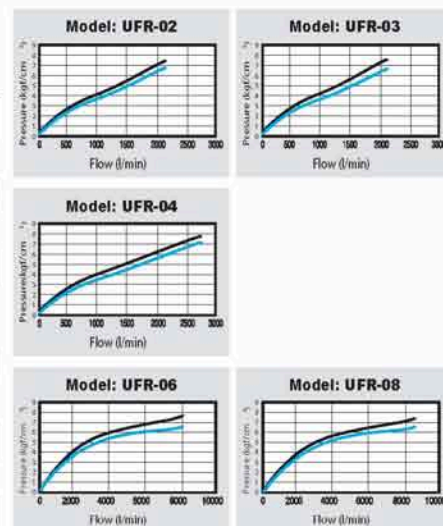
How to order

UFR	02	N	C	D	A
Filter Regulator	Port size	Thread	Filtration	Drain	Bowl
	02 1/4"	Blank PS	Blank 5 μ m	Blank Semi-auto drain	Blank Standard bowl
	03 3/8"	N NPT	C 40 μ m	H Manual drain	A Anti-acid & alkali bowl
	04 1/2"			D Auto drain	AL Aluminum bowl (1/4"~1/2")
	06 3/4"				
	08 1"				

Specifications

Model	UFR-02	UFR-03	UFR-04	UFR-06	UFR-08
Port size	1/4"	3/8"	1/2"	3/4"	1"
Fluid	Compressed air				
Regulator construction	Piston				
Body material	Aluminum die-cast				
Bowl material	Polycarbonate (Standard), Anti-acid & alkali bowl (Option), Aluminum bowl (Option)				
Filtration	5 μ m (Standard), 40 μ m (Option)				
Operating pressure range	0.5 ~ 10 kgf/cm ²				
Max. operating pressure (Standard bowl)	15 kgf/cm ²				
Max. flow rate l/min (6kgf/cm ²)	2080	2100	2600	7940	8200
Ambient temperature	-10C ~ 60C				
Lubricator oil (Recommended)	ISO-VG32				
Filter bowl capacity	105cc		210cc		
Lubricator bowl capacity	125cc		235cc		
Standard drain	Semi-auto drain (Drains below 0.5kgf/cm ²)				
Net weight	930g (W/I Aluminum bowl, 1230g)			1360g	
Accessories	Pressure gauge, Mounting bracket, Plug, Screw x 4				

Flow chart



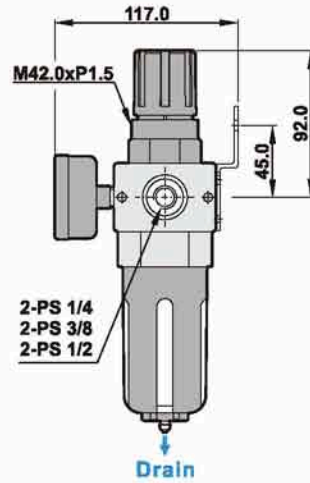
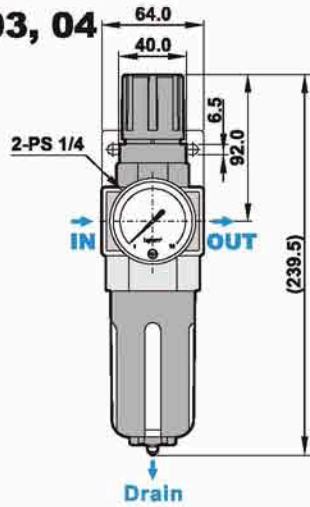
Note:

X axis: Flow
Y axis: Pressure
Blue line (P0) = Outlet pressure
Black line (P1) = Inlet pressure
P1-P0=Pressure range

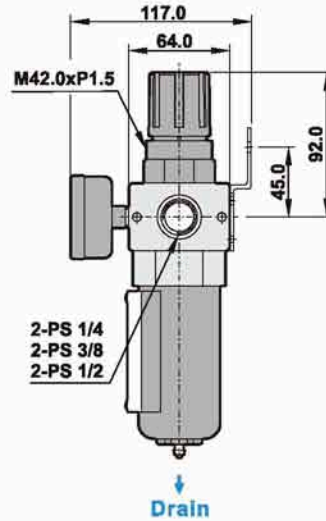
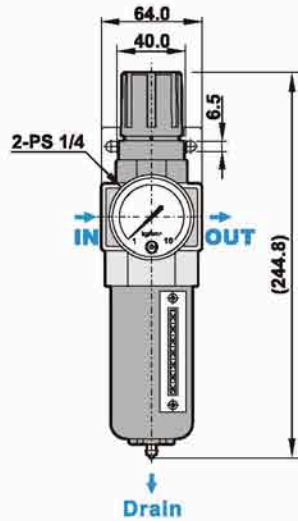
COMPOSITE/ALUMINIUM

Dimensions

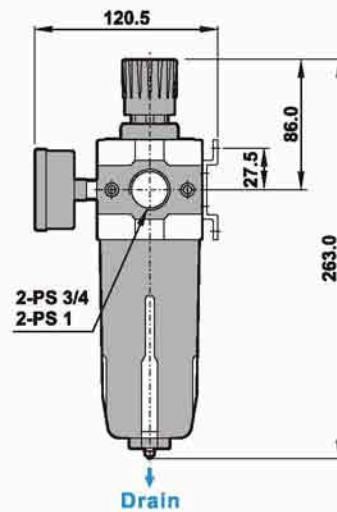
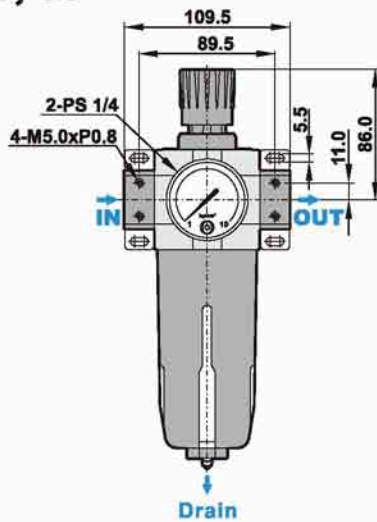
UFR-02, 03, 04



UFR-02AL, 03AL, 04AL (Aluminum bowl)



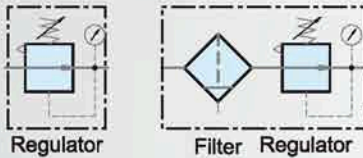
UFR-06, 08



COMPOSITE/ALUMINIUM

MINIATURE REGULATOR & FILTER REGULATOR (SSR200/SSFR500) STAINLESS STEEL

Symbol



Features

- * For high pressure use, corrosion and chemical resistance.
- * Good performance in chemically working environments and outdoor facility.
- * Suitable for semi-conductor industry.
- * Large flow rate and effectively removes water and particle.
- * Accurate and sensitive pressure setting.
- * Light weight, compact size for space saving.



How to order

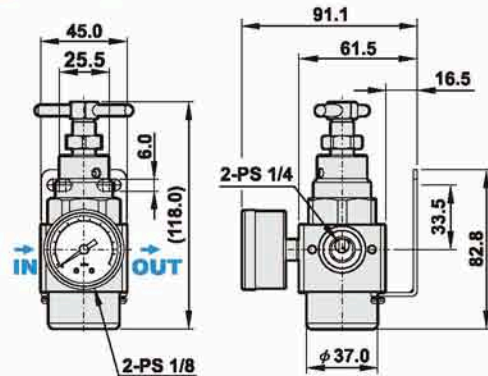
SSR200	-	02	N	H
Stainless steel SUS316 Miniature F.R.L.		Port size	Thread	Drain
SSR200	Miniature Regulator	02 1/4"	Blank PS N NPT	Blank Semi-auto drain H Manual drain D Auto drain Only for SSFR500
SSFR500	Miniature Filter Regulator			

Specifications

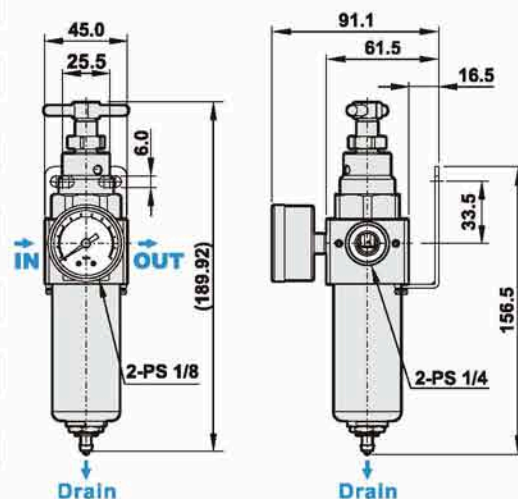
Model	SSR200	SSFR500
Port size	1/4"	
Fluid	Compressed air	
Regulator construction	Piston	
Body material	Stainless steel SUS316	
Bowl material	—	Stainless steel SUS316
Pressure gauge material	Case: Stainless steel SUS304, Thread: Stainless steel SUS316	
Filter element material	—	Stainless steel SUS316
Filtration	—	5µm (Standard) - 40µm (Option)
Operating pressure range	0.5 ~ 20 kgf/cm ²	
Max. inlet pressure	30 kgf/cm ²	
Max. flow rate (6kgf/cm ²)	1850 l/min	
Ambient temperature	-10°C ~ 60°C	
Filter bowl capacity	—	105cc
Standard drain	—	Semi-auto drain (Drains below 0.5kgf/cm ²)
Net weight	1200g	1380g
Accessories	Pressure gauge, Mounting bracket, Plug, Screw x 2	

Dimensions

SSR200



SSFR500

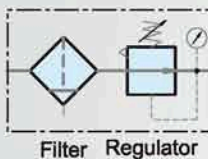


STAINLESS STEEL

STANDARD (MINIATURE ON pg26) FILTER REGULATOR (USFR) STAINLESS STEEL



Symbol



Features

- * For high pressure use, corrosion and chemical resistance.
- * Good performance in chemically working environments and outdoor facility.
- * Suitable for semi-conductor industry.
- * The product effectively removes water and particle.
- * Accurate and sensitive pressure setting.



Patent number in China :
ZL200620055734.0

How to order

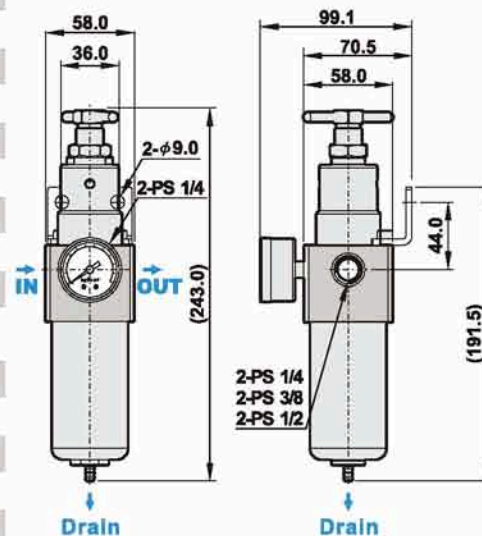
US	FR	04	N	C	H
SUS316 Stainless steel	Filter Regulator	Port size	Thread	Filtration	Drain
		02 1/4" (Option)	Blank PS	Blank 5μm	Blank Semi-auto drain
		03 3/8"	N NPT	C 40μm	H Manual drain
		04 1/2"			D Auto drain

Specifications

Model	USFR-02	USFR-03	USFR-04
Port size	1/4" (Option)	3/8"	1/2"
Fluid	Compressed air		
Regulator construction	Piston		
Body material	Stainless steel SUS316		
Bowl material	Stainless steel SUS316		
Pressure gauge material	Case: Stainless steel SUS304, Thread: Stainless steel SUS316		
Filtration/Element material	5μm (Standard) Stainless steel SUS316		
Operating pressure range	0.5 ~ 30 kgf/cm ² (Max)		
Max. inlet pressure	60 kgf/cm ²		
Max. flow rate l/min (6kgf/cm ²)	2200	2500	3800
Ambient temperature	-10°C ~ 70°C		
Filter bowl capacity	110cc		
Standard drain	Semi-auto drain (Drains below 0.5kgf/cm ²)		
Net weight	2000g		
Accessories	Pressure gauge, Mounting bracket, Plug, Screw x 2		

Dimensions

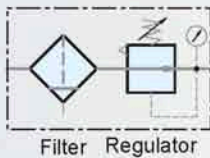
USFR-02, 03, 04



LARGE FILTER REGULATOR (USFRC) STAINLESS STEEL



Symbol



Features

- * For high pressure use, corrosion and chemical resistance.
- * Good performance in chemically working environments and outdoor facility.
- * Suitable for semi-conductor industry.
- * Large flow rate and effectively removes water and particle.
- * Accurate and sensitive pressure setting.



How to order

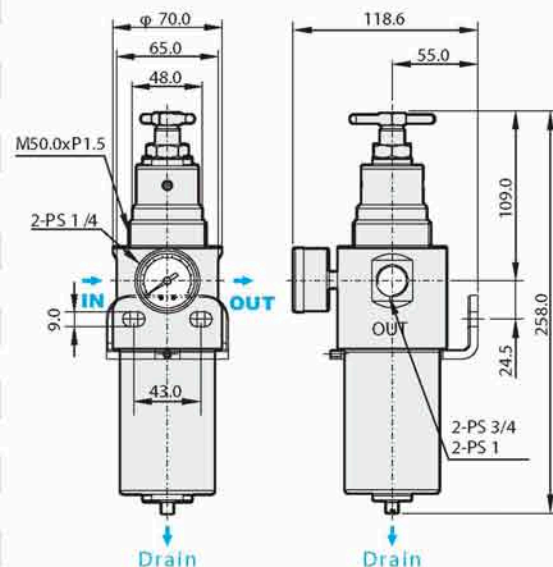
US	FRC	06	N	C	H
SUS316 Stainless steel	Filter Regulator	Port size	Thread	Filtration	Drain
		06 3/4"	Blank PS	Blank 5μm	H Manual drain
		08 1"	N NPT	C 40μm	

Specifications

Model	USFRC-06	USFRC-08
Port size	3 / 4 "	1 "
Fluid	Compressed air	
Regulator construction	Piston	
Body material	Stainless steel SUS316	
Bowl material	Stainless steel SUS316	
Pressure gauge material	Case: Stainless steel SUS304, Thread: Stainless steel SUS316	
Filtration/Element material	5μm (Standard) Stainless steel SUS316	
Operating pressure range	0.5 ~ 30 kgf/cm ²	
Max. inlet pressure	60 kgf/cm ²	
Max. flow rate Vmin (6kgf/cm ²)	7250	7650
Ambient temperature	-10C ~ 70C	
Filter bowl capacity	200cc	
Standard drain	Manual drain	
Net weight	3000g	
Accessories	Pressure gauge, Plug, Mounting bracket	

Dimensions

USFRC-06, 08



STAINLESS STEEL