



SHAKO

FILTERS | REGULATORS | LUBRICATORS | COMBINATION SETS



PRODUCT GUIDE

MINIATURE FILTER (F200A) COMPOSITE



Symbol



Filter

Features

- * Remove water and particle effectively.
- * Compact size with effective air service.
- * 40 μ m and 5 μ m filter element are easily interchangeable and replaceable.



How to order

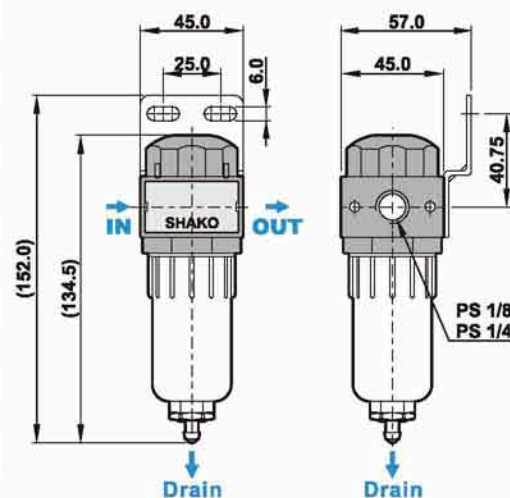
F200A	-	02	N	C	H	B	K
Miniature Filter		Port size	Thread	Filtration	Drain	Mounting bracket	Bowl guard
01	1/8" Option	Blank PS	Blank PS	Blank 5 μ m	Blank Semi-auto drain	Blank W/O bracket	Blank W/O guard
02	1/4" Standard	N NPT	C 40 μ m	H Manual drain	B W/I bracket	K W/I guard	

Specifications

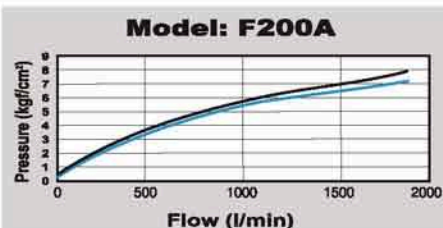
Model	F200A-01	F200A-02
Port size	1/8" [Option]	1/4" [Standard]
Fluid	Compressed air	
Body material	Polycarbonate	
Bowl material	Polycarbonate (Standard)	
Filtration	5 μ m (Standard) - 40 μ m (Option)	
Operating pressure range	0.5 ~ 10 kgf/cm ²	
Max. inlet pressure (Standard bowl)	12 kgf/cm ²	
Max. flow rate l/min (6kgf/cm ²)	1900	
Ambient temperature	-10 $^{\circ}$ C ~ 60 $^{\circ}$ C	
Filter bowl capacity	35cc	
Standard drain	Semi-auto drain (Drains below 0.5kgf/cm ²)	
Net weight	245g	
Accessories	Mounting bracket, Screw x 2	

Dimensions

F200A-01, 02



Flow chart



Note:

- X axis: Flow
- Y axis: Pressure
- Blue line (P0) = Outlet pressure
- Black line (P1) = Inlet pressure
- P1-P0 = Pressure range

STANDARD & LARGE FILTER (UF) COMPOSITE



Symbol



Filter

Features

- * Remove water and particle effectively.
- * 40 μ m and 5 μ m filter element are easily interchangeable and replaceable.



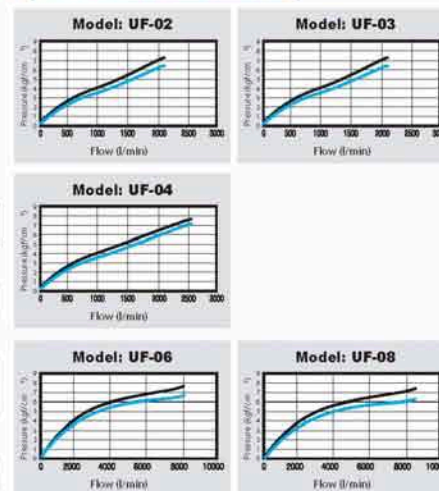
How to order

UF	-	02	N	C	D	B	A				
Filter	Port size	Thread		Filtration		Drain		Mounting		Bowl	
	02 1/4"	Blank	PS	Blank	5 μ m	Blank	Semi-auto drain	Blank	W/O bracket	Blank	Standard bowl
	03 3/8"	N	NPT	C	40 μ m	H	Manual drain	B	W/I bracket	A	Anti-acid & alkali bowl
	04 1/2"					D	Auto drain			AL	Aluminum bowl (1/4"~1/2")
	06 3/4"										
	08 1"										

Specifications

Model	UF-02	UF-03	UF-04	UF-06	UF-08
Port size	1/4"	3/8"	1/2"	3/4"	1"
Fluid	Compressed air				
Body material	Aluminum die-cast				
Bowl material	Polycarbonate (Standard), Anti-acid & alkali bowl (Option), Aluminum bowl (Option)				
Filtration	5 μ m (Standard), 40 μ m (Option)				
Operating pressure range	0.5 ~ 10 kgf/cm ²				
Max. operating pressure (Standard bowl)	15 kgf/cm ²				
Max. flow rate l/min (6kgf/cm ²)	2440	2450	3030	8250	8860
Ambient temperature	-10C ~ 60C				
Filter bowl capacity	105cc		210cc		
Standard drain	Semi-auto drain (Drains below 0.5kgf/cm ²)				
Net weight	530g (W/I Aluminum bowl 830g)			1250g	

Flow chart

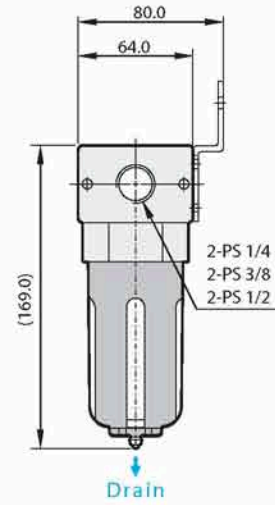
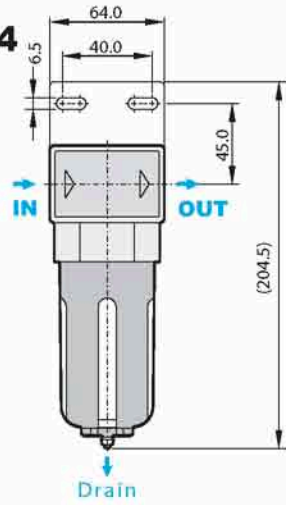


Note:

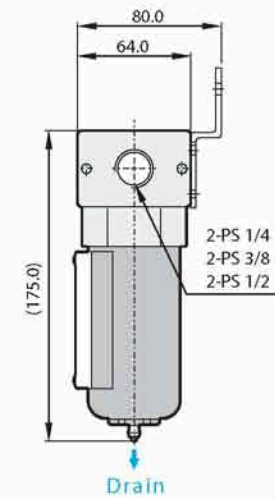
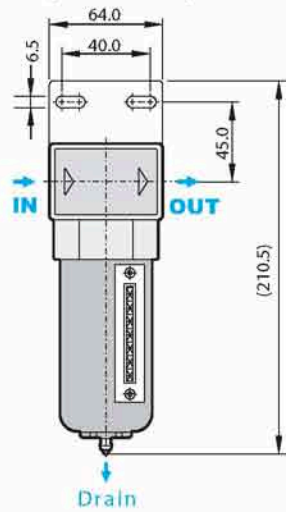
X axis: Flow
Y axis: Pressure
Blue line (P0) = Outlet pressure
Black line (P1) = Inlet pressure
P1-P0=Pressure range

Dimensions

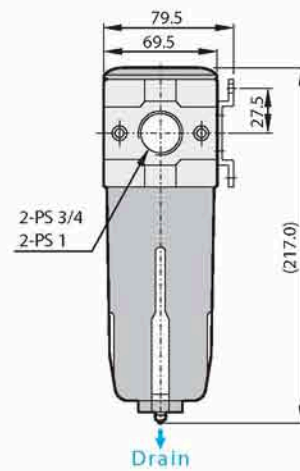
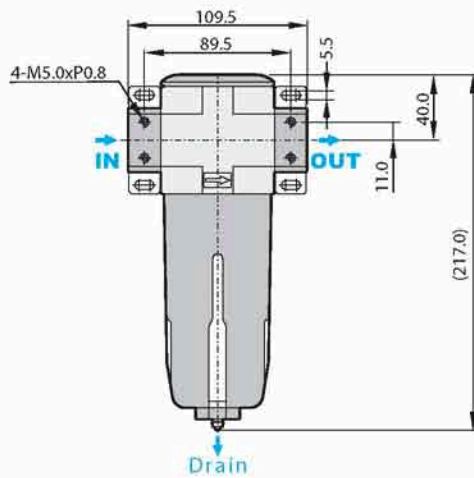
UF-02, 03, 04



UF-02AL, 03AL, 04AL (Aluminum bowl)



UF-06, 08



COMPOSITE/ALUMINIUM

MINIATURE FILTER (SSF200) STAINLESS STEEL



Symbol



Features

- * For high pressure use, corrosion and chemical resistance.
- * Good performance in chemically working environments and outdoor facility.
- * Suitable for semi-conductor industry.
- * Effectively removes water and particle.
- * Strict quality control.
- * Light weight, compact size for space saving.



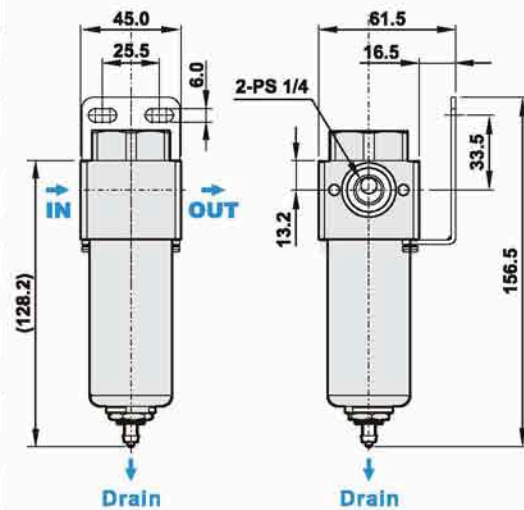
How to order

SSF200	—	02	N	H
Stainless steel SUS316 Miniature F.R.L.		Port size	Thread	Drain
Miniature Filter		02 1/4"	Blank PS N NPT	Blank Semi-auto drain H Manual drain D Auto drain

Specifications

Model	SSF200
Port size	1/4"
Fluid	Compressed air
Body material	Stainless steel SUS316
Bowl material	Stainless steel SUS316
Filter element material	Stainless steel SUS316
Filtration	5 μ m (Standard) 、40 μ m (Option)
Operating pressure range	0.5 ~ 20 kgf/cm ²
Max. inlet pressure	30 kgf/cm ²
Max. flow rate	1900 l/min
Ambient temperature	-10 $^{\circ}$ C ~ 60 $^{\circ}$ C
Filter bowl capacity	105cc
Standard drain	Semi-auto drain (Drains below 0.5kgf/cm ²)
Net weight	1260g
Accessories	Pressure gauge, Mounting bracket, Plug, Screw x 2

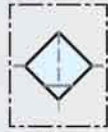
Dimensions



STAINLESS STEEL



Symbol



Filter

Features

- * For high pressure use, corrosion and chemical resistance.
- * Good performance in chemically working environments and outdoor facility.
- * Suitable for semi-conductor industry.
- * The product effectively removes water and particle.
- * Strict quality control.



How to order

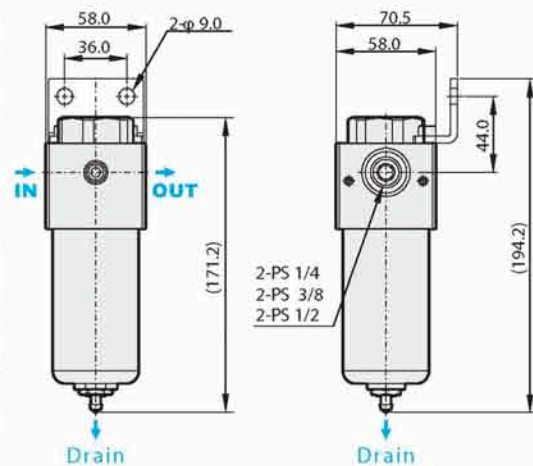
US	F	04	N	C	H
SUS316 Stainless steel	Filter	Port size	Thread	Filtration	Drain
		02 1/4" (Option)	Blank PS	Blank 5μm	Blank Semi-auto drain
		03 3/8"	N NPT	C 40μm	H Manual drain
		04 1/2"			D Auto drain

Specifications

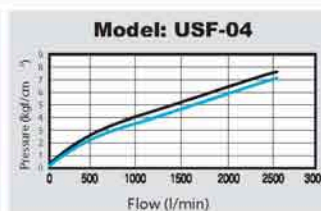
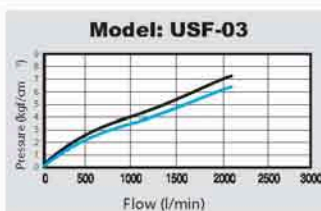
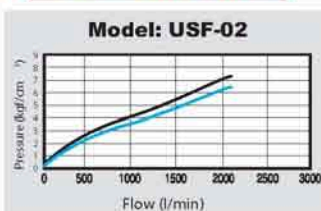
Model	USF-02	USF-03	USF-04
Port size	1/4" (Option)	3/8"	1/2"
Fluid	Compressed air		
Body material	Stainless steel SUS316		
Bowl material	Stainless steel SUS316		
Filter element material	Stainless steel SUS316		
Filtration	5μm (Standard), 40μm (Option)		
Operating pressure range	0.5 ~ 30 kgf/cm ²		
Max. inlet pressure	60 kgf/cm ²		
Max. flow rate l/min (6kgf/cm ²)	2440	2450	3030
Ambient temperature	-10C ~ 70C		
Filter bowl capacity	110cc		
Standard drain	Semi-auto drain (Drains below 0.5kgf/cm ²)		
Net weight	1650 g		
Accessories	Mounting bracket, Screw x 2		

Dimensions

USF-02, 03, 04



Flow chart



Note:

- X axis: Flow
- Y axis: Pressure
- Blue line (P0) = Outlet pressure
- Black line (P1) = Inlet pressure
- P1-P0 = Pressure range