



SHAKO

FILTERS | REGULATORS | LUBRICATORS | COMBINATION SETS

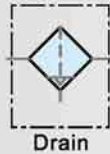


PRODUCT GUIDE

ADDITIONAL - STANDARD & LARGE AUTOMATIC DRAIN (AD940) ALUMINIUM DIE-CAST/COMPOSITE



Symbol



Features

- * AD940 series effectively and quickly drains water.
- * Special internal construction prevents vacuum occurred.

How to order

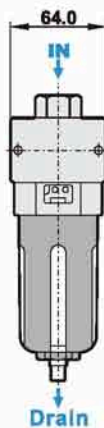
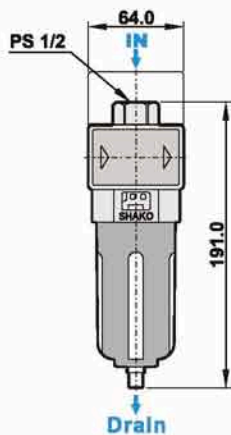
AD940	—	04	N	AL
Automatic drain		Port size	Thread	Bowl
		04 1/2"	Blank PS	Blank Standard bowl
		06 3/4"	N NPT	AL Aluminum bowl (only for 1/2")
		08 1"		

Specifications

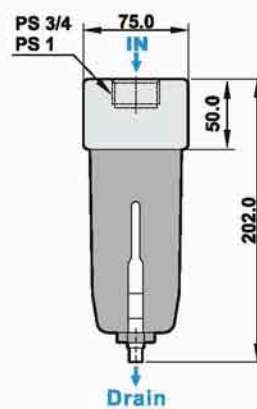
Model	AD940-04	AD940-06	AD940-08
Port size	1/2"	3/4"	1"
Fluid	Compressed air		
Body material	Aluminum die-cast		
Bowl material	Polycarbonate (Standard), Aluminum bowl (Option)		
Operating pressure range	0.5 ~ 10 kgf/cm ²		
Max. inlet pressure	12 kgf/cm ²		
Ambient temperature	-10°C ~ 60°C		
Filter bowl capacity	105cc		210cc
Net weight	500g		400g

Dimensions

AD940-04



AD940-06, 08

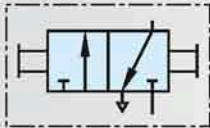


ADDITIONAL

ADDITIONAL - STANDARD SHUT-OFF VALVE (SHV) ALUMINIUM DIE-CAST/COMPOSITE



Symbol



Features

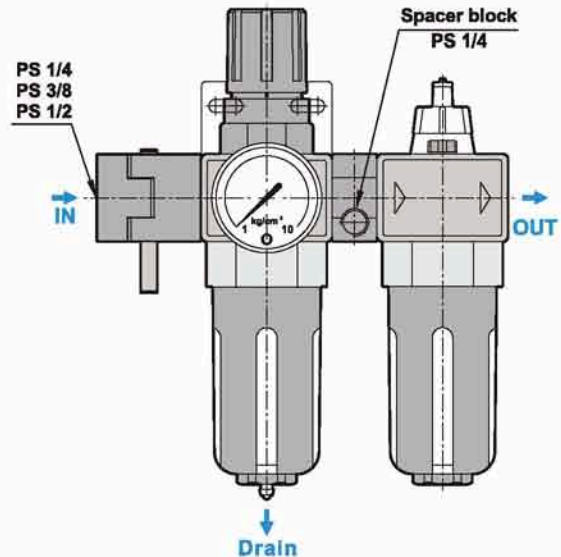
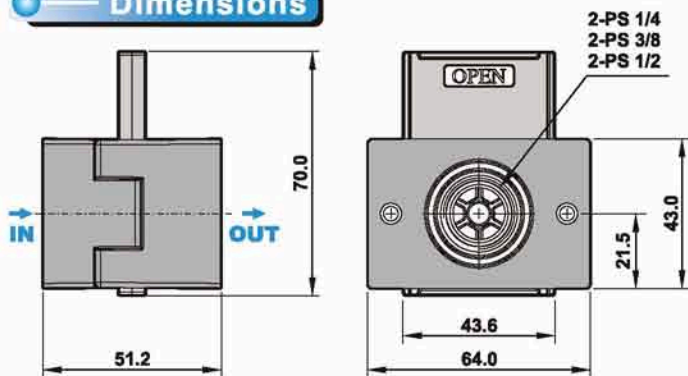
- * The valve cut air source effectively and quickly.
- * Hole lockable design to increase safety.
- * Positioning mechanism ensures to cut air supply entirely.
- * See following drawing for connection with FRL.



How to order

SHV	02	N
Shut-off valve	Port size	Thread
SHV 3/2 way	02 1/4"	Blank PS
	03 3/8"	N NPT
	04 1/2"	

Dimensions



Specifications

Model	SHV-02	SHV-03	SHV-04
Port size	1/4"	3/8"	1/2"
Fluid	Compressed air		
Body material	Aluminum die-cast		
Shut-off panel material	Polycarbonate		
Operating pressure range	0.5 ~ 12 kgf/cm ²		
Max. inlet pressure	15 kgf/cm ²		
CV value	4.0	8.0	8.0
Ambient temperature	-10°C ~ 60°C		
Net weight	350g		

ADDITIONAL - STANDARD VACUUM FILTER (UV) ALUMINIUM DIE-CAST/COMPOSITE



Symbol



Features

- * UV series removes particle effectively.
- * 40 μ m and 5 μ m filter element are easily interchangeable and replaceable.



How to order

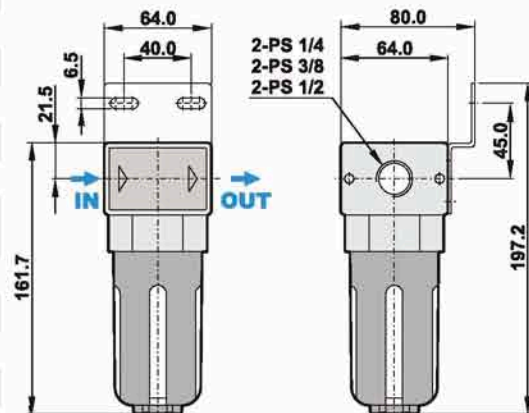
UV	02	N	C	B	A
Vacuum filter	Port size	Thread	Filtration	Mounting bracket	Bowl
	02 1/4"	Blank PS	Blank 5 μ m	Blank W/O bracket	Blank Standard bowl
	03 3/8"	N NPT	C 40 μ m	B W/I bracket	A Anti-acid & alkali bowl
	04 1/2"				AL Aluminum bowl (1/4"~1/2")

Specifications

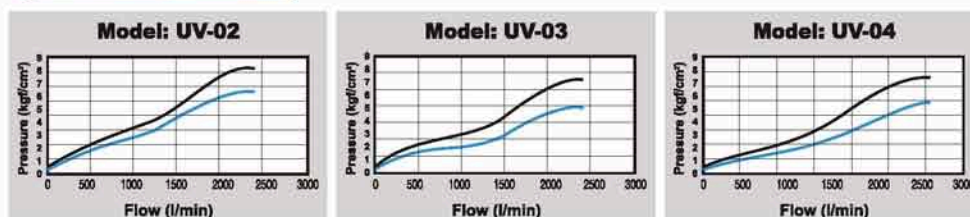
Model	UV-02	UV-03	UV-04
Port size	1/4"	3/8"	1/2"
Fluid	Compressed air		
Body material	Aluminum die-cast		
Bowl material	Polycarbonate (Standard)		
Filtration	5 μ m (Standard) - 40 μ m (Option)		
Operating pressure range	0.5 ~ 10 kgf/cm ²		
Max. operating pressure (Standard bowl)	15 kgf/cm ²		
Max. flow rate l/min (6kgf/cm ²)	2440	2450	3030
Ambient temperature	-10 $^{\circ}$ C ~ 60 $^{\circ}$ C		
Filter bowl capacity	105cc		
Net weight	530g		

Dimensions

UV-02, 03, 04



Flow chart



Note:

- X axis: Flow
- Y axis: Pressure
- Blue line (P0) = Outlet pressure
- Black line (P1) = Inlet pressure
- P1-P0 = Pressure range

ADDITIONAL

ADDITIONAL - STANDARD & LARGE COALESCING FILTER (UMF) ALUMINIUM DIE-CAST/COMPOSITE



Symbol



Filter

Features

- * UMF series effectively removes oil, water, carbon and particle.
- * With 0.01 μ m glass fiber filter element.
- * High quality control ensures stable running and long life.
- * Convenient to see air quality from pressure indicator, prevent the filter element from clogging.

Note: Please install air filter UF series upstream to extend life of filter element.



How to order

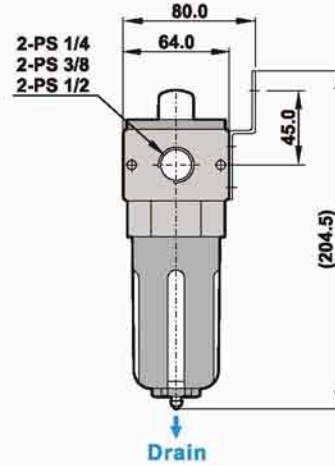
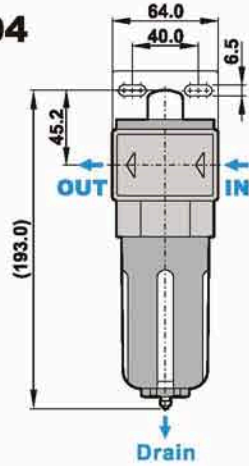
UMF		- 02		N		C		H		B		A	
Coalescing filter		Port size		Thread		Filtration		Drain		Mounting bracket		Bowl	
02	1/4"	Blank	PS	Blank	0.01 μ m	Blank	Semi-auto drain	Blank	W/O bracket	Blank	Standard bowl		
03	3/8"	N	NPT		Activated	H	Manual drain	B	W/I bracket	A	Anti-acid & alkali bowl		
04	1/2"				Charcoal						Aluminum bowl (1/4"-1/2")		
06	3/4"				filter element								
08	1"												

Specifications

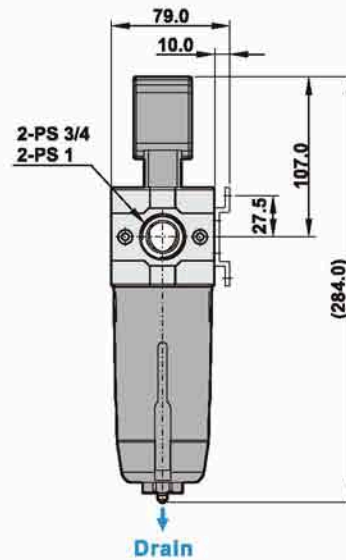
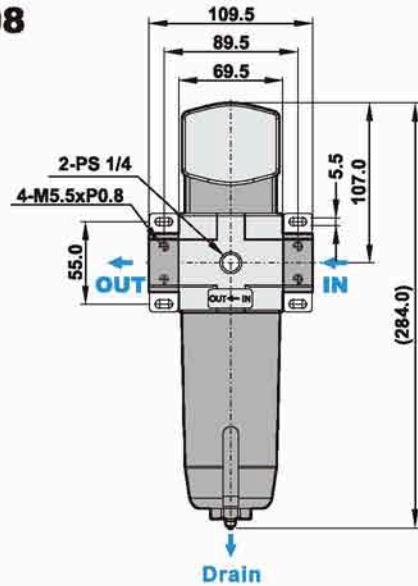
Model	UMF-02	UMF-03	UMF-04	UMF-06	UMF-08
Port size	1/4"	3/8"	1/2"	3/4"	1"
Fluid	Compressed air				
Body material	Aluminum die-cast				
Bowl material	Polycarbonate (Standard), Anti-acid & alkali bowl (Option), Aluminum bowl (Option)				
Filtration	0.01 μ m(Standard)				
Operating pressure range	0.5 ~ 10 kgf/cm ²				
Max. inlet pressure	15 kgf/cm ²				
Max. flow rate l/min(6kgf/cm ²)	2050	2100	2150	3800	3850
Ambient temperature	-10 $^{\circ}$ C ~ 60 $^{\circ}$ C				
Filter bowl capacity		65cc			115cc
Standard drain	Semi-auto drain (Drains below 0.5kgf/cm ²)				
Net weight		600g			1200g

Dimensions

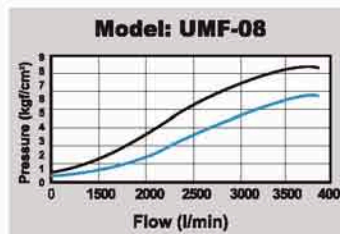
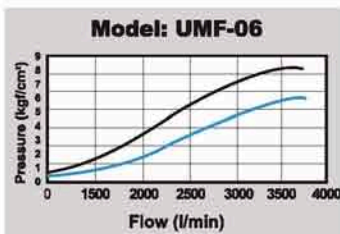
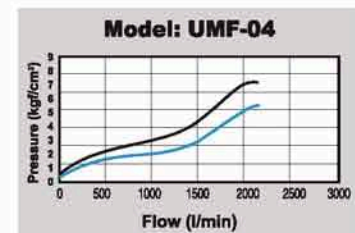
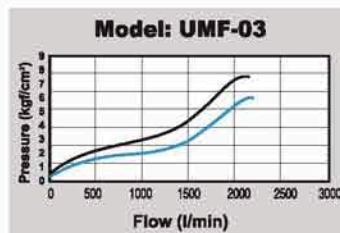
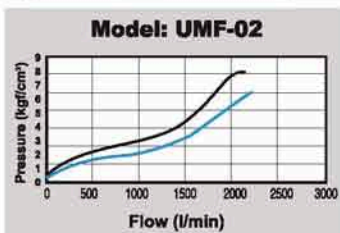
UMF-02, 03, 04



UMF-06, 08



Flow chart



Note:

X axis: Flow
 Y axis: Pressure
 Blue line (P0) = Outlet pressure
 Black line (P1) = Inlet pressure
 P1-P0= Pressure range

ADDITIONAL