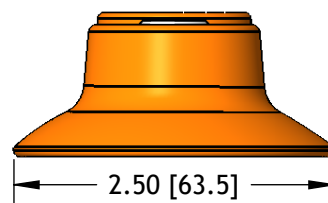
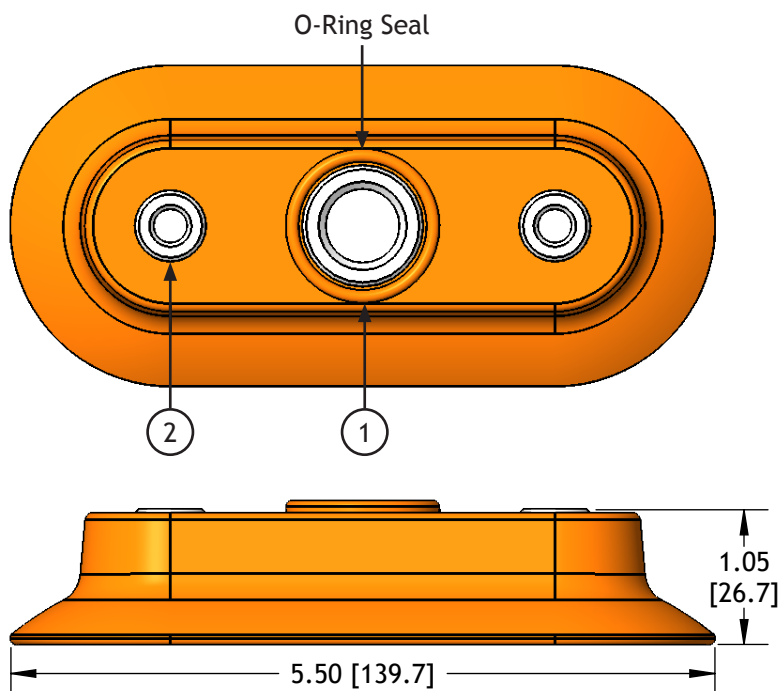


Oval Vacuum Cups

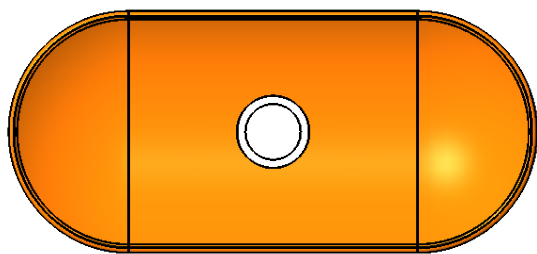
Cup Style		Cup Material	Threads	
OC		-60X140-	S	-G
OC	Concave	N	Nitrile	(Blank) NPTF Threads
OF	Flat	S	Silicone	-G G Threads

²All figures for shear load are 18"Hg. using a 0.5 coefficient of friction. Adjust coefficient of friction to suit your conditions, then apply a generous factor of safety (3:1 or greater) to shear loads.

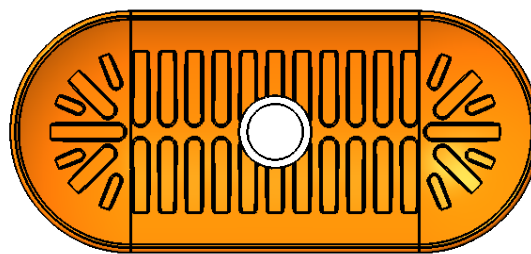


	OC	OF
Cup Dimensions: in [mm]	60 mm X 140 mm	
Stroke: in [mm]	0.29 [7.4]	0.18 [4.6]
Cup Weight: oz [g]	4.10 [116.0]	4.20 [119.0]
Internal Volume: cu in [cc]	3.20 [52.4]	3.00 [49.2]
Force @ 6 inHG: lb [n]	29.00 [129.0]	
Force @ 18 inHG: lb [n]	83.00 [369.0]	
Minimum Radius: in [mm]	1.50 [38.1]	3.00 [76.2]
Shear Load ² : lb [n]	41.00 [182.0]	

Code	Function	NPTF	G
1	Vacuum Port	3/8-18 NPTF	G 3/8-19
2	Mounting Holes	5/16-18 UNC	M8X1.25



OC-60X140



OF-60X140