

Non-Rotating Original Line Air Cylinders

Bimba's new Non-Rotating Original Line stainless steel body air cylinder design consists of a unique square piston rod with rounded corners. The square rod prevents rotation better than other rod configurations, and the rounded corners provide longer seal life than conventional hexagon rods. The unusual geometry of the square rod also provides superior rotation control. All bore sizes have a rotational control of less than or equal to ± 3 degrees. The special high strength aluminum alloy rod guide provides high load carrying capability and abrasion resistance. The urethane-based rod seal provides excellent seal life and leak-free service. The Non-Rotating Original Line cylinder is dimensionally interchangeable with the standard Original Line stainless steel cylinder.

9/16" Bore Non-Rotating Air Cylinders

- **New!** Stainless Steel Piston Rod Standard.
- Unique Square Piston Rod with Rounded Corners.
- High Strength Aluminum Alloy Rod Guide.
- Urethane-based Rod Seal.
- Buna N "U" Cup Piston Seal.
- Pressure Rating - 250 PSI Maximum (Air only)
- Available in Double Acting and Reverse Acting Models.
- Enclosed Spring Force: 2 lbs. Relaxed - 4 lbs. Compressed.
- Standard Buna N Seals Temperature Range of -20°F (-25°C) to 200°F (95°C)

Enter Stroke Length as 3rd Digit

OPTIONS

NO CHARGE:

- **MAGNALUBE[®] G (G)**
- **SIDE PORTED REAR HEAD (Q)**
- **PORTS ROTATED (K)**

REVERSE ACTING BUMPERS (B)

- \$3.05 additional
- Add .062 to overall length

DOUBLE ACTING BUMPERS (B)

- \$4.25 additional
- Add .125 to overall length

MOLYCOATED BODY (F)

- Add \$2.65 per inch of stroke

EXTRA EXTENSION (EE)

- Add \$0.90 per inch of extension


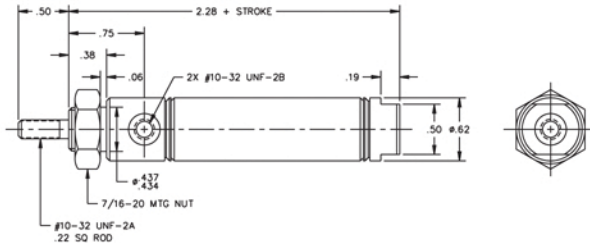
MAGNET (prefix M) - Add \$9.70

- Reverse acting add .125" to overall length
- Must specify track(s) for use with miniature position sensing (T2, T3, T4) – add \$2.75 per track. See Related Products, page 8.12 for details.

HIGH TEMPERATURE SEALS (V)

Temperature Range : 0° to 400°F (-18° to 205°C)

- Double acting, add \$11.00
- Reverse acting, add \$7.65

MODEL/PRICE	DESCRIPTION/WEIGHT (lbs.)	DIMENSIONS
NR-02 <input type="checkbox"/> -D 	Double Acting – Air Return-Front Nose Mounting Standard Stroke Lengths: ½", 1", 1½", 2", 2½", 3", 4" Maximum Stroke 10" Optional Accessory: D-770 Mounting Bracket Base Weight: .09 Adder Per Inch of Stroke: .02	

[®]Magnalube is a registered trademark of the Carleton-Stuart Corporation.