

# ODE SOLENOID - 31A1A-R

3 way N.C. | Direct Acting

**PRESENTATION:**

Direct acting S.V. for interception of fluids compatible with the construction materials.

A minimum operational pressure is not required.

The materials used and the tests carried out ensure maximum reliability and duration.

**PIPES:** Subplate mounting

**USE:** Hot water, Steam (180°C)

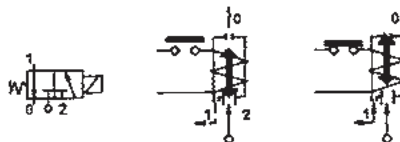
**COILS:**

8W - Ø13

BDA - BDS - BSA	155°C	(class F)
BDP	160°C	(high temp.)
BDF	180°C	(class H)
SDH	180°C	(class H)



Max. allowable pressure (PS)	40 bar
Environment temperature:	
With coil class F and high temperature	- 40°C + 60°C
With coil class H	- 40°C + 80°C



Gaskets	Temperature	Medium
R=RUBY	- 40°C + 180°C	Hot water, Steam

Pipe	Code	Max viscosity		Ø mm	Kv l/mn	Power (watt)	Pressure		
		cSt	°E				minM bar	.O.P.D. AC bar DC bar	
SUBPLATE MOUNTING	31A1AR10	-	-	1*	0,45	8	0	20	20
	31A1AR15			15	15				
	31A1AR20			10	10				
	31A1AR25			6	6				

Note: \* 3rd way exhaust= Ø 2,5 mm

Also available with brass body without lead.

The use of rigid sealings usually implies a slight leakage, limited within 2scc/min at the pressure of 1 bar  
The "ODE" reserves the right to carry out technical and aesthetic modifications without prior notification.



**MATERIALS:**

Body	Brass - UNI EN 12165 CW617N
Armature tube	Stainless steel AISI series 300
Fixed core	Stainless steel AISI series 400
Plunger	Stainless steel AISI series 400
Phase displacement ring	Copper - Cu 99,9%
Spring	Stainless steel AISI series 300
Seal	Standard: R=Ruby

**ORIFICE:** Insert slot                      Stainless steel AISI series 300

**ON REQUEST:**

Connector	Please request
Connector conformity	ISO 4400

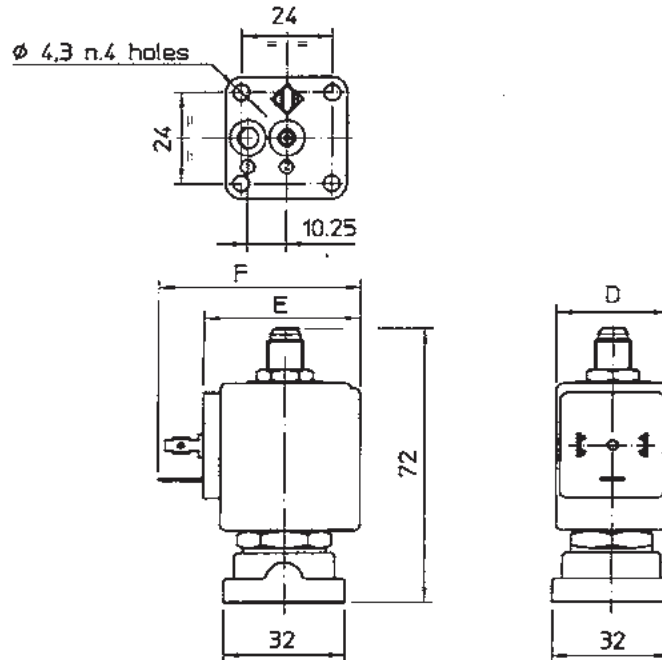
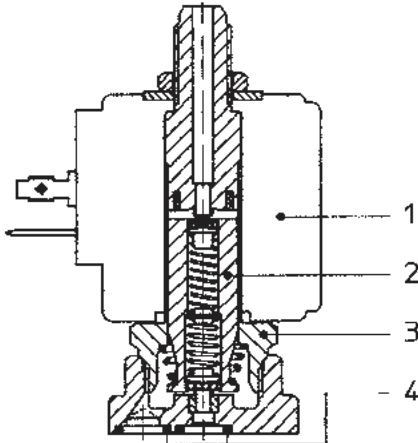
**FEATURES:**

Electrical conformity	IEC 335
Protection degree	IP65 EN 60529 (DIN 40050) with coil fitted by connector.

**SPARE PARTS:**

1. Coil: See coils list
2. Complete plunger: Code R450873
3. Complete armature tube: Code R450944/AL
4. Gasket O-Ring: Code R990002/S

**KIT:** KT130 AR 30 - A = 2+3



COIL	POWER ABSORPTION		TYPE	DIMENSIONS		
	W	Inrush VA~		Hold VA~	D mm	E mm
8 W	25	14,5	B	30	42	54
			S	32		

**3-WAY**  
DIRECT ACTING

# ODE SOLENOID - 31JN1XP

Hose Connection Exhaust | 3 way N.C. | Direct Acting

**PRESENTATION:**

Direct acting S.V. for interception of fluids compatible with the construction materials.  
A minimum operational pressure is not required.  
The materials used and the tests carried out ensure maximum reliability and duration.

**PIPES:** G1/8

**USE:** Automation, Heating

**COILS:**

5W - Ø10

LBA 155°C (class F)

LBF 160°C (class H)

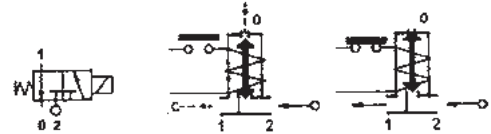
**Moulding and bobbin are made by 100% virgin material**

Max. allowable pressure (PS) 40 bar

Environment temperature:

With coil class F and high temperature - 10°C + 60°C

With coil class H - 10°C + 80°C



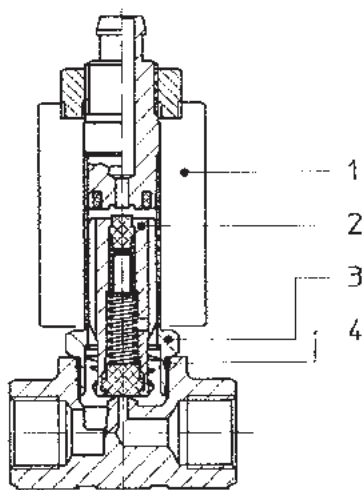
Gaskets	Temperature		Medium
V=FKM (fluoroelastomer)	- 10°C	+ 140°C	Mineral oils (2°E), gasoline gas oil, fuel oils (5°E)

Pipe ISO 228/1	Code	Max viscosity		Ø mm	Kv l/mn	Power (watt)	Pressure		
		cSt	°E				min bar	M.O.P.D. AC bar DC bar	
G 1/8	31JN1XPV12	12	~ 2	1,2*	1	5	0	15	-
	31JN1XPV23	37	~ 5	2,3*	2,3		5		

Note: \* 3rd way exhaust= Ø 1,7mm

Also available with brass body without lead.

“ODE” reserves the right to carry out technical and aesthetic modifications without prior notification.



**MATERIALS:**

Body	Brass
Armature tube	Stainless steel AISI series 300
Fixed core	Stainless steel AISI series 400
Plunger	Stainless steel AISI series 400
Phase displacement ring	Copper - Cu 99,9%
Spring	Stainless steel AISI series 300
Seal	Standard: V=FKM

**ORIFICE:** Brass

**ON REQUEST:**

Connector	Please request
Connector conformity	ISO 4400

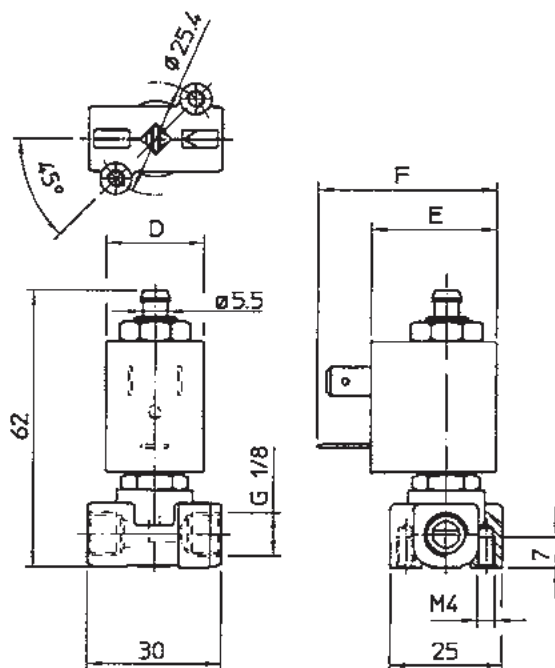
**FEATURES:**

Electrical conformity	IEC 335
Protection degree	IP65 EN 60529 (DIN 40050) with coil fitted by connector.

**SPARE PARTS:**

1. Coil: See coils list
2. Complete plunger: Code R4502061/V
3. Complete armature tube: Code R452095
4. Gasket O-Ring: Code R990597/V

**KIT:** KT100XPV25 - IJ = 2+3+4



COIL	POWER ABSORPTION		TYPE	DIMENSIONS		
	W	Inrush VA~		Hold VA~	D mm	E mm
5W	15	11	L	22	27,5	39,5

**3-WAY  
DIRECT ACTING**

# ODE SOLENOID - 31A3A to 31A2A

3 way N.C. | Direct Acting

**PRESENTATION:**

Direct acting S.V. for interception of fluids compatible with the construction materials.  
A minimum operational pressure is not required.  
The materials used and the tests carried out ensure maximum reliability and duration.

**PIPES:** G1/8 - G1/4

**USE:** Automation, Heating

**COILS:**

8W - Ø13*		
BDA - BDS - BSA	155°C	(class F)
BDP	160°C	(high temp.)
BDF	180°C	(class H)
SDH	180°C	(class H)

\*Explosion proof housing for coils with electrical connections EN 175301-803 on request.



Max. allowable pressure (PS)                      40 bar  
Environment temperature:  
With coil class F and high temperature       - 10°C + 60°C  
With coil class H                                       - 10°C + 80°C

Gaskets	Temperature		Medium
	-10°C	+140°C	
V=FKM (fluoroelastomer)	-10°C	+140°C	Mineral oils (2°E), gasoline, gas oil
B=NBR (nitrile rubber)	-10°C	+90°C	Air, inert gas, water

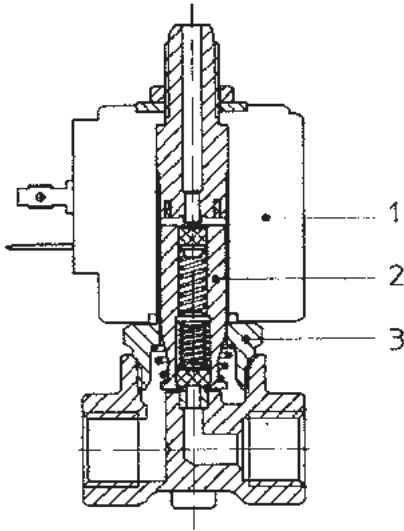
**HIGHLIGHTED ITEMS ARE EX STOCK**

For seals other than FKM replace the letter "V" with the ones corresponding to the other seals. i.e. 31A3AB15.

Pipe ISO 228/1	Code	Max viscosity		Ø mm	Kv l/mn	Power (watt)	Pressure		
		cSt	°E				min bar	M.O.P.D. AC bar DC bar	
G 1/8	31A3AV10	12	~ 2	1*	0,45	8	0	20	20
	<b>31A3AV15</b>			1,5*	1,4			15	15
	31A3AV20	53	~ 7	2*	2			10	10
	31A3AV25			2,5*	3,2			6	6
	31A3AV30			3*	4			5	5
G 1/4	31A2AR10	12	~ 2	1*	0,45			20	20
	31A2AV15			1,5*	1,4			15	15
	<b>31A2AV20</b>	53	~ 7	2*	2			10	10
	31A2AV25			2,5*	3,2			6	6
	31A2AV30			3*	4			5	5

Note: \* 3rd way exhaust= Ø 2,5 mm  
Also available with brass body without lead.  
"ODE" reserves the right to carry out technical and aesthetic modifications without prior notification.

**3-WAY  
DIRECT ACTING**



**MATERIALS:**

- |                         |                                      |
|-------------------------|--------------------------------------|
| Body                    | Brass - UNI EN 12165 CW617N          |
| Armature tube           | Stainless steel AISI series 300      |
| Fixed core              | Stainless steel AISI series 400      |
| Plunger                 | Stainless steel AISI series 400      |
| Phase displacement ring | Copper - Cu 99,9%                    |
| Spring                  | Stainless steel AISI series 300      |
| Seal                    | Standard: V=FKM<br>On request: B=NBR |

**ORIFICE:** Insert slot                                      Stainless steel AISI series 300

**ON REQUEST:**

- |                      |                |
|----------------------|----------------|
| Connector            | Please request |
| Connector conformity | ISO 4400       |

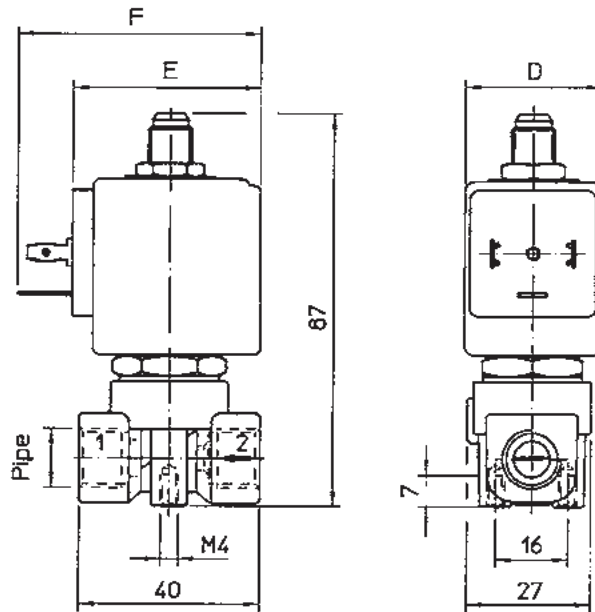
**FEATURES:**

- |                       |   |
|-----------------------|---|
| Electrical conformity | IEC 335   |
| Protection degree     | IP65 EN 60529 (DIN 40050)<br>with coil fitted by connector. |

**SPARE PARTS:**

1. Coil: See coils list
2. Complete plunger: Code R450675/V
3. Complete armature tube: Code R450944

**KIT:** KT130 AV 30 - A = 2+3



Type	Pipe ISO 228/1
31A3AV	G 1/8
31A2AV	G 1/4

COIL		POWER ABSORPTION		TYPE	DIMENSIONS		
W	Inrush VA~	Hold VA~	D mm		E mm	F mm	
8 W	25	14,5	B	30	42	54	
			S	32			

**3-WAY  
DIRECT ACTING**