

Standard series

General catalogue

KNOCKS

Manufacturer
competence

www.knocks.de

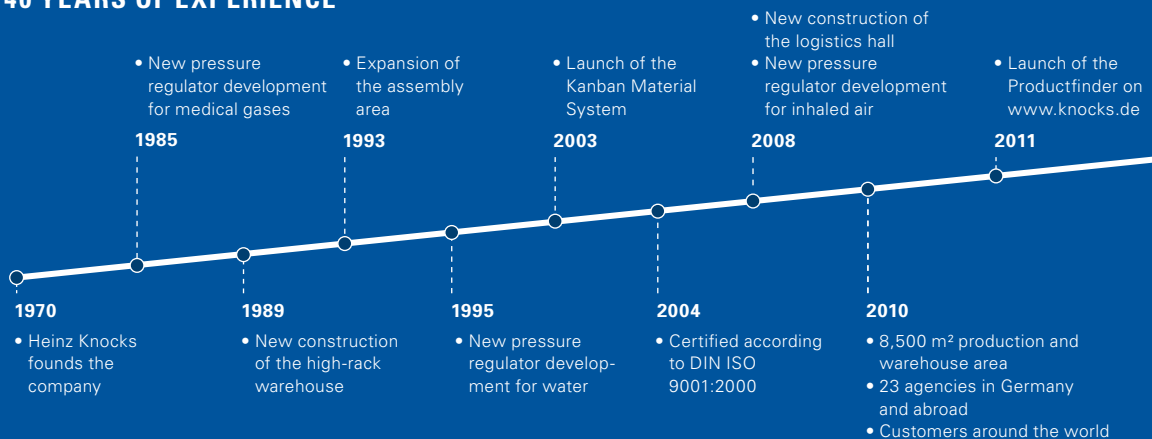
Robust, solid and extremely tough.

The KNOCKS Standard series.

KNOCKS

Regulation inspiration for you.

40 YEARS OF EXPERIENCE



The Standard series: For toughest requirements.

ONLY THE BEST IS GOOD ENOUGH FOR YOU?

Do you require intelligent problem solving? We will regulate it! As one of the leading manufacturers of compressed-air regulator systems and filter technology, we have been driving momentum in the industry for over 40 years. We deliver competent answers to your questions in all areas of compressed-air conditioning – providing not only expertise for a competitive edge, but also fair conditions.

OUR STANDARD SERIES

Our Standard series made of die-cast zinc has proven itself in tough everyday practice. Shockproof, it shows its true size, and not only in terms of its dimensions. The units in this series can master up to 3-inch connections and higher flow rate volumes with absolute assurance.



Our production – professional and committed.



At home in tough everyday practice: the Standard series.

Quality, purity, quantity and composition all play a decisive role in compressed-air conditioning. Each production process has very specific requirements, which the various KNOCKS products of the Standard series fulfil in an individual and highly secure manner.



Service 3 unit

BG0 | BG1 | BG2 | BG3 | BG5 | BG7 | BG8

Service 2 unit

BG0 | BG1 | BG2 | BG3 | BG5

Filter regulator

BG0 | BG1 | BG2 | BG3 | BG5

Filter

BG0 | BG1 | BG2 | BG3 | BG5 | BG8 | BG9

Pressure regulator

BG0 | BG1 | BG2 | BG3 | BG5 | BG7 | BG8

Lubricator

BG0 | BG1 | BG2 | BG3 | BG5 | BG8

Accessories

BG0 | BG1 | BG2 | BG3 | BG5 | BG7 | BG8 | BG9

Special products

BG0 | BG1 | BG2 | BG3 | BG5 | BG7 | BG8 | BG9

Service 3 unit

Service 2 unit

Filter regulator

Filter

Pressure regulator

Lubricator

Accessories

Special products

Service 3 unit | BG1



Image shows:
9.3011.00.005.0V

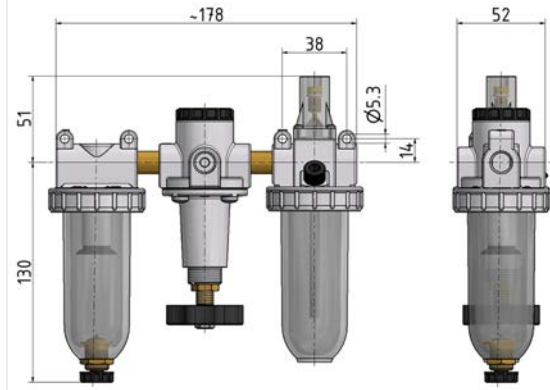
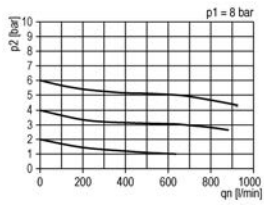
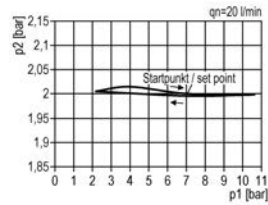


Image shows:
9.3011.00.005.0V

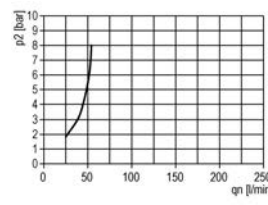
flow characteristic



pressure characteristic



lubricator operating limit



symbol



technical data

- **description:** sinter filter centrifugal principle, diaphragm-type pressure with relieving feature, proportional oiler
- **medium:** compressed air, neutral gases
- **supply pressure P1 min.:** 1,5 bar
- **supply pressure P1 max.:** 16 bar
- **temperature range:** -10°C - +60°C
- **bowl:** PC
- **drain:** HA3
- **mounting:** vertical
- **filter element:** 5 µm
- **bowl volume lubricator:** 40 cm³
- **oil metering qv=1.000l/min:** 1 - 2 drops/min
- **oil type:** CL 32 DIN 51517 - ISO VG 32

accessories



- **mounting bracket:** [BW.10](#)

- **control panel mounting:** nut DR.11-7

type	part-number	description
FRO.11 HA3	9.3011.00.005.0V	Service 3 unit G1/4 0,5-10 5µm with PC bowl and semi automatic drain
FRO.12 HA3	9.3012.00.005.0V	Service 3 unit G3/8 0,5-10 5µm with PC bowl and semi automatic drain

Service 3 unit

Service 2 unit

Filter regulator

Filter

Pressure regulator

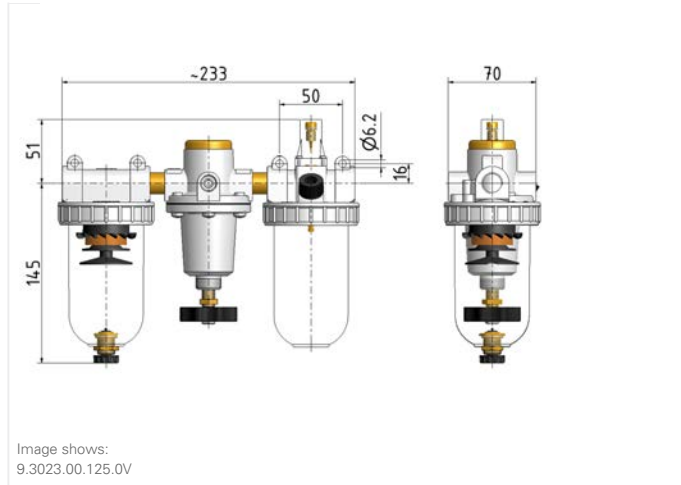
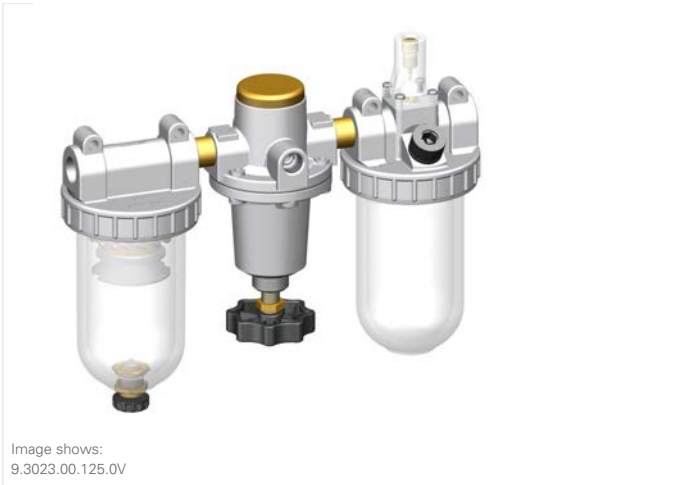
Lubricator

System extensions

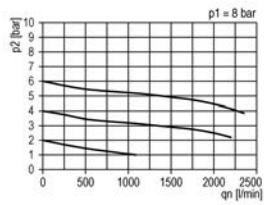
Accessories

Special products

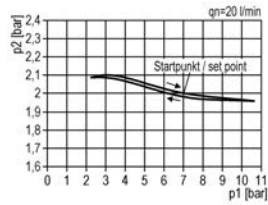
Service 3 unit | BG2



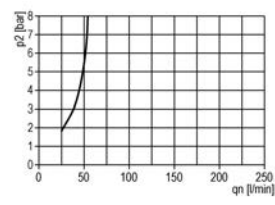
flow characteristic



pressure characteristic



lubricator operating limit



symbol



technical data

- **description:** sinter filter centrifugal principle, diaphragm-type pressure with relieving feature, proportional oiler
- **medium:** compressed air, neutral gases
- **supply pressure P1 min.:** 1,5 bar
- **supply pressure P1 max.:** 16 bar
- **temperature range:** -10°C - +60°C
- **bowl:** PC
- **drain:** HA3
- **mounting:** vertical
- **filter element:** 40 µm
- **bowl volume lubricator:** 110 cm³
- **oil metering qv=1.000l/min:** 1 - 2 drops/min
- **oil type:** CL 32 DIN 51517 - ISO VG 32

accessories



- **mounting bracket:** [BW.20](#)

- **control panel mounting:** nut DR.11-7

type

FRO.23 HA3

part-number

9.3023.00.125.0V

description

Service 3 unit G1/2 0,5-10 40µm with PC bowl and semi automatic drain

Service 3 unit | BG3

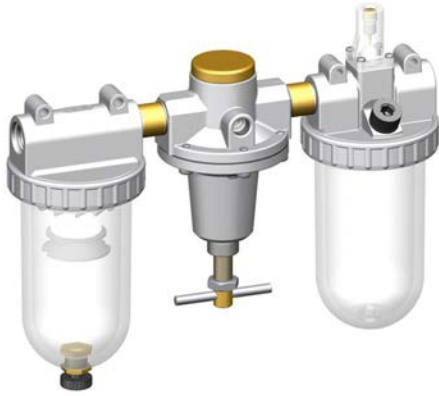


Image shows:
9.3033.00.005.0V

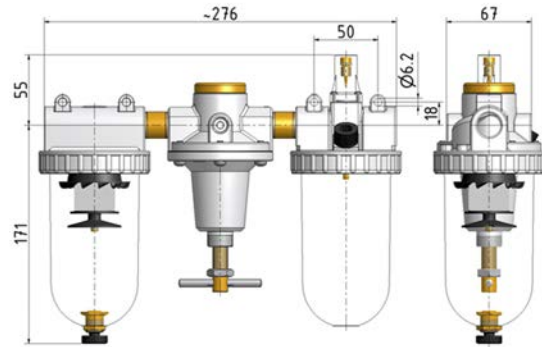
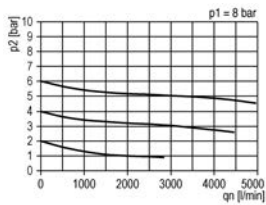
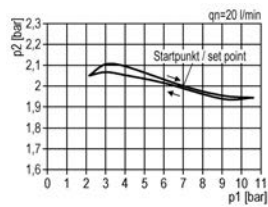


Image shows:
9.3033.00.005.0V

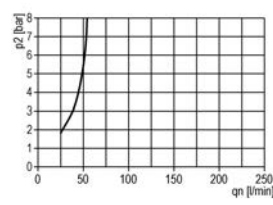
flow characteristic



pressure characteristic



lubricator operating limit



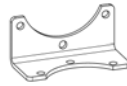
symbol



technical data

- **description:** sinter filter centrifugal principle, diaphragm-type pressure with relieving feature, proportional oiler
- **medium:** compressed air, neutral gases
- **supply pressure P1 min.:** 1,5 bar
- **supply pressure P1 max.:** 16 bar
- **temperature range:** -10°C - +60°C
- **bowl:** PC
- **drain:** HA3
- **mounting:** vertical
- **filter element:** 5 µm
- **bowl volume lubricator:** 135 cm³
- **oil metering qv=1.000l/min:** 1 - 2 drops/min
- **oil type:** CL 32 DIN 51517 - ISO VG 32

accessories



- mounting bracket: [BW.30](#)

- control panel mounting: nut DR.11-7

type	part-number	description
FRO.33 HA3	9.3033.00.005.0V	Service 3 unit G1/2 0,5-10 5µm with PC bowl and semi automatic drain
FRO.33 AM10 B	9.3033.00.013.0V	Service 3 unit G1/2 0,5-10 5µm with PC bowl, bowl guard and automatic drain

Service 3 unit

Service 2 unit

Filter regulator

Filter

Pressure regulator

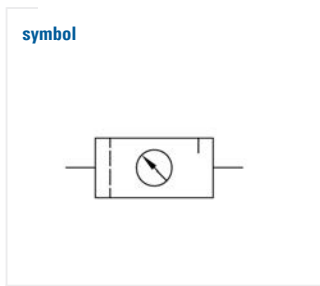
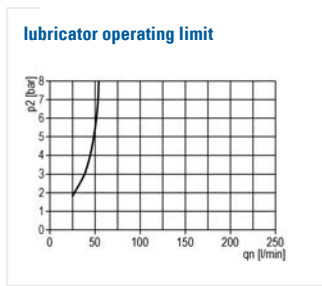
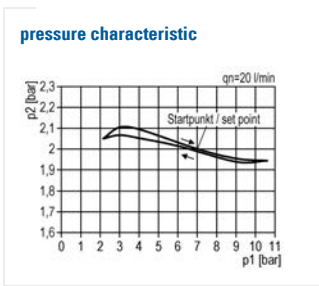
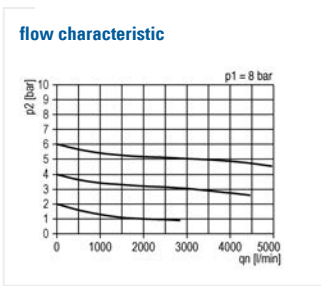
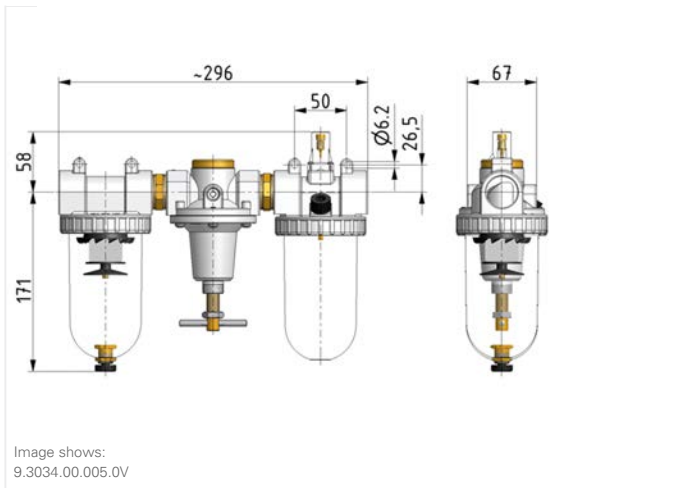
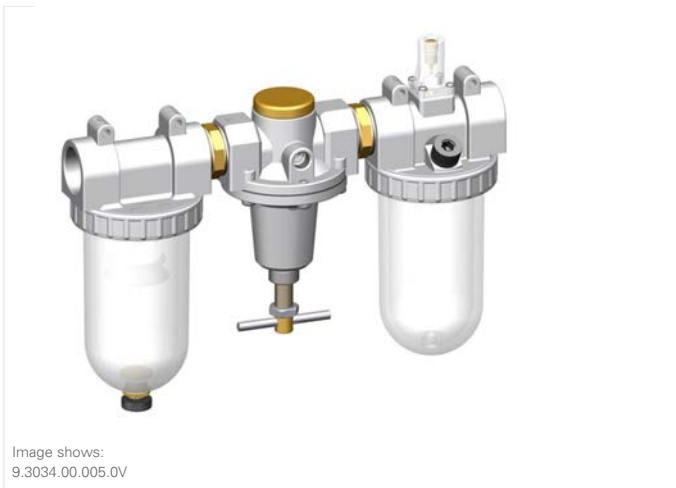
Lubricator

System extensions

Accessories

Special products

Service 3 unit | BG3



technical data

- **description:** sinter filter centrifugal principle, diaphragm-type pressure with relieving feature, proportional oiler
- **medium:** compressed air, neutral gases
- **supply pressure P1 min.:** 1,5 bar
- **supply pressure P1 max.:** 16 bar
- **temperature range:** -10°C - +60°C
- **bowl:** PC
- **drain:** HA3
- **mounting:** vertical
- **filter element:** 5 µm
- **bowl volume lubricator:** 135 cm³
- **oil metering qv=1.000l/min:** 1 - 2 drops/min
- **oil type:** CL 32 DIN 51517 - ISO VG 32

accessories

- **mounting bracket:** [BW.30](#)
- **control panel mounting:** nut DR.11-7

type	part-number	description
FRO.34 HA3	9.3034.00.005.0V	Service 3 unit G3/4 0,5-10 5µm with PC bowl and semi automatic drain
FRO.35 HA3	9.3035.00.005.0V	Service 3 unit G1 0,5-10 5µm with PC bowl and semi automatic drain
FRO.35 HA3 B	9.3035.00.008.0V	Service 3 unit G1 0,5-10 5µm with PC bowl, bowl guard and semi automatic drain
FRO.35 AM10	9.3035.00.010.0V	Service 3 unit G1 0,5-10 5µm with PC bowl and automatic drain

Service 3 unit | BG5



Image shows:
9.3055.00.125.0V

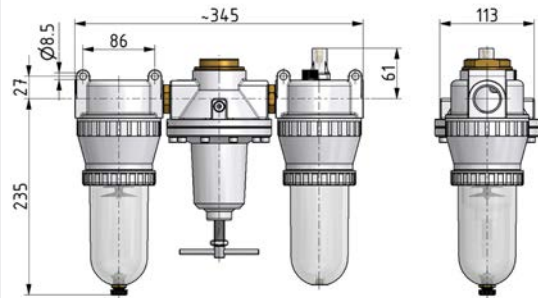
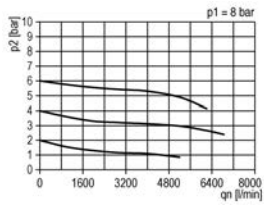
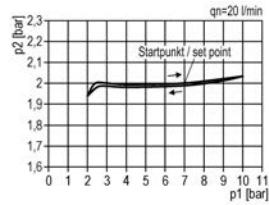


Image shows:
9.3055.00.125.0V

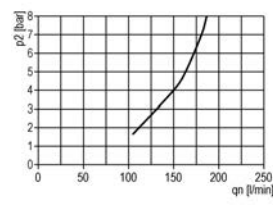
flow characteristic



pressure characteristic



lubricator operating limit



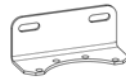
symbol



technical data

- **description:** sinter filter centrifugal principle, diaphragm-type pressure with relieving feature, proportional oiler
- **medium:** compressed air, neutral gases
- **supply pressure P1 min.:** 1,5 bar
- **supply pressure P1 max.:** 16 bar
- **temperature range:** -10°C - +60°C
- **bowl:** PC
- **drain:** HA3
- **mounting:** vertical
- **filter element:** 40 µm
- **bowl volume lubricator:** 550 cm³
- **oil metering qv=1.000l/min:** 1 - 2 drops/min
- **oil type:** CL 32 DIN 51517 - ISO VG 32

accessories



- **mounting bracket:** [BW.50](#)

type

FRO.55 HA3

part-number

9.3055.00.125.0V

description

Service 3 unit G1 0,5-10 40µm with PC bowl and semi automatic drain

Service 3 unit | BG8



Image shows:
9.3088.00.125.0

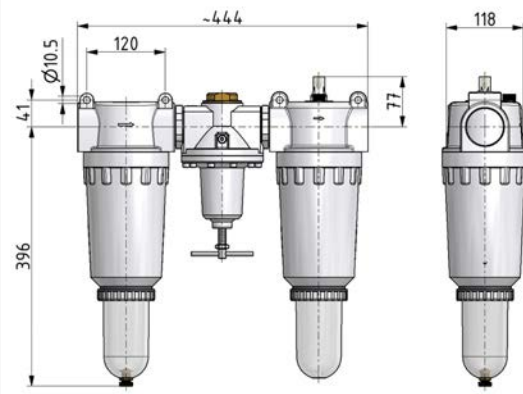
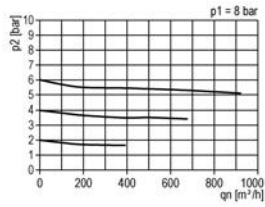
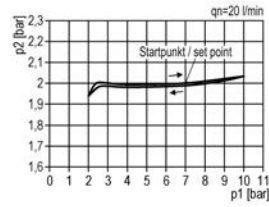


Image shows:
9.3088.00.125.0

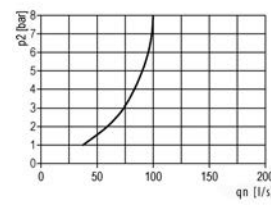
flow characteristic



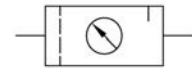
pressure characteristic



lubricator operating limit



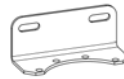
symbol



technical data

- **description:** sinter filter centrifugal principle, diaphragm-type pressure with relieving feature, proportional oiler
- **medium:** compressed air, neutral gases
- **supply pressure P1 min.:** 1,5 bar
- **supply pressure P1 max.:** 16 bar
- **temperature range:** -10°C - +60°C
- **bowl:** PC
- **drain:** HA3
- **mounting:** vertical
- **filter element:** 60 µm
- **bowl volume lubricator:** 1700 cm³
- **oil metering qv=1.000l/min:** 1 - 2 drops/min
- **oil type:** CL 32 DIN 51517 - ISO VG 32

accessories



- **mounting bracket:** [BW.50](#)

type	part-number	description
FRO.88 HA3	9.3088.00.125.0	Service 3 unit G2 0,5-10 60µm with PC bowl and semi automatic drain
FRO.88 M HA3	9.3088.00.127.0	Service 3 unit G2 0,5-10 60µm with metal bowl and semi automatic drain
FRO.88 HA3 B	9.3088.00.128.0	Service 3 unit G2 0,5-10 60µm with PC bowl, bowl guard and semi automatic drain
FRO.88 M AM10	9.3088.00.132.0	Service 3 unit G2 0,5-10 60µm with metal bowl and automatic drain
FRO.88 AM10 B	9.3088.00.133.0	Service 3 unit G2 0,5-10 60µm with PC bowl, bowl guard and automatic drain

Service 2 unit | BGO



Image shows:
9.3100.00.005.0V

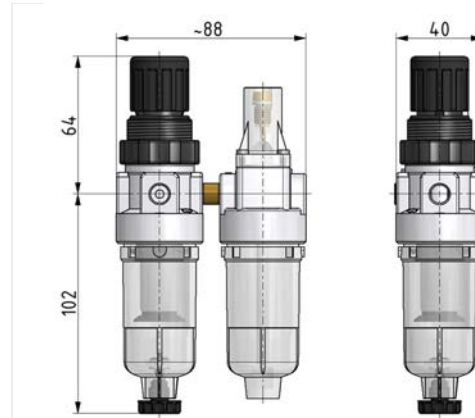
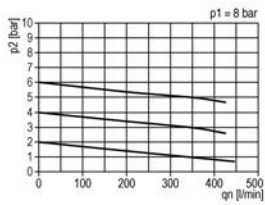
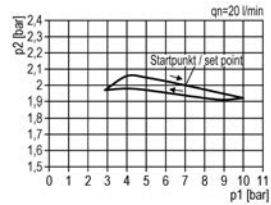


Image shows:
9.3100.00.005.0V

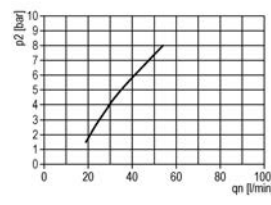
flow characteristic



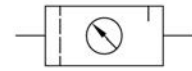
pressure characteristic



lubricator operating limit



symbol



technical data

- **description:** sinter filter centrifugal principle, diaphragm-type pressure with relieving feature, proportional oiler
- **medium:** compressed air, neutral gases
- **supply pressure P1 min.:** 1,5 bar
- **supply pressure P1 max.:** 16 bar
- **temperature range:** -10°C - +60°C
- **bowl:** PC
- **drain:** HA
- **mounting:** vertical
- **filter element:** 5 µm
- **bowl volume lubricator:** 17 cm³
- **oil metering qv=1.000l/min:** 1 - 2 drops/min
- **oil type:** CL 32 DIN 51517 - ISO VG 32

accessories

- 
- **control panel mounting:**
[WH.M.30/DR.00-34](#)

type	part-number	description
FDO.00 HA4	9.3100.00.005.0V	Service 2 unit G1/8 0,5-10 5µm with PC bowl and semi automatic drain
FDO.01 HA4	9.3101.00.005.0V	Service 2 unit G1/4 0,5-10 5µm with PC bowl and semi automatic drain
FDO.01 M HA4	9.3101.00.007.0V	Service 2 unit G1/4 0,5-10 5µm with metal bowl and semi automatic drain

Service 3 unit

Service 2 unit

Filter regulator

Filter

Pressure regulator

Lubricator

System extensions

Accessories

Special products

Service 2 unit | BG1



Image shows:
9.3112.00.005.0V

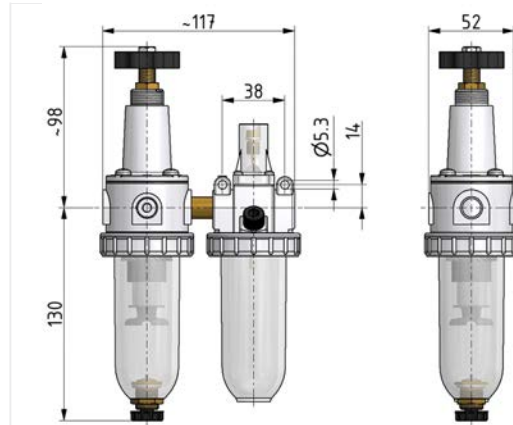
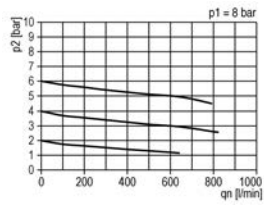
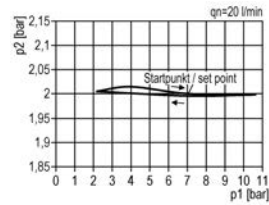


Image shows:
9.3112.00.005.0V

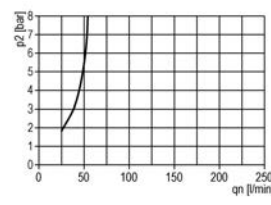
flow characteristic



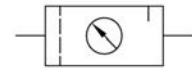
pressure characteristic



lubricator operating limit



symbol



technical data

- **description:** sinter filter centrifugal principle, diaphragm-type pressure with relieving feature, proportional oiler
- **medium:** compressed air, neutral gases
- **supply pressure P1 min.:** 1,5 bar
- **supply pressure P1 max.:** 16 bar
- **temperature range:** -10°C - +60°C
- **bowl:** PC
- **drain:** HA3
- **mounting:** vertical
- **filter element:** 5 µm
- **bowl volume lubricator:** 40 cm³
- **oil metering qv=1.000l/min:** 1 - 2 drops/min
- **oil type:** CL 32 DIN 51517 - ISO VG 32

accessories



- **mounting bracket:** [BW.10](#)

- **control panel mounting:** nut DR.11-7

type	part-number	description
FDO.12 HA3	9.3112.00.005.0V	Service 2 unit G3/8 0,5-10 5µm with PC bowl and semi automatic drain
FDO.12 M HA3	9.3112.00.007.0V	Service 2 unit G3/8 0,5-10 5µm with metal bowl and semi automatic drain
FDO.12 HA3 B	9.3112.00.008.0V	Service 2 unit G3/8 0,5-10 5µm with PC bowl, bowl guard and semi automatic drain

Service 2 unit | BG2



Image shows:
9.3122.00.125.0V

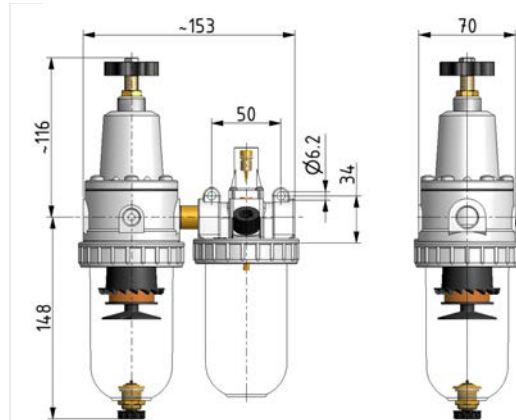
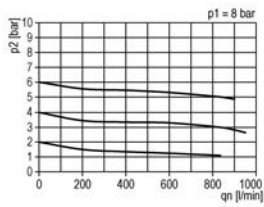
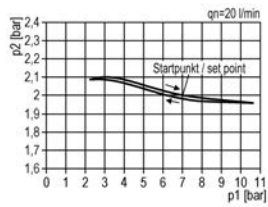


Image shows:
9.3122.00.125.0V

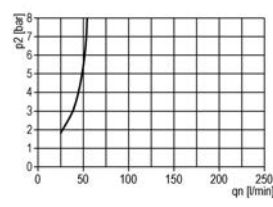
flow characteristic



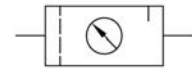
pressure characteristic



lubricator operating limit



symbol



technical data

- **description:** sinter filter centrifugal principle, diaphragm-type pressure with relieving feature, proportional oiler
- **medium:** compressed air, neutral gases
- **supply pressure P1 min.:** 1,5 bar
- **supply pressure P1 max.:** 16 bar
- **temperature range:** -10°C - +60°C
- **bowl:** PC
- **drain:** HA3
- **mounting:** vertical
- **filter element:** 40 µm
- **bowl volume lubricator:** 110 cm³
- **oil metering qv=1.000l/min:** 1 - 2 drops/min
- **oil type:** CL 32 DIN 51517 - ISO VG 32

accessories



- mounting bracket: [BW.20](#)
- control panel mounting: nut DR.11-7

type	part-number	description
FDO.22 HA3	9.3122.00.125.0V	Service 2 unit G3/8 0,5-10 40µm with PC bowl and semi automatic drain
FDO.23 HA3	9.3123.00.125.0V	Service 2 unit G1/2 0,5-10 40µm with PC bowl and semi automatic drain

Service 3 unit

Service 2 unit

Filter regulator

Filter

Pressure regulator

Lubricator

System extensions

Accessories

Special products

Service 2 unit | BG3



Image shows:
9.3133.00.005.0V

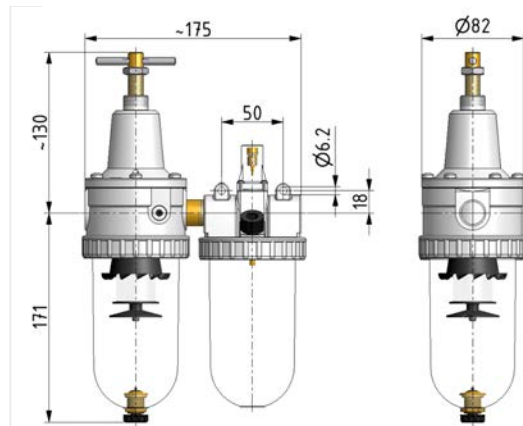
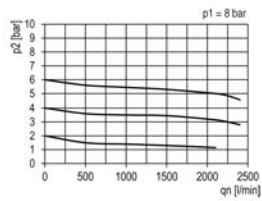
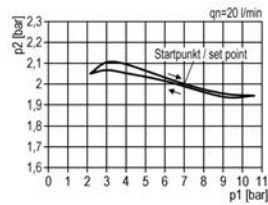


Image shows:
9.3133.00.005.0V

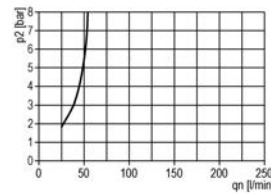
flow characteristic



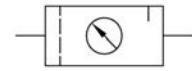
pressure characteristic



lubricator operating limit



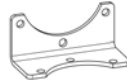
symbol



technical data

- **description:** sinter filter centrifugal principle, diaphragm-type pressure with relieving feature, proportional oiler
- **medium:** compressed air, neutral gases
- **supply pressure P1 min.:** 1,5 bar
- **supply pressure P1 max.:** 16 bar
- **temperature range:** -10°C - +60°C
- **bowl:** PC
- **drain:** HA3
- **mounting:** vertical
- **filter element:** 5 µm
- **bowl volume lubricator:** 135 cm³
- **oil metering qv=1.000l/min:** 1 - 2 drops/min
- **oil type:** CL 32 DIN 51517 - ISO VG 32

accessories



- **mounting bracket:** [BW.30](#)

- **control panel mounting:** nut DR.11-7

type	part-number	description
FDO.33 HA3	9.3133.00.005.0V	Service 2 unit G1/2 0,5-10 5µm with PC bowl and semi automatic drain
FDO.33 M HA3	9.3133.00.007.0V	Service 2 unit G1/2 0,5-10 5µm with metal bowl and semi automatic drain
FDO.33 HA3 B	9.3133.00.008.0V	Service 2 unit G1/2 0,5-10 5µm with PC bowl, bowl guard and semi automatic drain
FDO.33 AM10	9.3133.00.010.0V	Service 2 unit G1/2 0,5-10 5µm with PC bowl and automatic drain

Service 2 unit | BG5



Image shows:
9.3155.00.125.0

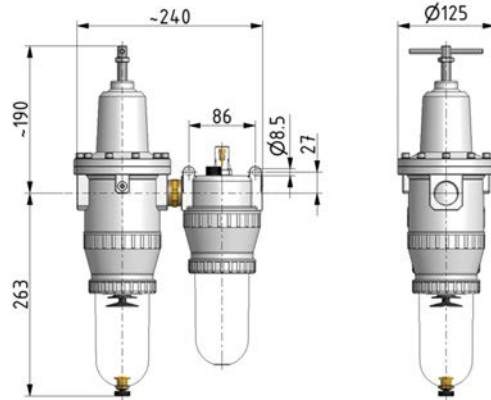
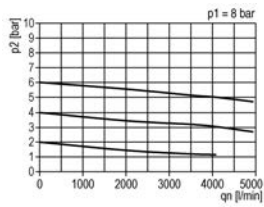
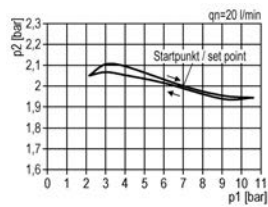


Image shows:
9.3155.00.125.0

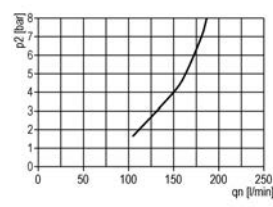
flow characteristic



pressure characteristic



lubricator operating limit



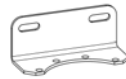
symbol



technical data

- **description:** sinter filter centrifugal principle, diaphragm-type pressure with relieving feature, proportional oiler
- **medium:** compressed air, neutral gases
- **supply pressure P1 min.:** 1,5 bar
- **supply pressure P1 max.:** 16 bar
- **temperature range:** -10°C - +60°C
- **bowl:** PC
- **drain:** HA3
- **mounting:** vertical
- **filter element:** 40 µm
- **bowl volume lubricator:** 550 cm³
- **oil metering qv=1.000/min:** 1 - 2 drops/min
- **oil type:** CL 32 DIN 51517 - ISO VG 32

accessories



- **mounting bracket:** [BW.50](#)

type

FDO.55 HA3

part-number

9.3155.00.125.0

description

Service 2 unit G1 0,5-10 40µm with PC bowl and semi automatic drain

Service 3 unit

Service 2 unit

Filter regulator

Filter

Pressure regulator

Lubricator

System extensions

Accessories

Special products

Filter regulator | BGO



Image shows:
9.1900.00.005.0V

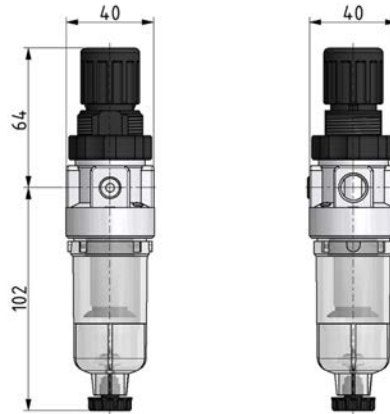
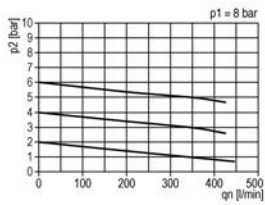
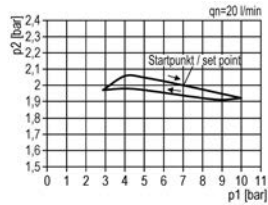


Image shows:
9.1900.00.005.0V

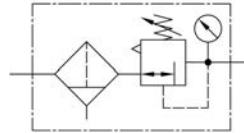
flow characteristic



pressure characteristic



symbol



technical data

- **description:** sinter filter centrifugal principle, diaphragm-type pressure with relieving feature
- **medium:** compressed air, neutral gases
- **supply pressure P1 min.:** 1,5 bar
- **supply pressure P1 max.:** 16 bar
- **temperature range:** -10°C - +60°C
- **bowl:** PC
- **drain:** HA
- **mounting:** vertical
- **filter element:** 5 µm

accessories



- **control panel mounting:**
[WH.M.30/DR.00-34](#)

type	part-number	description
FD.00 HA4	9.1900.00.005.0V	Filter regulator G1/8 0,5-10 5µm with PC bowl and semi automatic drain
FD.00 M HA4	9.1900.00.007.0V	Filter regulator G1/8 0,5-10 5µm with metal bowl and semi automatic drain
FD.01 HA4	9.1901.00.005.0V	Filter regulator G1/4 0,5-10 5µm with PC bowl and semi automatic drain
FD.01 M HA4	9.1901.00.007.0V	Filter regulator G1/4 0,5-10 5µm with metal bowl and semi automatic drain

Service 3 unit

Service 2 unit

Filter regulator

Filter

Pressure regulator

Lubricator

System extensions

Accessories

Special products

Filter regulator | BG1

Service 3 unit

Service 2 unit



Image shows:
9.1911.00.005.0V

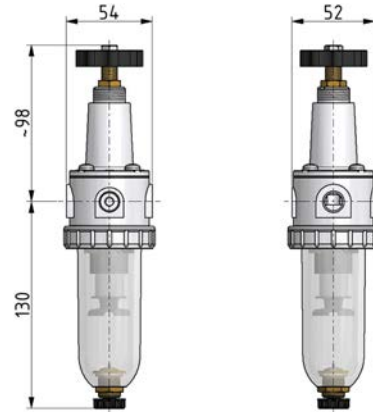
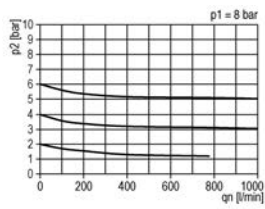


Image shows:
9.1911.00.005.0V

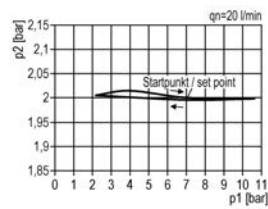
Filter regulator

Filter

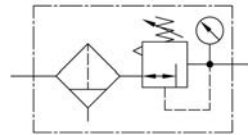
flow characteristic



pressure characteristic



symbol



Pressure regulator

Lubricator

System extensions

technical data

- **description:** sinter filter centrifugal principle, diaphragm-type pressure with relieving feature
- **medium:** compressed air, neutral gases
- **supply pressure P1 min.:** 1,5 bar
- **supply pressure P1 max.:** 16 bar
- **temperature range:** -10°C - +60°C
- **bowl:** PC
- **drain:** HA3
- **mounting:** vertical
- **filter element:** 5 µm

accessories

- **mounting bracket:** [BW.10](#)
- **control panel mounting:** nut DR.11-7

Accessories

Special products

type	part-number	description
FD.11 HA3	9.1911.00.005.0V	Filter regulator G1/4 0,5-10 5µm with PC bowl and semi automatic drain
FD.11 M HA3	9.1911.00.007.0V	Filter regulator G1/4 0,5-10 5µm with metal bowl and semi automatic drain
FD.12 HA3	9.1912.00.005.0V	Filter regulator G3/8 0,5-10 5µm with PC bowl and semi automatic drain

Filter regulator | BG2



Image shows:
9.1922.00.125.0V

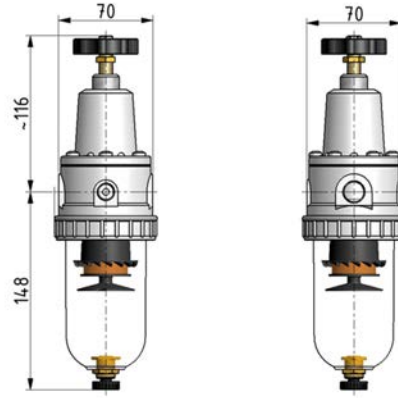
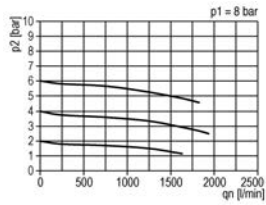
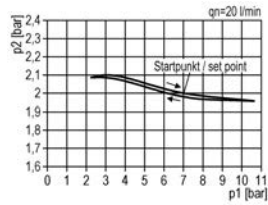


Image shows:
9.1922.00.125.0V

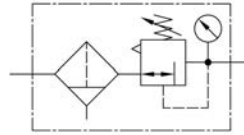
flow characteristic



pressure characteristic



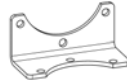
symbol



technical data

- **description:** sinter filter centrifugal principle, diaphragm-type pressure with relieving feature
- **medium:** compressed air, neutral gases
- **supply pressure P1 min.:** 1,5 bar
- **supply pressure P1 max.:** 16 bar
- **temperature range:** -10°C - +60°C
- **bowl:** PC
- **drain:** HA3
- **mounting:** vertical
- **filter element:** 40 µm

accessories



- **mounting bracket:** [BW.30](#)

- **control panel mounting:** nut DR.11-7

type	part-number	description
FD.22 HA3	9.1922.00.125.0V	Filter regulator G3/8 0,5-10 40µm with PC bowl and semi automatic drain
FD.22 M HA3	9.1922.00.127.0V	Filter regulator G3/8 0,5-10 40µm with metal bowl and semi automatic drain
FD.22 AM10	9.1922.00.130.0V	Filter regulator G3/8 0,5-10 40µm with PC bowl and automatic drain
FD.23 HA3	9.1923.00.125.0V	Filter regulator G1/2 0,5-10 40µm with PC bowl and semi automatic drain
FD.23 HA3 B	9.1923.00.128.0V	Filter regulator G1/2 0,5-10 40µm with PC bowl, bowl guard and semi automatic drain
FD.23 AM10	9.1923.00.130.0V	Filter regulator G1/2 0,5-10 40µm with PC bowl and automatic drain

Filter regulator | BG3



Image shows:
9.1933.00.005.0V

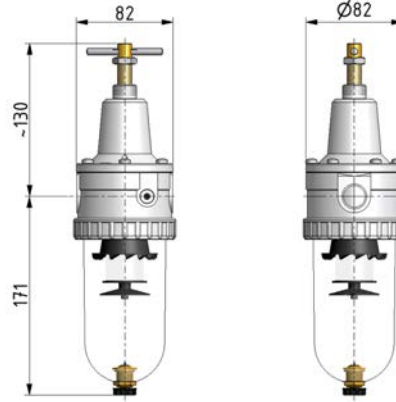
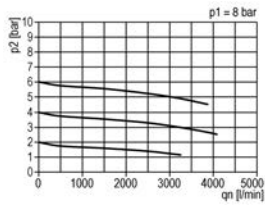
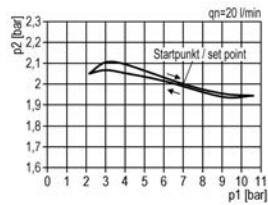


Image shows:
9.1933.00.005.0V

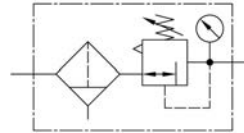
flow characteristic



pressure characteristic



symbol



technical data

- **description:** sinter filter centrifugal principle, diaphragm-type pressure with relieving feature
- **medium:** compressed air, neutral gases
- **supply pressure P1 min.:** 1,5 bar
- **supply pressure P1 max.:** 16 bar
- **temperature range:** -10°C - +60°C
- **bowl:** PC
- **drain:** HA3
- **mounting:** vertical
- **filter element:** 5 µm

accessories

- **mounting bracket:** [BW.30](#)
- **control panel mounting:** nut DR.11-7

type	part-number	description
FD.33 HA3	9.1933.00.005.0V	Filter regulator G1/2 0,5-10 5µm with PC bowl and semi automatic drain
FD.33 M HA3	9.1933.00.007.0V	Filter regulator G1/2 0,5-10 5µm with metal bowl and semi automatic drain
FD.33 HA3 B	9.1933.00.008.0V	Filter regulator G1/2 0,5-10 5µm with PC bowl, bowl guard and semi automatic drain
FD.33 AM10	9.1933.00.010.0V	Filter regulator G1/2 0,5-10 5µm with PC bowl and automatic drain
FD.33 M AM10	9.1933.00.012.0V	Filter regulator G1/2 0,5-10 5µm with metal bowl and automatic drain

Service 3 unit

Service 2 unit

Filter regulator

Filter

Pressure regulator

Lubricator

System extensions

Accessories

Special products

Filter regulator | BG5



Image shows:
9.1954.00.130.0

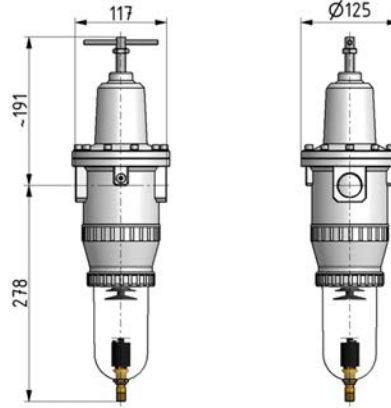
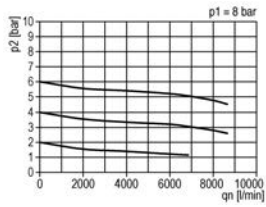
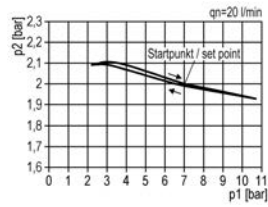


Image shows:
9.1954.00.130.0

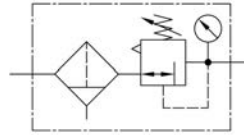
flow characteristic



pressure characteristic



symbol



technical data

- **description:** sinter filter centrifugal principle, diaphragm-type pressure with relieving feature
- **medium:** compressed air, neutral gases
- **supply pressure P1 min.:** 1,5 bar
- **supply pressure P1 max.:** 16 bar
- **temperature range:** -10°C - +60°C
- **bowl:** PC
- **drain:** AM NO
- **mounting:** vertical
- **filter element:** 40 µm

accessories



- **mounting bracket:** [BW.50](#)

type	part-number	description
FD.54 AM10	9.1954.00.130.0	Filter regulator G3/4 0,5-10 40µm with PC bowl and automatic drain
FD.55 HA3	9.1955.00.125.0	Filter regulator G1 0,5-10 40µm with PC bowl and semi automatic drain
FD.55 M HA3	9.1955.00.127.0	Filter regulator G1 0,5-10 40µm with metal bowl and semi automatic drain
FD.55 M AM10	9.1955.00.132.0	Filter regulator G1 0,5-10 40µm with metal bowl and automatic drain
FD.55 AM10 B	9.1955.00.133.0	Filter regulator G1 0,5-10 40µm with PC bowl, bowl guard and automatic drain

Filter | BGO



Image shows:
9.1100.00.050.0V

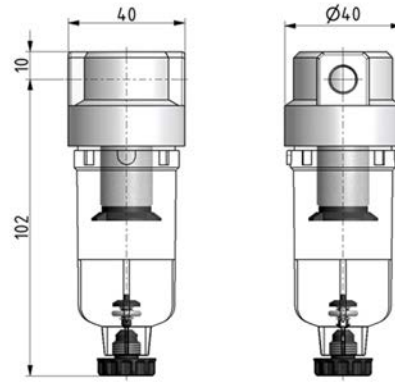
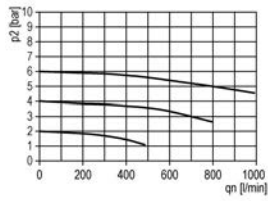
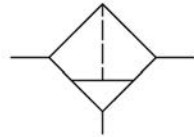


Image shows:
9.1100.00.050.0V

flow characteristic



symbol



technical data

- **description:** sinter filter centrifugal principle
- **medium:** compressed air, neutral gases
- **supply pressure P1 min.:** 1,5 bar
- **supply pressure P1 max.:** 16 bar
- **temperature range:** -10°C - +60°C
- **bowl:** PC
- **drain:** HA
- **mounting:** vertical
- **filter element:** 5 µm

accessories

type	part-number	description
DF.00 HA4	9.1100.00.050.0V	Filter G1/8 5µm with PC bowl and semi automatic drain
DF.00 M HA4	9.1100.00.052.0V	Filter G1/8 5µm with metal bowl and semi automatic drain
DF.01 HA4	9.1101.00.050.0V	Filter G1/4 5µm with PC bowl and semi automatic drain
DF.01 M HA4	9.1101.00.052.0V	Filter G1/4 5µm with metal bowl and semi automatic drain

Service 3 unit

Service 2 unit

Filter regulator

Filter

Pressure regulator

Lubricator

System extensions

Accessories

Special products

Filter | BG1



Image shows:
9.1111.00.050.0V

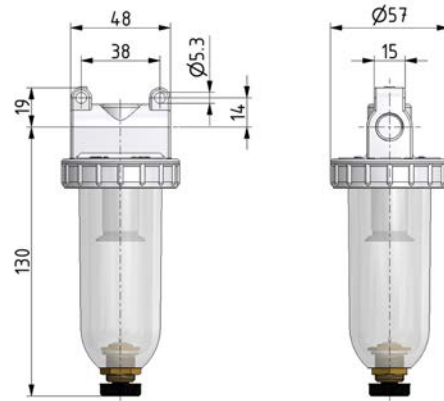
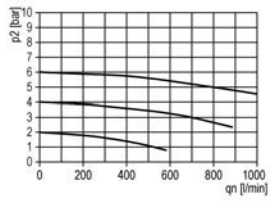
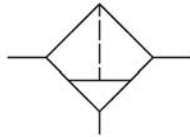


Image shows:
9.1111.00.050.0V

flow characteristic



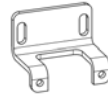
symbol



technical data

- **description:** sinter filter centrifugal principle
- **medium:** compressed air, neutral gases
- **supply pressure P1 min.:** 1,5 bar
- **supply pressure P1 max.:** 16 bar
- **temperature range:** -10°C - +60°C
- **bowl:** PC
- **drain:** HA3
- **mounting:** vertical
- **filter element:** 5 µm

accessories



- **mounting bracket:** [ZW.10](#)

Service 3 unit

Service 2 unit

Filter regulator

Filter

Pressure regulator

Lubricator

System extensions

Accessories

Special products

type	part-number	description
DF.11 HA3	9.1111.00.050.0V	Filter G1/4 5µm with PC bowl and semi automatic drain
DF.11 M HA3	9.1111.00.052.0V	Filter G1/4 5µm with metal bowl and semi automatic drain
DF.11 HA3 B	9.1111.00.053.0V	Filter G1/4 5µm with PC bowl, bowl guard and semi automatic drain
DF.11 AM10	9.1111.00.100.0V	Filter G1/4 5µm with PC bowl and automatic drain
DF.11 M AM10	9.1111.00.102.0V	Filter G1/4 5µm with metal bowl and automatic drain
DF.12 HA3	9.1112.00.050.0V	Filter G3/8 5µm with PC bowl and semi automatic drain
DF.12 M HA3	9.1112.00.052.0V	Filter G3/8 5µm with metal bowl and semi automatic drain
DF.12 HA3 B	9.1112.00.053.0V	Filter G3/8 5µm with PC bowl, bowl guard and semi automatic drain
DF.12 AM10	9.1112.00.100.0V	Filter G3/8 5µm with PC bowl and automatic drain
DF.12 M AM10	9.1112.00.102.0V	Filter G3/8 5µm with metal bowl and automatic drain

Service 3 unit

Service 2 unit

Filter regulator

Filter

Pressure regulator

Lubricator

System extensions

Accessories

Special products

Filter | BG2



Image shows:
9.1122.00.350.0V

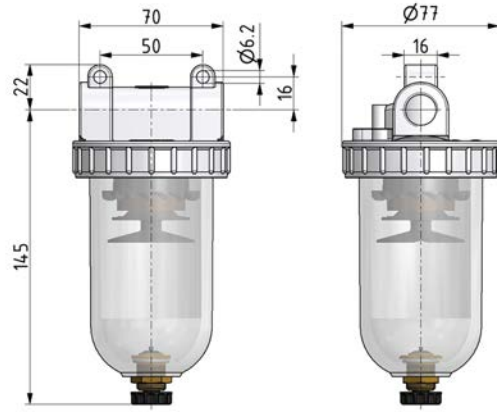
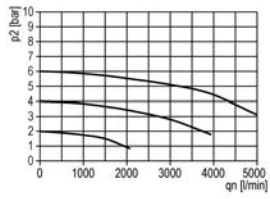
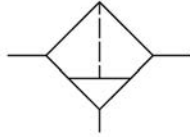


Image shows:
9.1122.00.350.0V

flow characteristic



symbol



technical data

- **description:** sinter filter centrifugal principle
- **medium:** compressed air, neutral gases
- **supply pressure P1 min.:** 1,5 bar
- **supply pressure P1 max.:** 16 bar
- **temperature range:** -10°C - +60°C
- **bowl:** PC
- **drain:** HA3
- **mounting:** vertical
- **filter element:** 40 μm

accessories



- **mounting bracket:** [ZW.30](#)

type	part-number	description
DF.22 HA3	9.1122.00.350.0V	Filter G3/8 40µm with PC bowl and semi automatic drain
DF.22 M HA3	9.1122.00.352.0V	Filter G3/8 40µm with metal bowl and semi automatic drain
DF.22 HA3 B	9.1122.00.353.0V	Filter G3/8 40µm with PC bowl, bowl guard and semi automatic drain
DF.22 AM10	9.1122.00.400.0V	Filter G3/8 40µm with PC bowl and automatic drain
DF.22 M AM10	9.1122.00.402.0V	Filter G3/8 40µm with metal bowl and automatic drain
DF.23 HA3	9.1123.00.350.0V	Filter G1/2 40µm with PC bowl and semi automatic drain
DF.23 M HA3	9.1123.00.352.0V	Filter G1/2 40µm with metal bowl and semi automatic drain
DF.23 HA3 B	9.1123.00.353.0V	Filter G1/2 40µm with PC bowl, bowl guard and semi automatic drain
DF.23 AM10	9.1123.00.400.0V	Filter G1/2 40µm with PC bowl and automatic drain
DF.23 M AM10	9.1123.00.402.0V	Filter G1/2 40µm with metal bowl and automatic drain
DF.23 AM10 B	9.1123.00.403.0V	Filter G1/2 40µm with PC bowl, bowl guard and automatic drain

Service 3 unit

Service 2 unit

Filter regulator

Filter

Pressure regulator

Lubricator

System extensions

Accessories

Special products

Filter | BG3



Image shows:
9.1133.00.050.0V

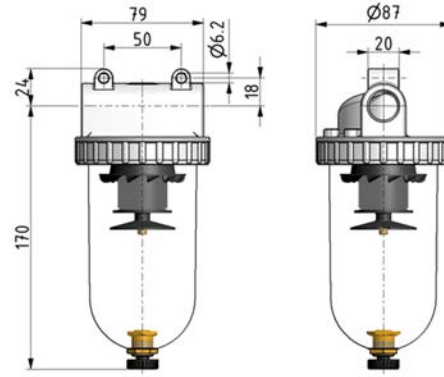
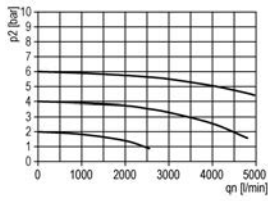
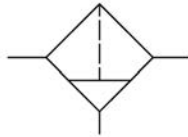


Image shows:
9.1133.00.050.0V

flow characteristic



symbol



technical data

- **description:** sinter filter centrifugal principle
- **medium:** compressed air, neutral gases
- **supply pressure P1 min.:** 1,5 bar
- **supply pressure P1 max.:** 16 bar
- **temperature range:** -10°C - +60°C
- **bowl:** PC
- **drain:** HA3
- **mounting:** vertical
- **filter element:** 5 µm

accessories



- **mounting bracket:** [ZW.30](#)

type	part-number	description
DF.33 HA3	9.1133.00.050.0V	Filter G1/2 5µm with PC bowl and semi automatic drain
DF.33 M HA3	9.1133.00.052.0V	Filter G1/2 5µm with metal bowl and semi automatic drain
DF.33 HA3 B	9.1133.00.053.0V	Filter G1/2 5µm with PC bowl, bowl guard and semi automatic drain
DF.33 AM10	9.1133.00.100.0V	Filter G1/2 5µm with PC bowl and automatic drain
DF.33 M AM10	9.1133.00.102.0V	Filter G1/2 5µm with metal bowl and automatic drain
DF.33 AM10 B	9.1133.00.103.0V	Filter G1/2 5µm with PC bowl, bowl guard and automatic drain

Service 3 unit

Service 2 unit

Filter regulator

Filter

Pressure regulator

Lubricator

System extensions

Accessories

Special products

Filter | BG3



Image shows:
9.1134.00.050.0V

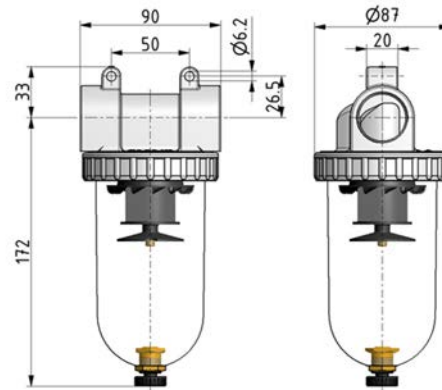
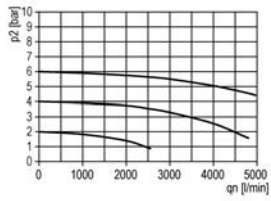
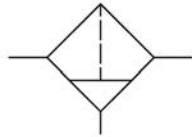


Image shows:
9.1134.00.050.0V

flow characteristic



symbol



technical data

- **description:** sinter filter centrifugal principle
- **medium:** compressed air, neutral gases
- **supply pressure P1 min.:** 1,5 bar
- **supply pressure P1 max.:** 16 bar
- **temperature range:** -10°C - +60°C
- **bowl:** PC
- **drain:** HA3
- **mounting:** vertical
- **filter element:** 5 µm

accessories



- **mounting bracket:** [ZW.30](#)

Service 3 unit

Service 2 unit

Filter regulator

Filter

Pressure regulator

Lubricator

System extensions

Accessories

Special products

type	part-number	description
DF.34 HA3	9.1134.00.050.0V	Filter G3/4 5µm with PC bowl and semi automatic drain
DF.34 M HA3	9.1134.00.052.0V	Filter G3/4 5µm with metal bowl and semi automatic drain
DF.34 HA3 B	9.1134.00.053.0V	Filter G3/4 5µm with PC bowl, bowl guard and semi automatic drain
DF.34 AM10	9.1134.00.100.0	Filter G3/4 5µm with PC bowl and automatic drain
DF.34 M AM10	9.1134.00.102.0V	Filter G3/4 5µm with metal bowl and automatic drain
DF.35 HA3	9.1135.00.050.0V	Filter G1 5µm with PC bowl and semi automatic drain
DF.35 M HA3	9.1135.00.052.0V	Filter G1 5µm with metal bowl and semi automatic drain
DF.35 HA3 B	9.1135.00.053.0V	Filter G1 5µm with PC bowl, bowl guard and semi automatic drain
DF.35 AM10	9.1135.00.100.0V	Filter G1 5µm with PC bowl and automatic drain
DF.35 M AM10	9.1135.00.102.0	Filter G1 5µm with metal bowl and automatic drain

Service 3 unit

Service 2 unit

Filter regulator

Filter

Pressure regulator

Lubricator

System extensions

Accessories

Special products

Filter | BG5



Image shows:
9.1154.00.350.0V

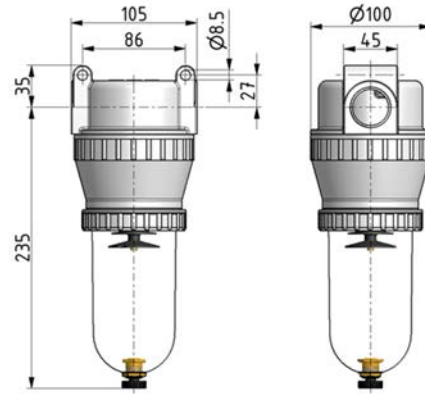
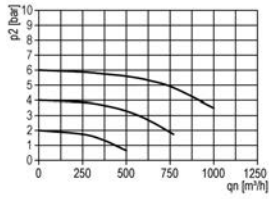
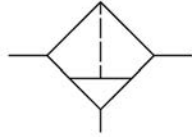


Image shows:
9.1154.00.350.0V

flow characteristic



symbol



technical data

- **description:** sinter filter centrifugal principle
- **medium:** compressed air, neutral gases
- **supply pressure P1 min.:** 1,5 bar
- **supply pressure P1 max.:** 16 bar
- **temperature range:** -10°C - +60°C
- **owl:** PC
- **drain:** HA3
- **mounting:** vertical
- **filter element:** 40 µm

accessories

Service 3 unit

Service 2 unit

Filter regulator

Filter

Pressure regulator

Lubricator

System extensions

Accessories

Special products

type	part-number	description
DF.54 HA3	9.1154.00.350.0V	Filter G3/4 40µm with PC bowl and semi automatic drain
DF.54 M HA3	9.1154.00.352.0V	Filter G3/4 40µm with metal bowl and semi automatic drain
DF.54 HA3 B	9.1154.00.353.0V	Filter G3/4 40µm with PC bowl, bowl guard and semi automatic drain
DF.54 AM10	9.1154.00.400.0V	Filter G3/4 40µm with PC bowl and automatic drain
DF.54 M AM10	9.1154.00.402.0	Filter G3/4 40µm with metal bowl and automatic drain
DF.54 AM10 B	9.1154.00.403.0V	Filter G3/4 40µm with PC bowl, bowl guard and automatic drain
DF.55 HA3	9.1155.00.350.0V	Filter G1 40µm with PC bowl and semi automatic drain
DF.55 M HA3	9.1155.00.352.0V	Filter G1 40µm with metal bowl and semi automatic drain
DF.55 HA3 B	9.1155.00.353.0V	Filter G1 40µm with PC bowl, bowl guard and semi automatic drain
DF.55 AM10	9.1155.00.400.0V	Filter G1 40µm with PC bowl and automatic drain
DF.55 M AM10	9.1155.00.402.0	Filter G1 40µm with metal bowl and automatic drain
DF.55 AM10 B	9.1155.00.403.0V	Filter G1 40µm with PC bowl, bowl guard and automatic drain

Service 3 unit

Service 2 unit

Filter regulator

Filter

Pressure regulator

Lubricator

System extensions

Accessories

Special products

Filter | BG5



Image shows:
9.1156.00.350.0V

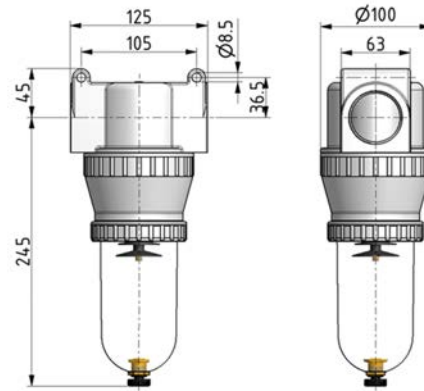
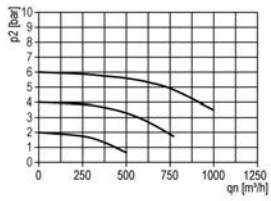
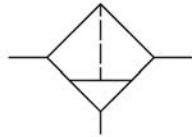


Image shows:
9.1156.00.350.0V

flow characteristic



symbol



technical data

- **description:** sinter filter centrifugal principle
- **medium:** compressed air, neutral gases
- **supply pressure P1 min.:** 1,5 bar
- **supply pressure P1 max.:** 16 bar
- **temperature range:** -10°C - +60°C
- **owl:** PC
- **drain:** HA3
- **mounting:** vertical
- **filter element:** 40 µm

accessories

Service 3 unit

Service 2 unit

Filter regulator

Filter

Pressure regulator

Lubricator

System extensions

Accessories

Special products

type	part-number	description
DF.56 HA3	9.1156.00.350.0V	Filter G1 1/4 40µm with PC bowl and semi automatic drain
DF.56 M HA3	9.1156.00.352.0V	Filter G1 1/4 40µm with metal bowl and semi automatic drain
DF.56 HA3 B	9.1156.00.353.0V	Filter G1 1/4 40µm with PC bowl, bowl guard and semi automatic drain
DF.56 AM10	9.1156.00.400.0V	Filter G1 1/4 40µm with PC bowl and automatic drain
DF.56 M AM10	9.1156.00.402.0V	Filter G1 1/4 40µm with metal bowl and automatic drain
DF.56 AM10 B	9.1156.00.403.0V	Filter G1 1/4 40µm with PC bowl, bowl guard and automatic drain
DF.57 HA3	9.1157.00.350.0V	Filter G1 1/2 40µm with PC bowl and semi automatic drain
DF.57 M HA3	9.1157.00.352.0V	Filter G1 1/2 40µm with metal bowl and semi automatic drain
DF.57 HA3 B	9.1157.00.353.0V	Filter G1 1/2 40µm with PC bowl, bowl guard and semi automatic drain
DF.57 AM10	9.1157.00.400.0V	Filter G1 1/2 40µm with PC bowl and automatic drain
DF.57 M AM10	9.1157.00.402.0	Filter G1 1/2 40µm with metal bowl and automatic drain
DF.57 AM10 B	9.1157.00.403.0V	Filter G1 1/2 40µm with PC bowl, bowl guard and automatic drain

Service 3 unit

Service 2 unit

Filter regulator

Filter

Pressure regulator

Lubricator

System extensions

Accessories

Special products

Filter | BG8



Image shows:
9.1186.00.350.0V

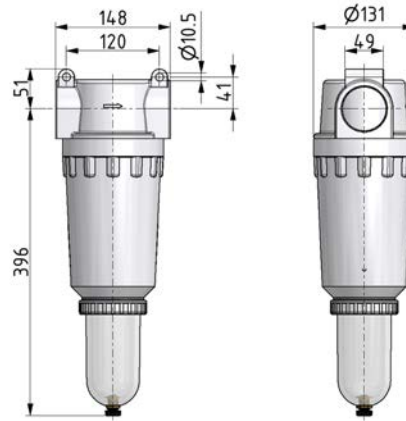
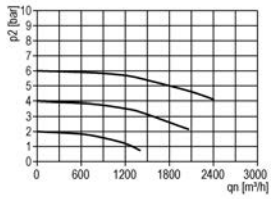
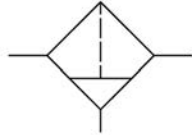


Image shows:
9.1186.00.350.0V

flow characteristic



symbol



technical data

- **description:** sinter filter centrifugal principle
- **medium:** compressed air, neutral gases
- **supply pressure P1 min.:** 1,5 bar
- **supply pressure P1 max.:** 16 bar
- **temperature range:** $-10^{\circ}C$ - $+60^{\circ}C$
- **owl:** PC
- **drain:** HA3
- **mounting:** vertical
- **filter element:** 60 μm

accessories

Service 3 unit

Service 2 unit

Filter regulator

Filter

Pressure regulator

Lubricator

System extensions

Accessories

Special products

type	part-number	description
DF.86 HA3	9.1186.00.350.0V	Filter G1 1/4 60µm with PC bowl and semi automatic drain
DF.86 M HA3	9.1186.00.352.0V	Filter G1 1/4 60µm with metal bowl and semi automatic drain
DF.86 AM10	9.1186.00.400.0V	Filter G1 1/4 60µm with PC bowl and automatic drain
DF.87 HA3	9.1187.00.350.0V	Filter G1 1/2 60µm with PC bowl and semi automatic drain
DF.87 M HA3	9.1187.00.352.0V	Filter G1 1/2 60µm with metal bowl and semi automatic drain
DF.87 HA3 B	9.1187.00.353.0V	Filter G1 1/2 60µm with PC bowl, bowl guard and semi automatic drain
DF.87 AM10	9.1187.00.400.0V	Filter G1 1/2 60µm with PC bowl and automatic drain
DF.87 M AM10	9.1187.00.402.0V	Filter G1 1/2 60µm with metal bowl and automatic drain
DF.87 AM10 B	9.1187.00.403.0V	Filter G1 1/2 60µm with PC bowl, bowl guard and automatic drain
DF.88 HA3	9.1188.00.350.0V	Filter G2 60µm with PC bowl and semi automatic drain
DF.88 M HA3	9.1188.00.352.0V	Filter G2 60µm with metal bowl and semi automatic drain
DF.88 HA3 B	9.1188.00.353.0V	Filter G2 60µm with PC bowl, bowl guard and semi automatic drain
DF.88 AM10	9.1188.00.400.0V	Filter G2 60µm with PC bowl and automatic drain
DF.88 M AM10	9.1188.00.402.0V	Filter G2 60µm with metal bowl and automatic drain
DF.88 AM10 B	9.1188.00.403.0V	Filter G2 60µm with PC bowl, bowl guard and automatic drain

Service 3 unit

Service 2 unit

Filter regulator

Filter

Pressure regulator

Lubricator

System extensions

Accessories

Special products

Filter | BG9



Image shows:
9.1198.00.102.0

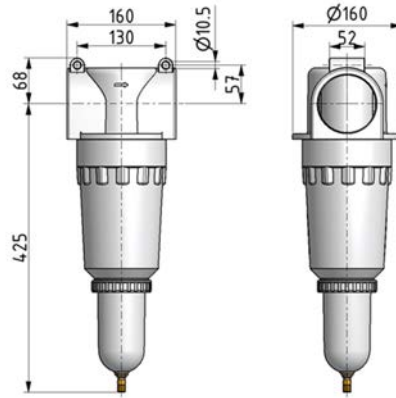
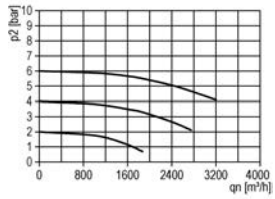
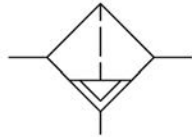


Image shows:
9.1198.00.102.0

flow characteristic



symbol



technical data

- **description:** sinter filter centrifugal principle
- **medium:** compressed air, neutral gases
- **supply pressure P1 min.:** 1,5 bar
- **supply pressure P1 max.:** 16 bar
- **temperature range:** -10°C - +60°C
- **bowl:** metal bowl
- **drain:** AM NO
- **mounting:** vertical
- **filter element:** 8 µm

accessories

Service 3 unit

Service 2 unit

Filter regulator

Filter

Pressure regulator

Lubricator

System extensions

Accessories

Special products

type	part-number	description
DF.98 M AM10	9.1198.00.102.0	Filter G2 1/2 8µm with metal bowl and automatic drain
DF.98 HA3	9.1198.00.350.0V	Filter G2 1/2 60µm with PC bowl and semi automatic drain
DF.98 M HA3	9.1198.00.352.0	Filter G2 1/2 60µm with metal bowl and semi automatic drain
DF.98 AM10	9.1198.00.400.0	Filter G2 1/2 60µm with PC bowl and automatic drain
DF.99 HA3	9.1199.00.350.0V	Filter G3 60µm with PC bowl and semi automatic drain
DF.99 M HA3	9.1199.00.352.0	Filter G3 60µm with metal bowl and semi automatic drain
DF.99 AM10	9.1199.00.400.0	Filter G3 60µm with PC bowl and automatic drain

Service 3 unit

Service 2 unit

Filter regulator

Filter

Pressure regulator

Lubricator

System extensions

Accessories

Special products

Pressure regulator | M5



Image shows:
9.15M5.00.001

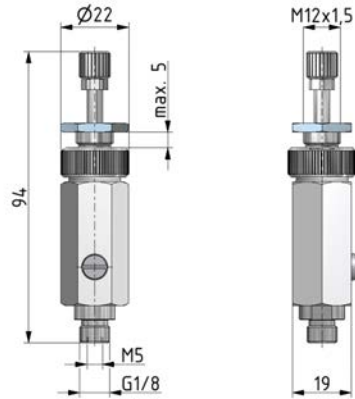
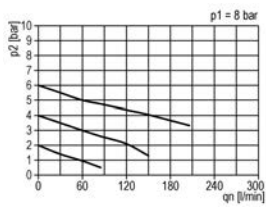
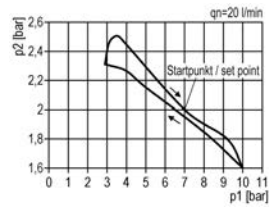


Image shows:
9.15M5.00.001

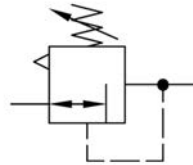
flow characteristic



pressure characteristic



symbol



technical data

- **description:** plunger regulator with diaphragm and relieving feature
- **medium:** compressed air, neutral gases
- **supply pressure P1 max.:** 16 bar
- **temperature range:** -10°C - +60°C
- **control panel nut:** control panel nut

accessories

type

DR.M5 S

part-number

9.15M5.00.001

description

Pressure regulator M5 0-8,5 with panel mounting ring

Service 3 unit

Service 2 unit

Filter regulator

Filter

Pressure regulator

Lubricator

System extensions

Accessories

Special products

Pressure regulator | BGO



Image shows:
9.1500.00.750/V

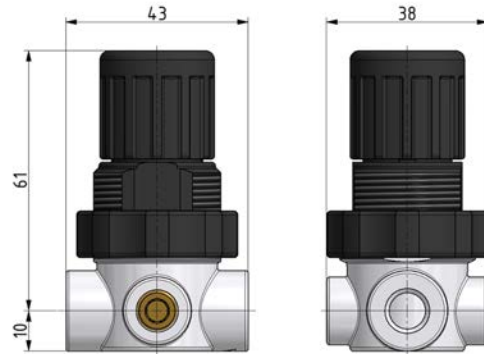
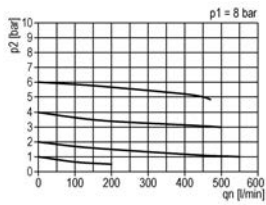
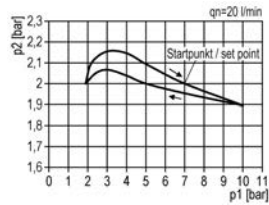


Image shows:
9.1500.00.750/V

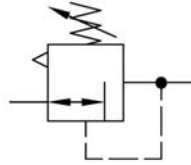
flow characteristic



pressure characteristic



symbol



technical data

- **description:** air line regulator with diaphragm and relieving feature
- **medium:** compressed air, neutral gases
- **supply pressure P1 max.:** 25 bar
- **temperature range:** -10°C - +60°C

accessories



- control panel mounting:
[WH.M.30/DR.00-34](#)

type	part-number	description
DR.022-00	9.1500.00.750/V	Pressure regulator G1/8 0,5-10 (2xVST)
DR.022-01	9.1501.00.750/V	Pressure regulator G1/4 0,5-10 (2xVST)

Pressure regulator | BGO



Image shows:
9.1600.00.102/V

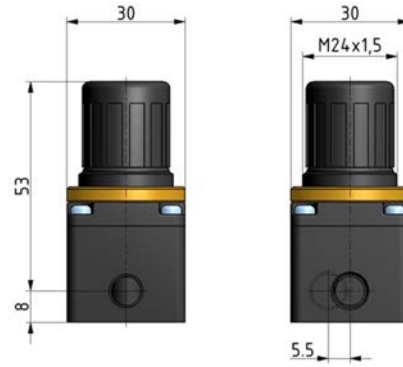
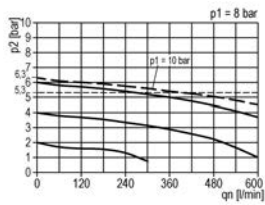
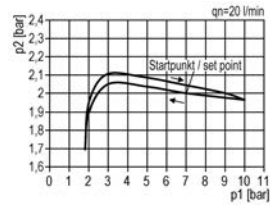


Image shows:
9.1600.00.102/V

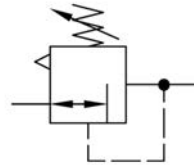
flow characteristic



pressure characteristic



symbol



technical data

- **description:** air line regulator with diaphragm and relieving feature
- **medium:** compressed air, medical oxygen, NO₂ (nitrous oxide)
- **supply pressure P1 max.:** 10 bar
- **temperature range:** -10°C - +60°C
- **control panel nut:** control panel nut

accessories

type

KDR.00 mO S

part-number

9.1600.00.102/V

description

Pressure regulator 30x30 G1/8 0,2-8 for medical oxygen with panel mounting ring and black galvanized gauge plug in the rear port

Service 3 unit

Service 2 unit

Filter regulator

Filter

Pressure regulator

Lubricator

System extensions

Accessories

Special products

Pressure regulator 30x30 flange | BGO



Image shows:
9.160X.00.103/V

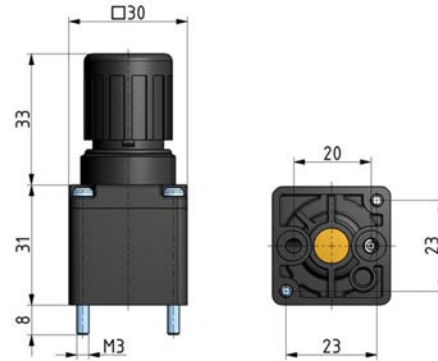
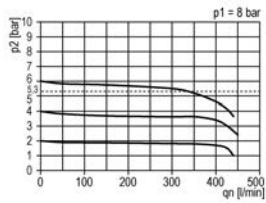
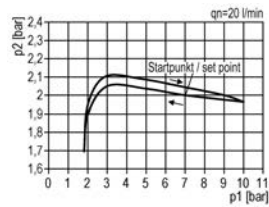


Image shows:
9.160X.00.103/V

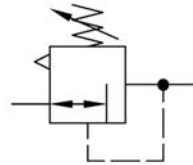
flow characteristic



pressure characteristic



symbol



technical data

- **description:** air line regulator with diaphragm and relieving feature, cartridge regulation, flange mounting
- **medium:** compressed air, medical oxygen, NO₂ (nitrous oxide)
- **supply pressure P1 max.:** 10 bar
- **temperature range:** -10°C - +60°C

accessories

type

KDR.FL mO

part-number

9.160X.00.103/V

description

Pressure regulator 30x30 flange mounting 0,2-8 for medical oxygen with cartridge regulation and relieving feature

Pressure regulator | BGO



Image shows:
9.1500.00.000.0V

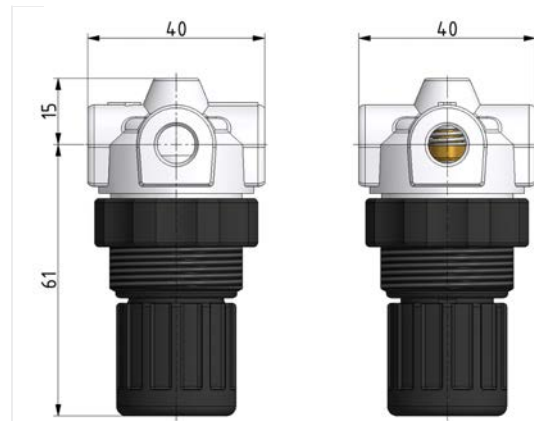
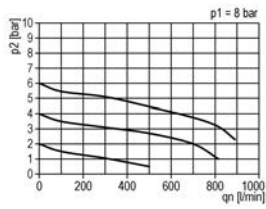
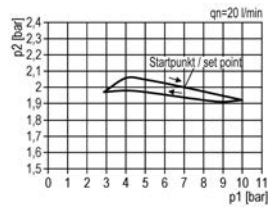


Image shows:
9.1500.00.000.0V

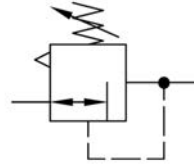
flow characteristic



pressure characteristic



symbol



technical data

- **description:** air line regulator with diaphragm and relieving feature
- **medium:** compressed air, neutral gases
- **supply pressure P1 max.:** 16 bar
- **temperature range:** -10°C - +60°C

accessories



- control panel mounting:
[WH.M.30/DR.00-34](#)

type	part-number	description
DR.00	9.1500.00.000.0V	Pressure regulator G1/8 0,5-10

Service 3 unit

Service 2 unit

Filter regulator

Filter

Pressure regulator

Lubricator

System extensions

Accessories

Special products

Pressure regulator | BG1



Image shows:
9.1511.00.000.0V

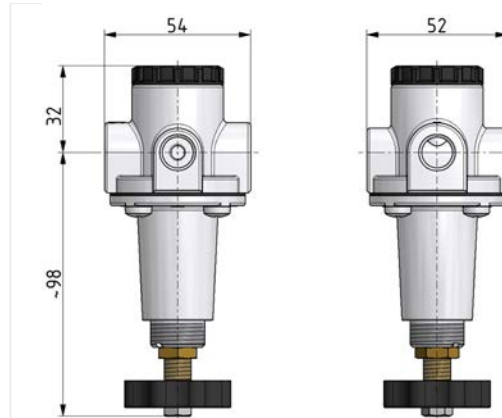
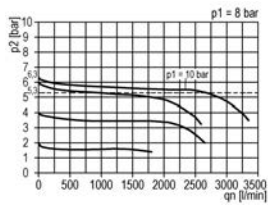
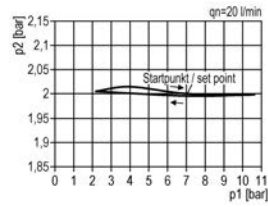


Image shows:
9.1511.00.000.0V

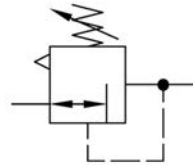
flow characteristic



pressure characteristic



symbol



technical data

- **description:** air line regulator with diaphragm and relieving feature
- **medium:** compressed air, neutral gases
- **supply pressure P1 max.:** 16 bar
- **temperature range:** -10°C - +60°C

accessories



- mounting bracket: [BW.10](#)



- control panel mounting: [WH.M 20/DR.11-7](#)

type	part-number	description
DR.11	9.1511.00.000.0V	Pressure regulator G1/4 0,5-10
DR.12	9.1512.00.000.0V	Pressure regulator G3/8 0,5-10

Service 3 unit

Service 2 unit

Filter regulator

Filter

Pressure regulator

Lubricator

System extensions

Accessories

Special products

Pressure regulator | BG2



Image shows:
9.1522.00.000.0V

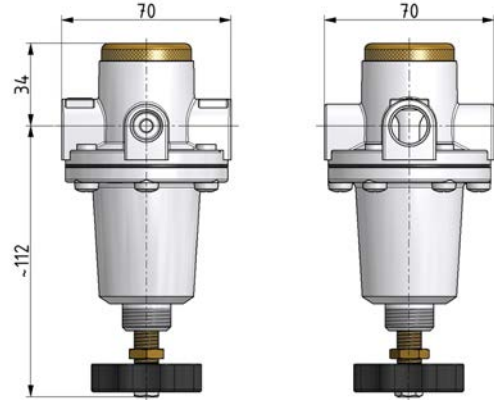
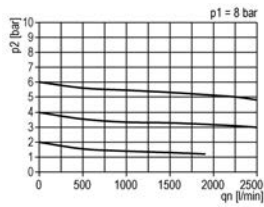
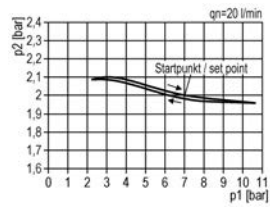


Image shows:
9.1522.00.000.0V

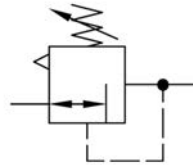
flow characteristic



pressure characteristic



symbol



technical data

- **description:** air line regulator with diaphragm and relieving feature
- **medium:** compressed air, neutral gases
- **supply pressure P1 max.:** 25 bar
- **temperature range:** -10°C - +60°C

accessories



- mounting bracket: [BW.20](#)



- control panel mounting: [WH.M.20/DR.11-7](#)

type	part-number	description
DR.22	9.1522.00.000.0V	Pressure regulator G3/8 0,5-10
DR.23	9.1523.00.000.0V	Pressure regulator G1/2 0,5-10

Pressure regulator | BG3



Image shows:
9.1533.00.000.0V

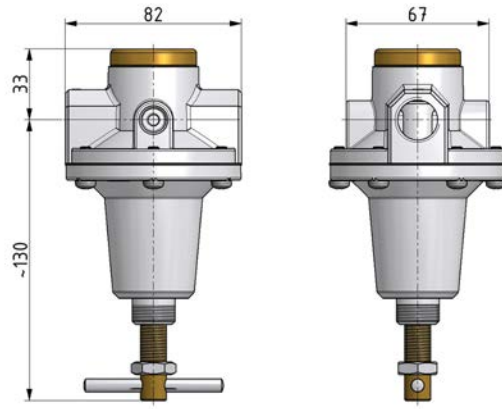
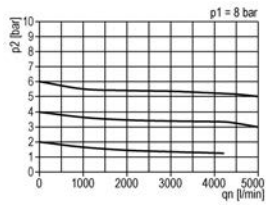
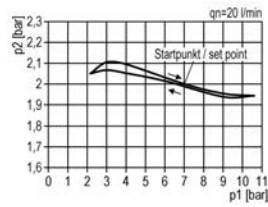


Image shows:
9.1533.00.000.0V

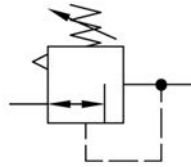
flow characteristic



pressure characteristic



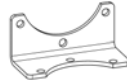
symbol



technical data

- **description:** air line regulator with diaphragm and relieving feature
- **medium:** compressed air, neutral gases
- **supply pressure P1 max.:** 16 bar
- **temperature range:** -10°C - +60°C

accessories



- mounting bracket: [BW.30](#)

- control panel mounting: nut DR.11-7

type

DR.33

part-number

9.1533.00.000.0V

description

Pressure regulator G1/2 0,5-10

Pressure regulator | BG3



Image shows:
9.1534.00.000.0V

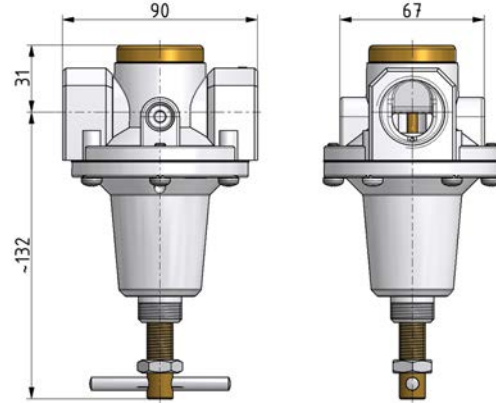
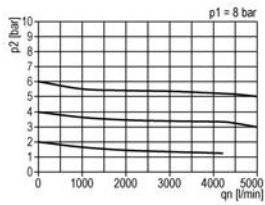
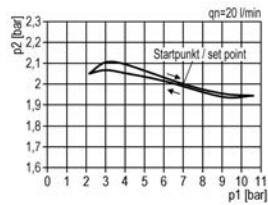


Image shows:
9.1534.00.000.0V

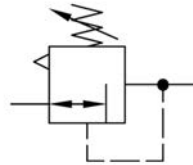
flow characteristic



pressure characteristic



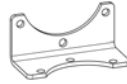
symbol



technical data

- **description:** air line regulator with diaphragm and relieving feature
- **medium:** compressed air, neutral gases
- **supply pressure P1 max.:** 25 bar
- **temperature range:** -10°C - +60°C

accessories



- mounting bracket: [BW.30](#)

- control panel mounting: nut DR.11-7

type	part-number	description
DR.34	9.1534.00.000.0V	Pressure regulator G3/4 0,5-10
DR.35	9.1535.00.000.0V	Pressure regulator G1 0,5-10

Service 3 unit

Service 2 unit

Filter regulator

Filter

Pressure regulator

Lubricator

System extensions

Accessories

Special products

Pressure regulator | BG5



Image shows:
9.1554.00.000.0

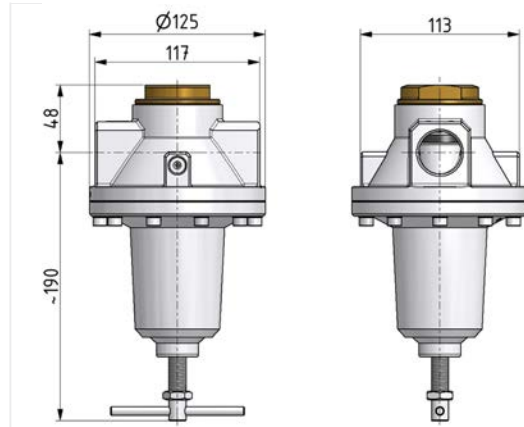
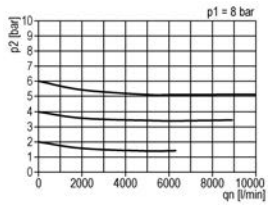
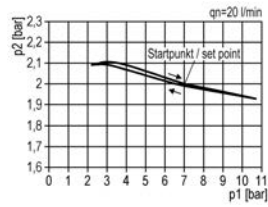


Image shows:
9.1554.00.000.0

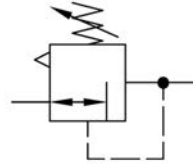
flow characteristic



pressure characteristic



symbol



technical data

- **description:** air line regulator with diaphragm and relieving feature
- **medium:** compressed air, neutral gases
- **supply pressure P1 max.:** 25 bar
- **temperature range:** -10°C - +60°C

accessories



- mounting bracket: [BW.50](#)

type	part-number	description
DR.54	9.1554.00.000.0	Pressure regulator G3/4 0,5-10
DR.55	9.1555.00.000.0	Pressure regulator G1 0,5-10

Service 3 unit

Service 2 unit

Filter regulator

Filter

Pressure regulator

Lubricator

System extensions

Accessories

Special products

Pressure regulator | BG7



Image shows:
9.1576.00.000.0

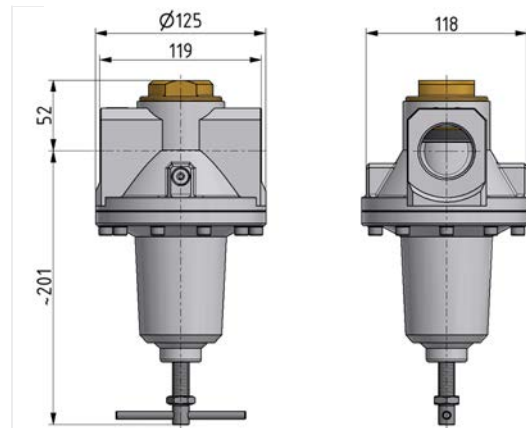
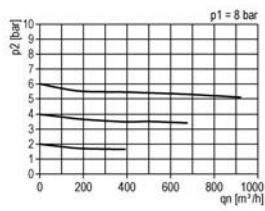
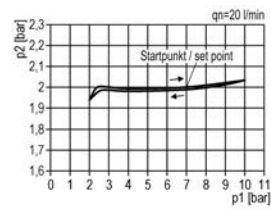


Image shows:
9.1576.00.000.0

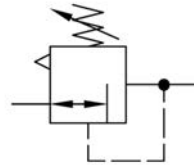
flow characteristic



pressure characteristic



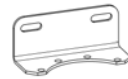
symbol



technical data

- **description:** air line regulator with diaphragm and relieving feature
- **medium:** compressed air, neutral gases
- **supply pressure P1 max.:** 25 bar
- **temperature range:** -10°C - +60°C

accessories



- mounting bracket: [BW.50](#)

type	part-number	description
DR.76	9.1576.00.000.0	Pressure regulator G1 1/4 0,5-10
DR.77	9.1577.00.000.0	Pressure regulator G1 1/2 0,5-10

Service 3 unit

Service 2 unit

Filter regulator

Filter

Pressure regulator

Lubricator

System extensions

Accessories

Special products

Pressure regulator pilot control | BG5



Image shows:
9.1554.00.200.0

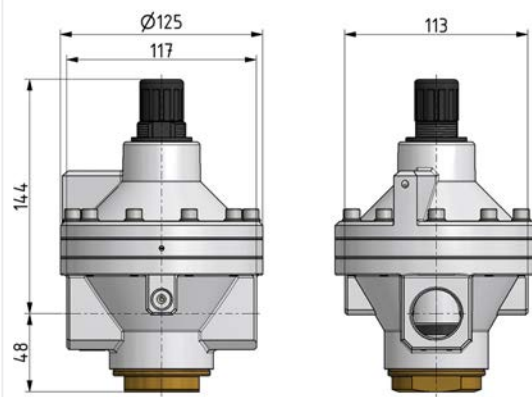
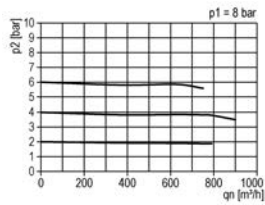
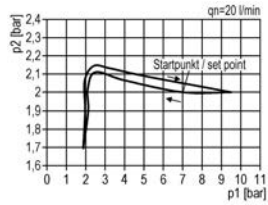


Image shows:
9.1554.00.200.0

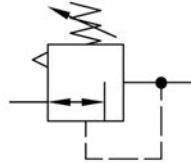
flow characteristic



pressure characteristic



symbol



technical data

- **description:** air line regulator with diaphragm and relieving feature, pilot operated
- **medium:** compressed air, neutral gases
- **supply pressure P1 max.:** 25 bar
- **temperature range:** -10°C - +60°C

accessories



- mounting bracket: [BW.50](#)

- lockable setting knob possible

type	part-number	description
DRP.54	9.1554.00.200.0	Pressure regulator G3/4 0,5-10 pilot control
DRP.55	9.1555.00.200.0	pressure regulator G1" 0,5-10 bar pilot operated

Pressure regulator pilot control | BG7



Image shows:
9.1576.00.200.0

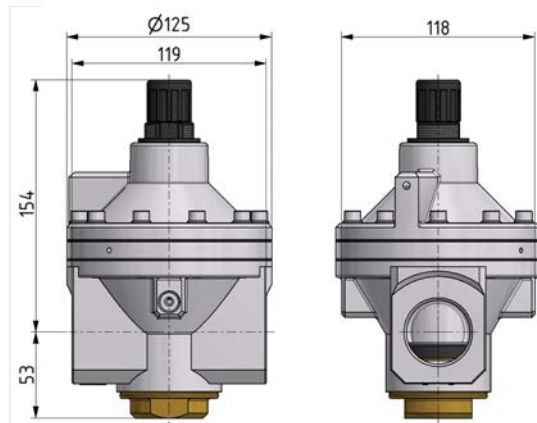
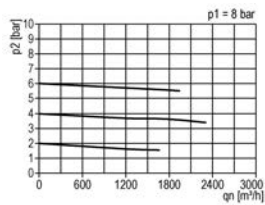
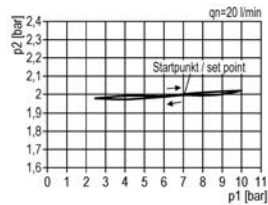


Image shows:
9.1576.00.200.0

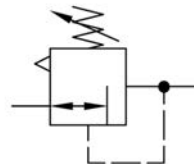
flow characteristic



pressure characteristic



symbol



technical data

- **description:** air line regulator with diaphragm and relieving feature, pilot operated
- **medium:** compressed air, neutral gases
- **supply pressure P1 max.:** 25 bar
- **temperature range:** -10°C - +60°C

accessories



- mounting bracket: [BW.50](#)

- lockable setting knob possible

type	part-number	description
DRP.76	9.1576.00.200.0	Pressure regulator G1 1/4 0,5-10 pilot control
DRP.77	9.1577.00.200.0	Pressure regulator G1 1/2 0,5-10 pilot control

Service 3 unit

Service 2 unit

Filter regulator

Filter

Pressure regulator

Lubricator

System extensions

Accessories

Special products

Pressure regulator pilot control | BG8



Image shows:
9.1587.00.200.0V

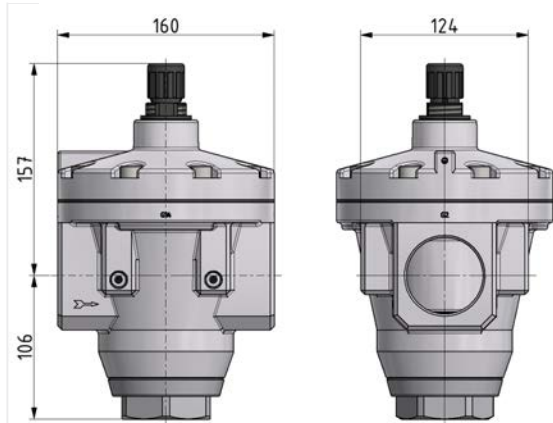
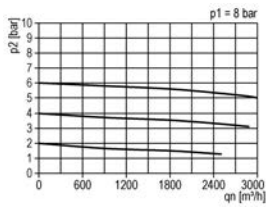
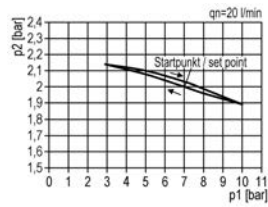


Image shows:
9.1587.00.200.0V

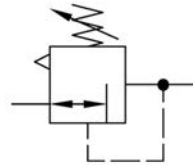
flow characteristic



pressure characteristic



symbol



technical data

- **description:** air line regulator with diaphragm and relieving feature, pilot operated
- **medium:** compressed air, neutral gases
- **supply pressure P1 max.:** 25 bar
- **temperature range:** -10°C - +60°C

accessories

- lockable setting knob possible

type	part-number	description
DRP.87	9.1587.00.200.0V	Pressure regulator G1 1/2 0,5-10 pilot control
DRP.88	9.1588.00.200.0V	Pressure regulator G2 0,5-10 pilot control

Pressure regulator pneumatic pilot operated | BG3



Image shows:
9.1533.00.100.0V

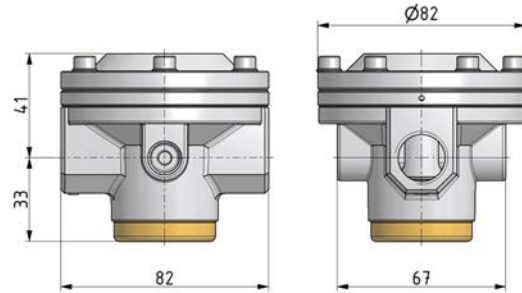
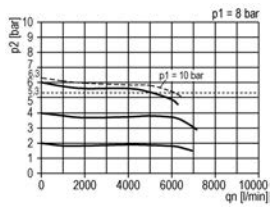
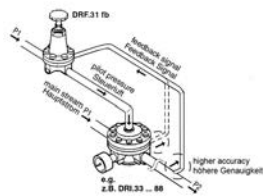


Image shows:
9.1533.00.100.0V

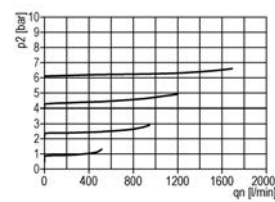
flow characteristic



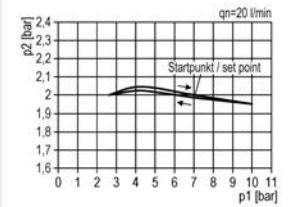
operating conditions



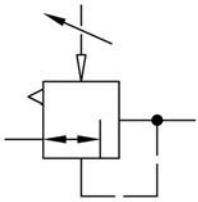
exhaust characteristics



pressure characteristic



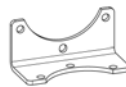
symbol



technical data

- **description:** air line regulator with diaphragm and relieving feature, pneumatic pilot-operated (1:1)
- **medium:** compressed air, neutral gases
- **supply pressure P1 max.:** 25 bar
- **temperature range:** -10°C - +80°C

accessories



- mounting bracket: [BW.30](#)

type

DRI.33

part-number

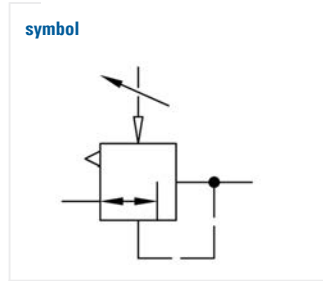
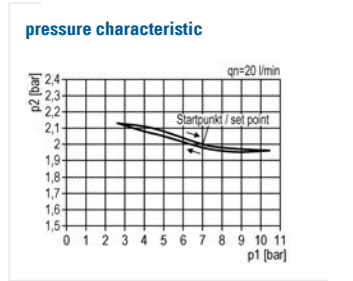
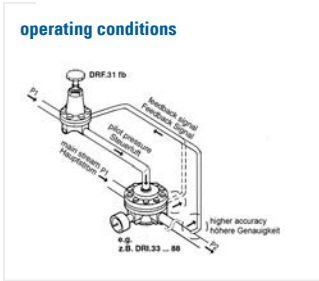
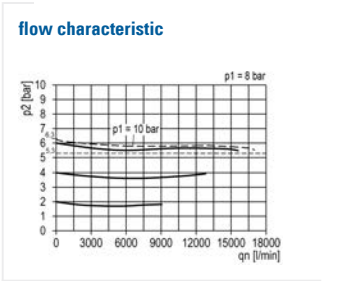
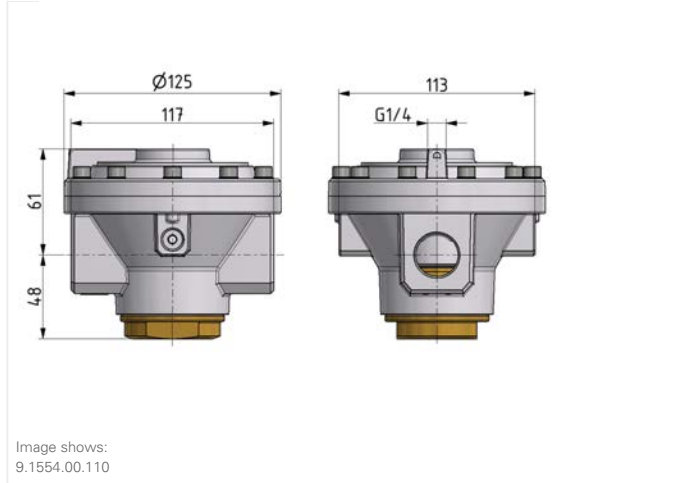
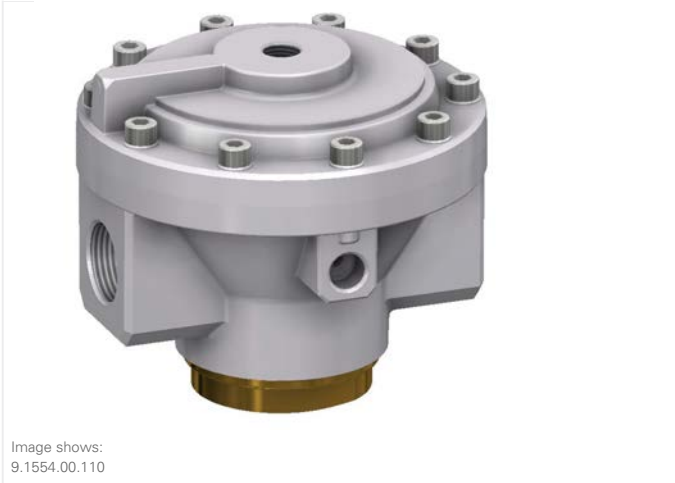
9.1533.00.100.0V

description

Pressure regulator G1/2 pneumatic pilot operated (G1/4)



Pressure regulator pneumatic pilot operated | BG5



technical data

- **description:** air line regulator with diaphragm and relieving feature, pneumatic pilot-operated (1:1)
- **medium:** compressed air, neutral gases
- **supply pressure P1 max.:** 40 bar
- **temperature range:** -10°C - +80°C

accessories

type	part-number	description
DRI.54 N	9.1554.00.110	Pressure regulator G3/4 pneumatic pilot operated (G1/4), new edition innovation summer 2018
DRI.55 N	9.1555.00.110	Pressure regulator G1 pneumatic pilot operated (G1/4), new edition innovation summer 2018
DRI.55 N	9.1555.00.112	Pressure regulator G1 pneumatic pilot operated (G1/4), new edition, without relieving feature innovation summer 2018

Pressure regulator pneumatic pilot operated | BG7



Image shows:
9.1576.00.100.0

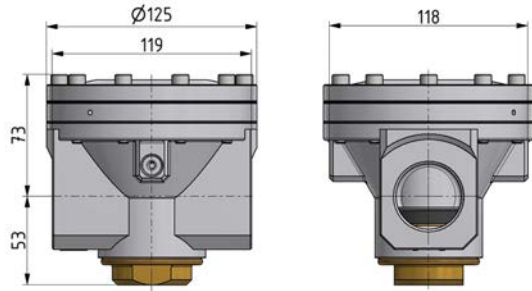
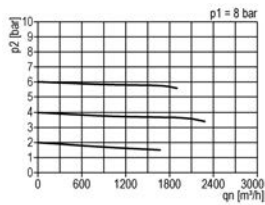
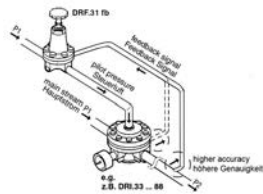


Image shows:
9.1576.00.100.0

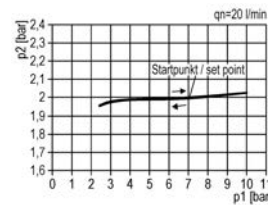
flow characteristic



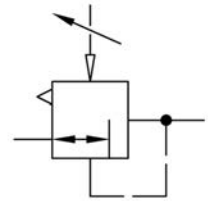
operating conditions



pressure characteristic



symbol



technical data

- **description:** air line regulator with diaphragm and relieving feature, pneumatic pilot-operated (1:1)
- **medium:** compressed air, neutral gases
- **supply pressure P1 max.:** 25 bar
- **temperature range:** -10°C - +80°C

accessories

- **mounting bracket:** [BW.50](#)

type	part-number	description
DRI.76	9.1576.00.100.0	Pressure regulator G1 1/4 pneumatic pilot operated (G1/4)
DRI.77	9.1577.00.100.0V	Pressure regulator G1 1/2 pneumatic pilot operated (G1/4)

Service 3 unit

Service 2 unit

Filter regulator

Filter

Pressure regulator

Lubricator

System extensions

Accessories

Special products

Pressure regulator pneumatic pilot operated | BG8

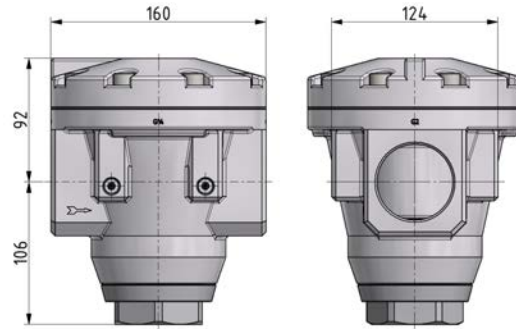
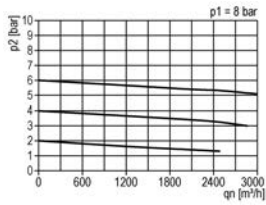


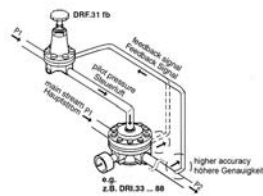
Image shows:
9.1587.00.100.0V

Image shows:
9.1587.00.100.0V

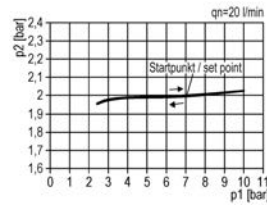
flow characteristic



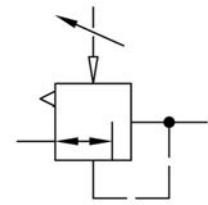
operating conditions



pressure characteristic



symbol



technical data

- **description:** air line regulator with diaphragm and relieving feature, pneumatic pilot-operated (1:1)
- **medium:** compressed air, neutral gases
- **supply pressure P1 max.:** 25 bar
- **temperature range:** -10°C - +80°C

accessories

type	part-number	description
DRI.87	9.1587.00.100.0V	Pressure regulator G1 1/2 pneumatic pilot operated (G1/4)
DRI.88	9.1588.00.100.0V	Pressure regulator G2 pneumatic pilot operated (G1/4)

Service 3 unit

Service 2 unit

Filter regulator

Filter

Pressure regulator

Lubricator

System extensions

Accessories

Special products

Pressure regulator for oxygen | BGO



Image shows:
9.1600.00.002

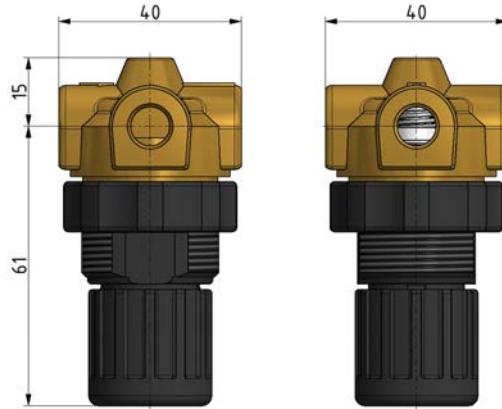
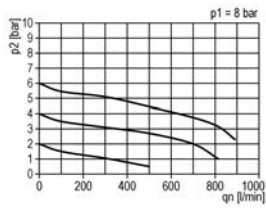
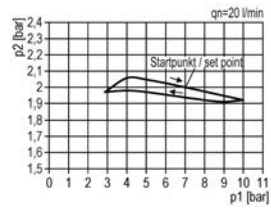


Image shows:
9.1600.00.002

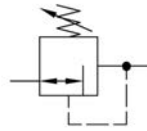
flow characteristic



pressure characteristic



symbol



technical data

- **description:** air line regulator with diaphragm without relieving feature
- **medium:** compressed air, medical oxygen, NO₂ (nitrous oxide)
- **supply pressure P1 max.:** 14 bar
- **temperature range:** -10°C - +60°C

accessories

- **control panel mounting:**
[WH.M.30/DR.00-34](#)

type	part-number	description
DR.00 mO	9.1600.00.002	Pressure regulator G1/8 0,5-10 for medical oxygen
DR.01 mO	9.1601.00.016	Pressure regulator G1/4 0,5-10 for medical oxygen

Service 3 unit

Service 2 unit

Filter regulator

Filter

Pressure regulator

Lubricator

System extensions

Accessories

Special products

Pressure regulator for oxygen | BG3



Image shows:
9.1633.00.002

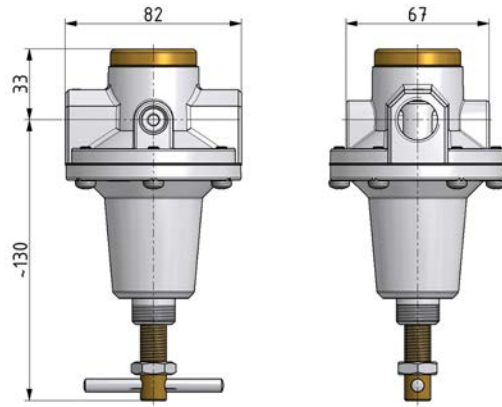
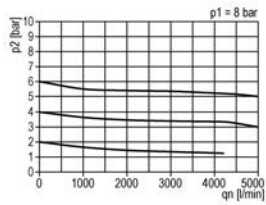
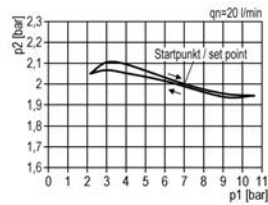


Image shows:
9.1633.00.002

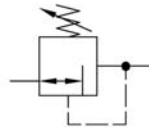
flow characteristic



pressure characteristic



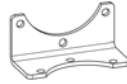
symbol



technical data

- **description:** air line regulator with diaphragm without relieving feature
- **medium:** compressed air, oxygen, non corrosive gases
- **supply pressure P1 max.:** 14 bar
- **temperature range:** -10°C - +60°C

accessories



- mounting bracket: [BW.30](#)

- control panel mounting: nut DR.11-7

type

DR.33 O

part-number

9.1633.00.002

description

Pressure regulator G1/2 0,5-10 for oxygen, free from grease and oil

Pressure regulator for oxygen | BG5



Image shows:
9.1655.00.001.0

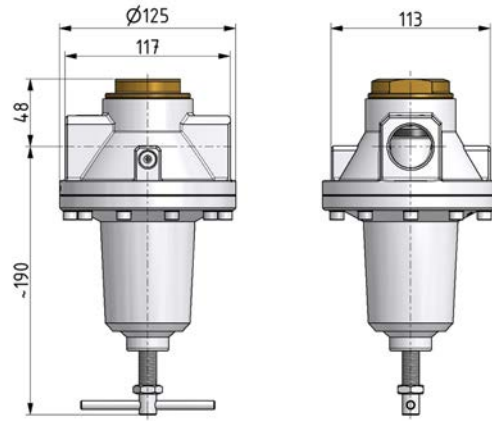
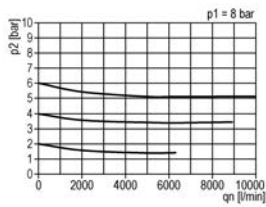
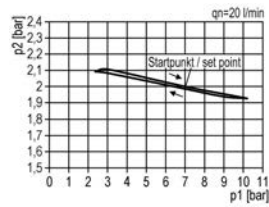


Image shows:
9.1655.00.001.0

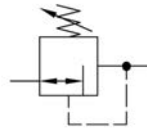
flow characteristic



pressure characteristic



symbol



technical data

- **description:** air line regulator with diaphragm without relieving feature
- **medium:** compressed air, oxygen, non corrosive gases
- **supply pressure P1 max.:** 14 bar
- **temperature range:** -10°C - +60°C

accessories

- 
- **mounting bracket:** [BW.50](#)

type

DR.55 O

part-number

9.1655.00.001.0

description

Pressure regulator G1 0,5-10 for oxygen

Service 3 unit

Service 2 unit

Filter regulator

Filter

Pressure regulator

Lubricator

System extensions

Accessories

Special products

Pressure regulator stainless steel | BGO

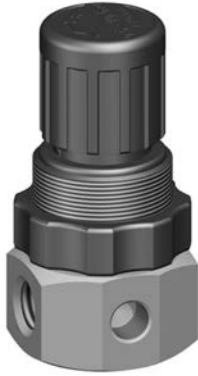


Image shows:
9.1501.00.1000.V

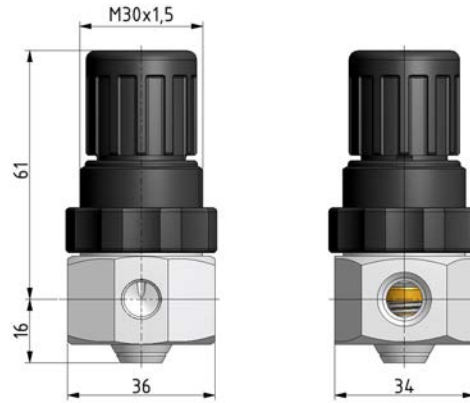
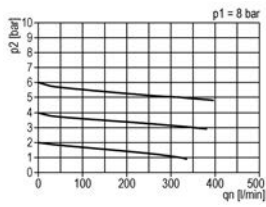
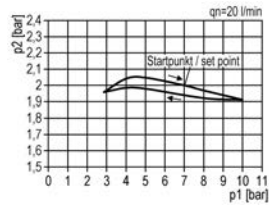


Image shows:
9.1501.00.1000.V

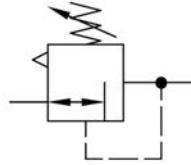
flow characteristic



pressure characteristic



symbol



technical data

- **description:** air line regulator with diaphragm and relieving feature
- **medium:** compressed air, neutral gases
- **supply pressure P1 max.:** 16 bar
- **temperature range:** -10°C - +80°C

accessories

- **control panel mounting:** nut
C.00-34

type

XDR.01

part-number

9.1501.00.1000.V

description

Pressure regulator G1/4 0,5-10 stainless steel

Pressure regulator stainless steel | BGO



Image shows:
9.1501.00.1200.V

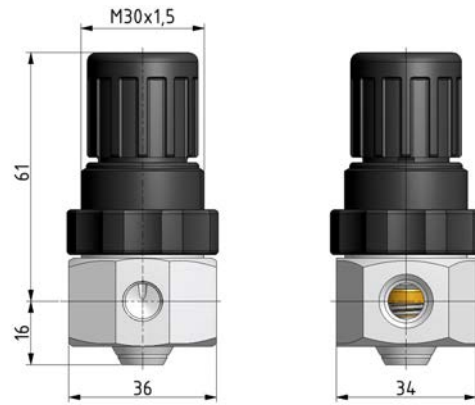
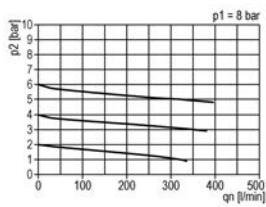
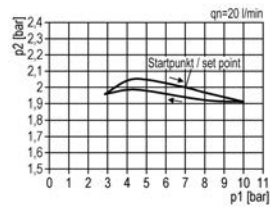


Image shows:
9.1501.00.1200.V

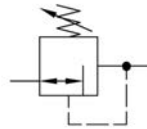
flow characteristic



pressure characteristic



symbol



technical data

- **description:** air line regulator with diaphragm and relieving feature
- **medium:** compressed air, neutral gases
- **supply pressure P1 max.:** 25 bar
- **temperature range:** -10°C - +80°C

accessories

- **control panel mounting:** nut
C.00-34

type

XXDR.01

part-number

9.1501.00.1200.V

description

Pressure regulator G1/4 0,5-10 from stainless steel (V4A), Viton seals

Service 3 unit

Service 2 unit

Filter regulator

Filter

Pressure regulator

Lubricator

System extensions

Accessories

Special products

Pressure regulator for water | BGO



Image shows:
9.1500.00.600.V

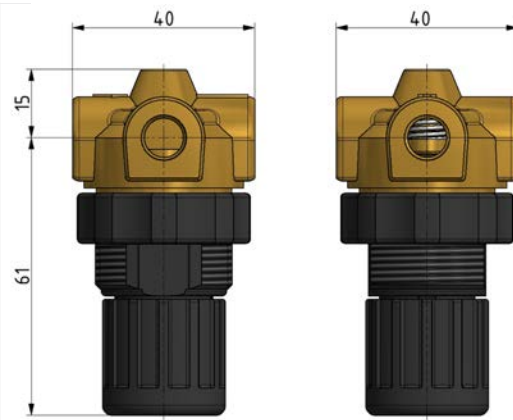
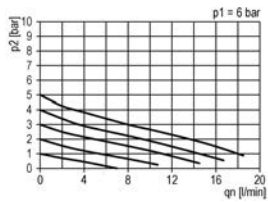
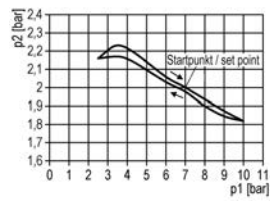


Image shows:
9.1500.00.600.V

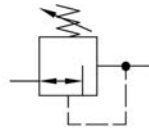
flow characteristic



pressure characteristic



symbol



technical data

- **description:** air line regulator with diaphragm without relieving feature
- **medium:** water, neutral liquids
- **supply pressure P1 max.:** 25 bar
- **temperature range:** -10°C - +60°C

accessories



- **control panel mounting:**
[WH.M.30/DR.00-34](#)

type	part-number	description
DR.021-00	9.1500.00.600.V	Pressure regulator G1/8 0,5-10 for water
DR.021-01	9.1501.00.600.V	Pressure regulator G1/4 0,5-10 for water

Pressure regulator for brake fluid | BGO



Image shows:
9.1601.00.038

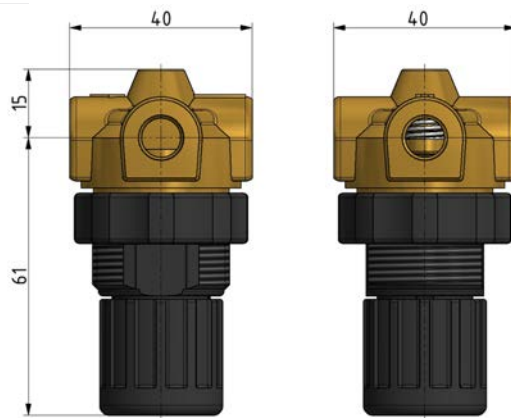
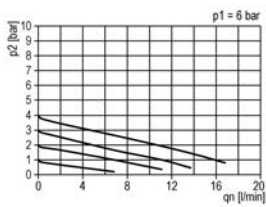
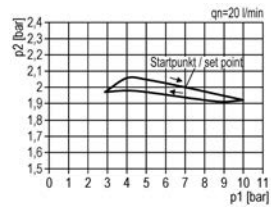


Image shows:
9.1601.00.038

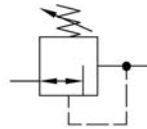
flow characteristic



pressure characteristic



symbol



technical data

- **description:** air line regulator with diaphragm without relieving feature
- **medium:** brake fluid
- **supply pressure P1 max.:** 25 bar
- **temperature range:** -10°C - +60°C

accessories

- control panel mounting:
[WH.M.30/DR.00-34](#)

type

DR.01 B

part-number

9.1601.00.038

description

Pressure regulator G1/4 0,5-10 for brake fluid (EPDM)

Service 3 unit

Service 2 unit

Filter regulator

Filter

Pressure regulator

Lubricator

System extensions

Accessories

Special products

Feedback regulator | BG3



Image shows:
9.6231.00.516.2V

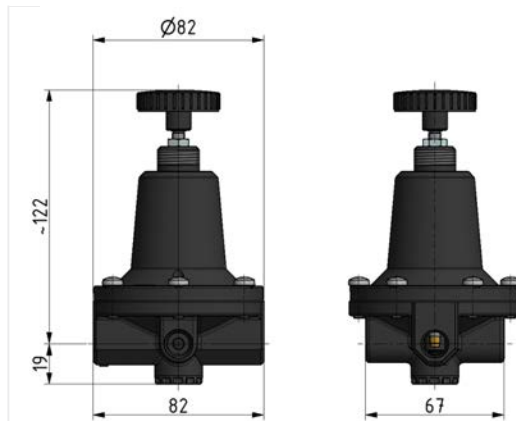
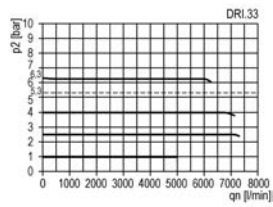
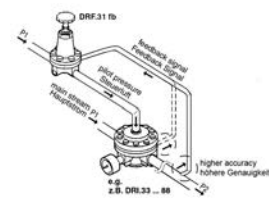


Image shows:
9.6231.00.516.2V

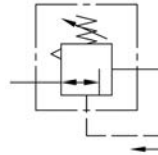
flow characteristic



operating conditions



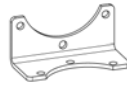
symbol



technical data

- **description:** air line regulator with diaphragm for feedback systems (e.g. together with DRI.33 ... 88)
- **medium:** compressed air, neutral gases
- **supply pressure P1 max.:** 16 bar
- **temperature range:** -10°C - +60°C
- **air consumption:** 3 - 6 l/min

accessories



- mounting bracket: [BW.30](#)

- control panel mounting: nut DR.11-7

type

DRF.31 fb

part-number

9.6231.00.516.2V

description

Feedback regulator G1/4 0,2-7

Pressure regulator pilot control | BG3



Image shows:
9.1532.00.200.0V

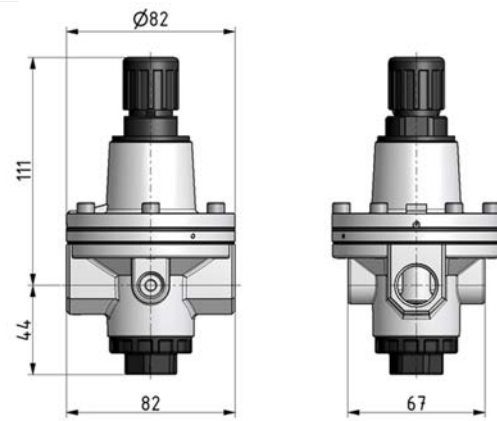
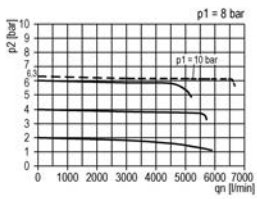
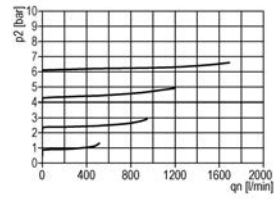


Image shows:
9.1532.00.200.0V

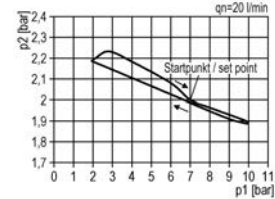
flow characteristic



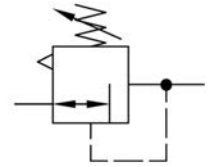
exhaust characteristics



pressure characteristic



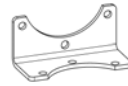
symbol



technical data

- **description:** air line regulator with diaphragm and high relieving feature, pilot operated
- **medium:** compressed air, neutral gases
- **supply pressure P1 max.:** 16 bar
- **temperature range:** -10°C - +60°C
- **air consumption:** < 1 l/min at P2 6 bar

accessories



- **mounting bracket:**
[FDR.03-52](#)

type	part-number	description
DRP.32 HR	9.1532.00.200.0V	Pressure regulator G3/8 0,5-10 pilot control
DRP.33 HR	9.1533.00.200.0V	Pressure regulator G1/2 0,5-10 pilot control

Service 3 unit

Service 2 unit

Filter regulator

Filter

Pressure regulator

Lubricator

System extensions

Accessories

Special products

Pressure regulator for oxygen | BGO



Image shows:
9.1600.00.350/2

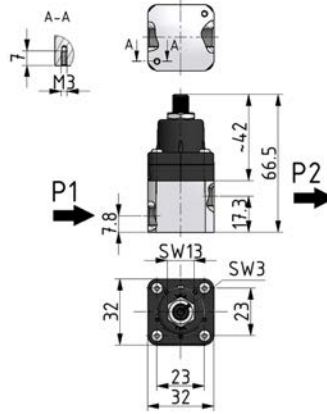
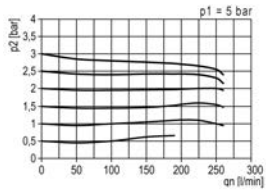
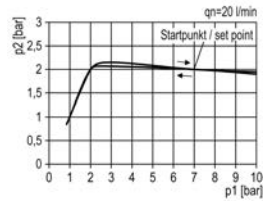


Image shows:
9.1600.00.350/2

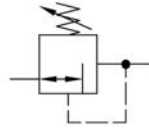
flow characteristic



pressure characteristic



symbol



technical data

- **description:** air line regulator with diaphragm and cartridge regulation, without relieving feature
- **medium:** compressed air, medical oxygen, NO₂ (nitrous oxide)
- **supply pressure P1 max.:** 10 bar
- **temperature range:** -5°C - +95°C

accessories

type	part-number	description
DR.036-00 mO	9.1600.00.350/2	Pressure regulator 32x32 G1/8 0,2-2,8
DR.036 mO	9.160X.00.350	Pressure regulator 32x32 screw in cartridge 0,2-2,8
DR.036 mO	9.160X.00.355	Pressure regulator 32x32 screw in cartridge 0,2-4

Precision pressure regulator | BG1



Image shows:
9.6211.00.000.0V

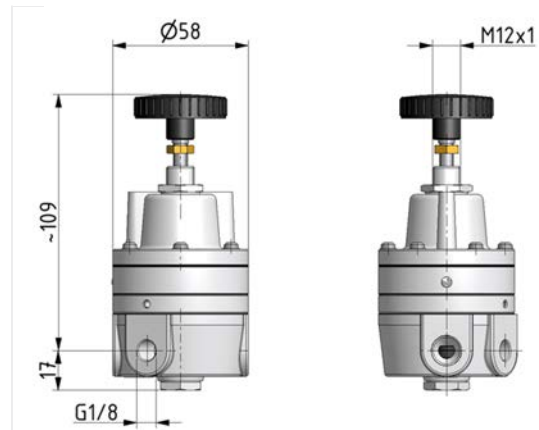
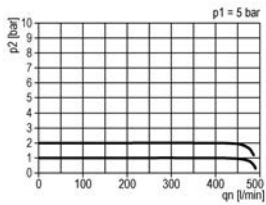
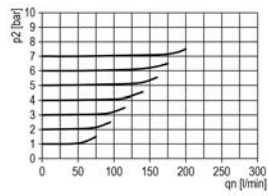


Image shows:
9.6211.00.000.0V

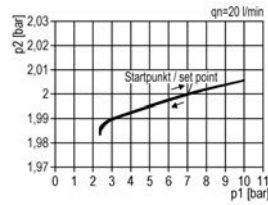
flow characteristic



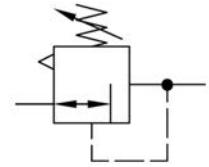
exhaust characteristics



pressure characteristic



symbol



technical data

- **description:** air line regulator with diaphragm and relieving feature
- **medium:** compressed air, neutral gases
- **supply pressure P1 max.:** 16 bar
- **temperature range:** -10°C - +60°C
- **air consumption:** < 2,2 l/min at P1 5 bar, < 3,0 l/min at P1 7 bar, < 4,1 l/min at P1 10 bar

accessories



- **mounting bracket:**
[FDR.02-52](#)

type	part-number	description
FDR.02 B2 S	9.6211.00.000.0V	Precision pressure regulator G1/4 0,05-2 (nonferrous metal)
FDR.02 B4 S	9.6211.00.001.0V	Precision pressure regulator G1/4 0,05-4 (nonferrous metal)
FDR.02 B7 S	9.6211.00.002.0V	Precision pressure regulator G1/4 0,05-7 (nonferrous metal)
FDR.02 B10 S	9.6211.00.003.0V	Precision pressure regulator G1/4 0,05-10 (nonferrous metal)

Service 3 unit

Service 2 unit

Filter regulator

Filter

Pressure regulator

Lubricator

System extensions

Accessories

Special products

Precision pressure regulator | BG1

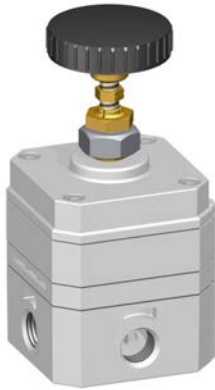


Image shows:
9.6211.00.300

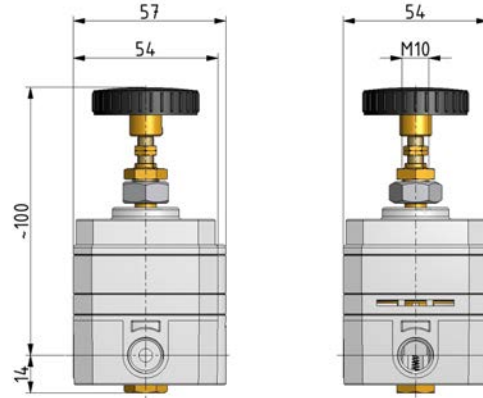
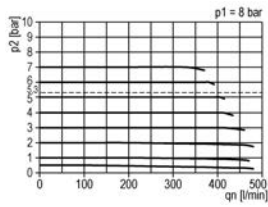
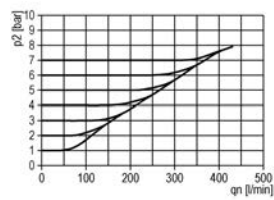


Image shows:
9.6211.00.300

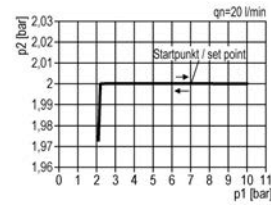
flow characteristic



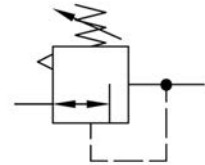
exhaust characteristics



pressure characteristic



symbol



technical data

- **description:** air line regulator with diaphragm and relieving feature, large ventilation cross-section
- **medium:** compressed air, neutral gases
- **supply pressure P1 max.:** 16 bar
- **temperature range:** -10°C - +60°C
- **air consumption:** 2,6 l/min at P2 = 6 bar

accessories



- mounting bracket:
[FDR.04-34](#)

type	part-number	description
FDR.04 B8	9.6211.00.300	Precision pressure regulator G1/4 0,1-8
FDR.04 B4	9.6211.00.301	Precision pressure regulator G1/4 0,1-4

Precision pressure regulator | BG1



Image shows:
9.6211.00.400/V

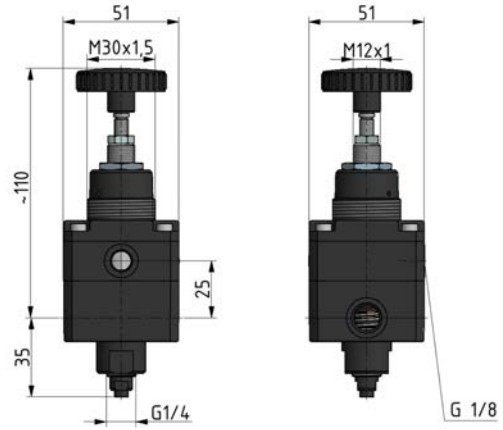
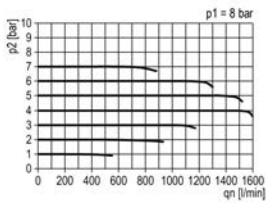
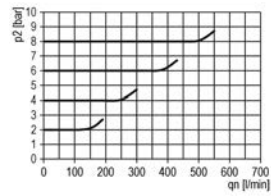


Image shows:
9.6211.00.400/V

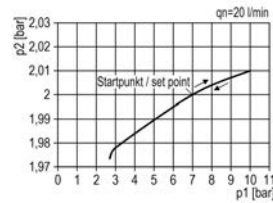
flow characteristic



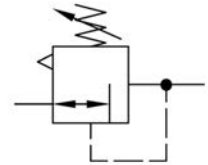
exhaust characteristics



pressure characteristic



symbol



technical data

- **description:** air line regulator with diaphragm and high relieving feature
- **medium:** compressed air, neutral gases
- **supply pressure P1 max.:** 16 bar
- **temperature range:** -10°C - +60°C
- **control panel nut:** control panel nut
- **air consumption:** < 0,5 l/min at P1 = 8 bar (collected exhaust air and air consumption with port size G 1/4 at the bottom)

accessories



- **control panel mounting:**
[MW.30/DR.00-34-2](#)

type	part-number	description
FDR.07 B8 S	9.6211.00.400/V	Precision pressure regulator G1/4 0,05-8 with panel mounting ring
FDR.07 B4 S	9.6211.00.401/V	Precision pressure regulator G1/4 0,05-4 with panel mounting ring

Service 3 unit

Service 2 unit

Filter regulator

Filter

Pressure regulator

Lubricator

System extensions

Accessories

Special products

Precision pressure regulator | BG3



Image shows:
9.6231.00.400.0V

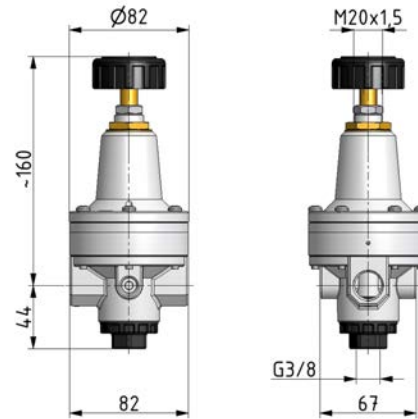
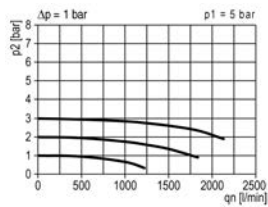
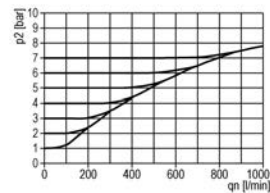


Image shows:
9.6231.00.400.0V

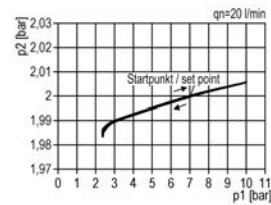
flow characteristic



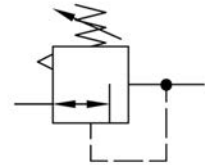
exhaust characteristics



pressure characteristic



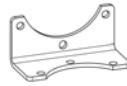
symbol



technical data

- **description:** air line regulator with diaphragm and relieving feature
- **medium:** compressed air, neutral gases
- **supply pressure P1 max.:** 16 bar
- **temperature range:** -35°C - +60°C
- **control panel nut:** control panel nut
- **air consumption:** < 1,5 l/min at P1 5 bar, < 2,0 l/min at P1 7 bar, < 4,0 l/min at P1 10 bar, < 6,0 l/min at P1 12 bar

accessories



- **mounting bracket:**
[FDR.03-52](#)

type	part-number	description
FDR.03-31 B3 S	9.6231.00.400.0V	Precision pressure regulator G1/4 0,05-3
FDR.03-31 B5 S	9.6231.00.401.0V	Precision pressure regulator G1/4 0,05-5
FDR.03-31 B7 S	9.6231.00.402.0V	Precision pressure regulator G1/4 0,05-7
FDR.03-31 B10 S	9.6231.00.403.0V	Precision pressure regulator G1/4 0,05-10
FDR.03-32 B3 S	9.6232.00.400.0V	Precision pressure regulator G3/8 0,05-3
FDR.03-32 B5 S	9.6232.00.401.0V	Precision pressure regulator G3/8 0,05-5
FDR.03-32 B7 S	9.6232.00.402.0V	Precision pressure regulator G3/8 0,05-7
FDR.03-32 B10 S	9.6232.00.403.0V	Precision pressure regulator G3/8 0,05-10
FDR.03-33 B3 S	9.6233.00.400.0V	Precision pressure regulator G1/2 0,05-3
FDR.03-33 B5 S	9.6233.00.401.0V	Precision pressure regulator G1/2 0,05-5
FDR.03-33 B7 S	9.6233.00.402.0V	Precision pressure regulator G1/2 0,05-7
FDR.03-33 B10 S	9.6233.00.403.0V	Precision Pressure Regulator / G 1/2" / FDR.03-33 B10 S

Service 3 unit

Service 2 unit

Filter regulator

Filter

Pressure regulator

Lubricator

System extensions

Accessories

Special products

Precision pressure regulator pneumatic pilot operated | BG3

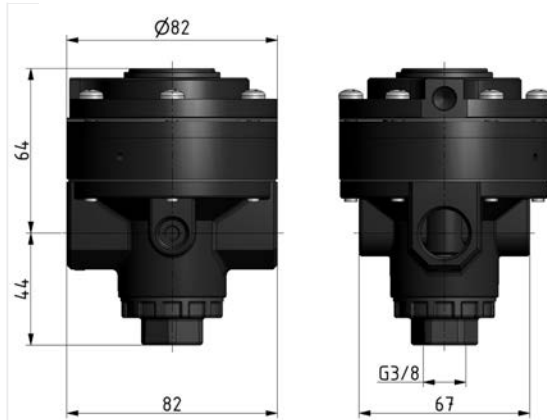
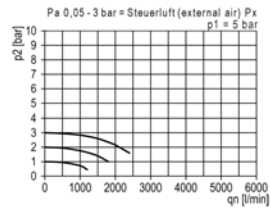


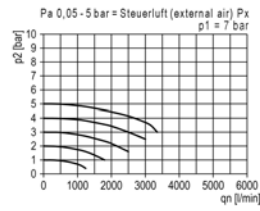
Image shows:
9.6231.00.460.2V

Image shows:
9.6231.00.460.2V

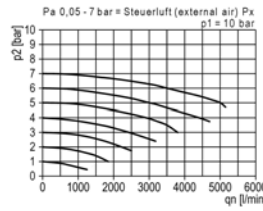
flow characteristic 1



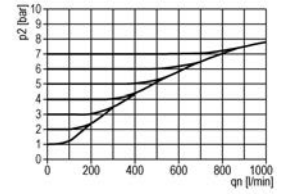
flow characteristic 2



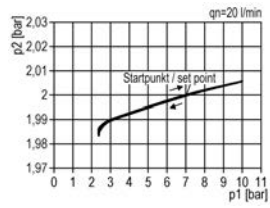
flow characteristic 3



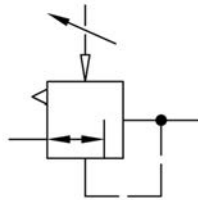
exhaust characteristics



pressure characteristic



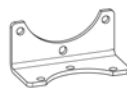
symbol



technical data

- **description:** air line regulator with diaphragm and relieving feature, pneumatic pilot-operated (1:1)
- **medium:** compressed air, neutral gases
- **supply pressure P1 max.:** 16 bar
- **temperature range:** -35°C - +60°C
- **air consumption:** < 6 l/min at P1 16 bar

accessories



- **mounting bracket:**
[FDR.03-52](#)

type	part-number	description
FDRI.03-31 B	9.6231.00.460.2V	Precision pressure regulator G1/4 pneumatic pilot operated (G1/8) (black painted)
FDRI.03-32 B	9.6232.00.460.2V	Precision pressure regulator G3/8 pneumatic pilot operated (G1/8) (black painted)
FDRI.03-33 B	9.6233.00.460.2V	Precision pressure regulator G1/2 pneumatic pilot operated (G1/8) (black painted)

Service 3 unit

Service 2 unit

Filter regulator

Filter

Pressure regulator

Lubricator

System extensions

Accessories

Special products

Precision pressure regulator | BG1



Image shows:
9.6211.00.163.0V

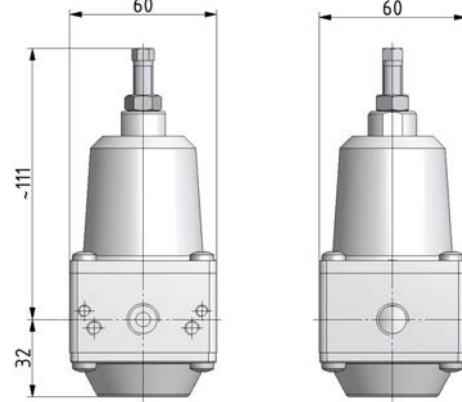
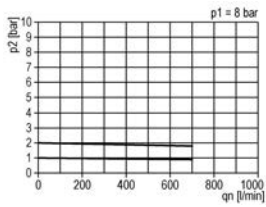
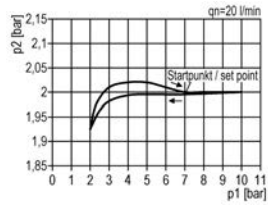


Image shows:
9.6211.00.163.0V

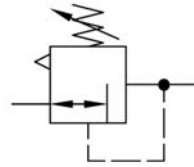
flow characteristic



pressure characteristic



symbol



technical data

- **description:** air line regulator with diaphragm and relieving feature
- **medium:** compressed air, neutral gases
- **supply pressure P1 max.:** 16 bar
- **temperature range:** -10°C - +60°C
- **air consumption:** 0,2 l/min, depend upon secondary pressure

accessories



- **mounting bracket:**
[FDP.11-40](#)

type	part-number	description
FDR.11 E2	9.6211.00.163.0V	Precision pressure regulator G1/4 0,1-2
FDR.11 E3	9.6211.00.164.0V	Precision pressure regulator G1/4 0,1-3
FDR.11 E5	9.6211.00.165.0V	Precision pressure regulator G1/4 0,2-5

Service 3 unit

Service 2 unit

Filter regulator

Filter

Pressure regulator

Lubricator

System extensions

Accessories

Special products

Precision regulator | BG3



Image shows:
9.6231.00.217.0V

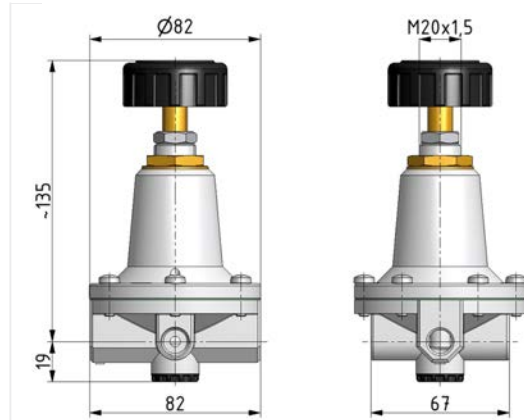
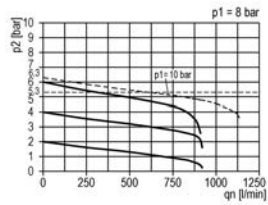
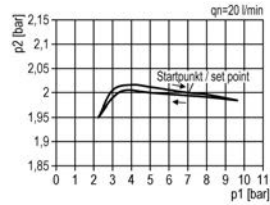


Image shows:
9.6231.00.217.0V

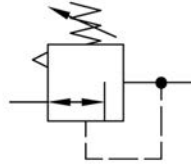
flow characteristic



pressure characteristic



symbol



technical data

- **description:** air line regulator with diaphragm and relieving feature
- **medium:** compressed air, neutral gases
- **supply pressure P1 max.:** 16 bar
- **temperature range:** -10°C - +60°C
- **control panel nut:** control panel nut

accessories

type

DRF.31 S

part-number

9.6231.00.217.0V

description

Fine pressure regulator G1/4 0,5-10 with panel mounting ring

Service 3 unit

Service 2 unit

Filter regulator

Filter

Pressure regulator

Lubricator

System extensions

Accessories

Special products

Lubricator | BGO



Image shows:
9.2300.00.000.0V

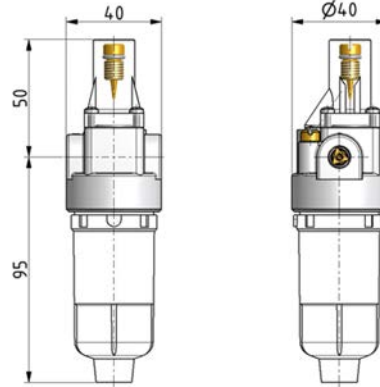
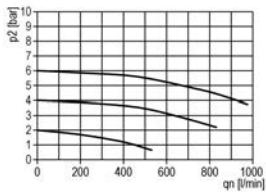
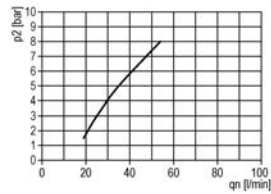


Image shows:
9.2300.00.000.0V

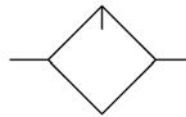
flow characteristic



lubricator operating limit



symbol



technical data

- **description:** proportional lubricator
- **medium:** compressed air, neutral gases
- **supply pressure P1 max.:** 16 bar
- **temperature range:** -10°C - +60°C
- **bowl:** PC
- **mounting:** vertical
- **bowl volume lubricator:** 17 cm³
- **oil type:** CL 32 DIN 51517 - ISO VG 32
- **dome assembly:** PC
- **oil fill in:** can be filled with oil during operation

accessories

type	part-number	description
DO.00	9.2300.00.000.0V	Lubricator G1/8 with PC bowl
DO.00 M	9.2300.00.002.0V	Lubricator G1/8 with metal bowl
DO.01	9.2301.00.000.0V	Lubricator G1/4 with PC bowl
DO.01 M	9.2301.00.002.0V	Lubricator G1/4 with metal bowl

Service 3 unit

Service 2 unit

Filter regulator

Filter

Pressure regulator

Lubricator

System extensions

Accessories

Special products

Lubricator | BG1



Image shows:
9.2311.00.000.0V

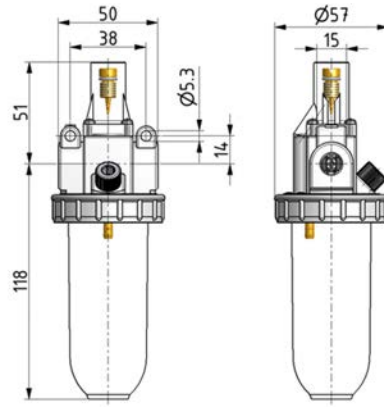
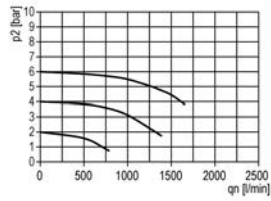
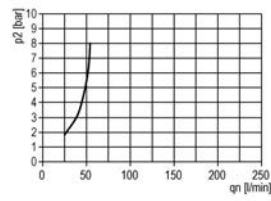


Image shows:
9.2311.00.000.0V

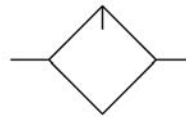
flow characteristic



lubricator operating limit



symbol



technical data

- **description:** proportional lubricator
- **medium:** compressed air, neutral gases
- **supply pressure P1 max.:** 16 bar
- **temperature range:** -10°C - +60°C
- **bowl:** PC
- **mounting:** vertical
- **bowl volume lubricator:** 40 cm³
- **oil type:** CL 32 DIN 51517 - ISO VG 32
- **dome assembly:** PC
- **oil fill in:** can be filled with oil during operation

accessories



- mounting bracket: [ZW.10](#)

- electrical level indicator (version addition: N)

type	part-number	description
DO.11	9.2311.00.000.0V	Lubricator G1/4 with PC bowl
DO.11 M	9.2311.00.0021.V	Lubricator G1/4 with metal bowl and metal dome
DO.11 B	9.2311.00.003.0V	Lubricator G1/4 with PC bowl and bowl guard
DO.12	9.2312.00.000.0V	Lubricator G3/8 with PC bowl
DO.12 M	9.2312.00.0021.V	Lubricator G3/8 with metal bowl and metal dome
DO.12 B	9.2312.00.003.0V	Lubricator G3/8 with PC bowl and bowl guard

Lubricator | BG2



Image shows:
9.2322.00.000.0V

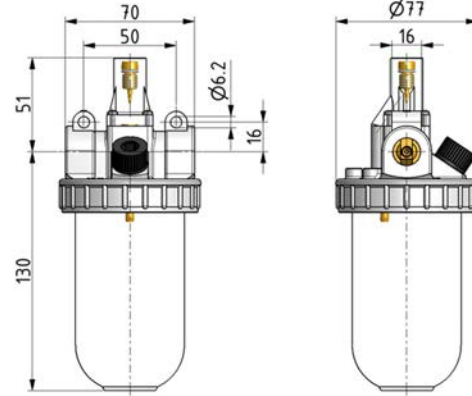
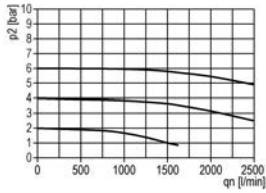
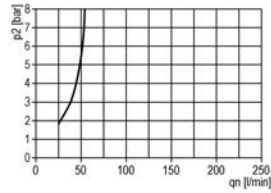


Image shows:
9.2322.00.000.0V

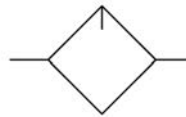
flow characteristic



lubricator operating limit



symbol



technical data

- **description:** proportional lubricator
- **medium:** compressed air, neutral gases
- **supply pressure P1 max.:** 16 bar
- **temperature range:** -10°C - +60°C
- **bowl:** PC
- **mounting:** vertical
- **bowl volume lubricator:** 110 cm³
- **oil type:** CL 32 DIN 51517 - ISO VG 32
- **dome assembly:** PC
- **oil fill in:** can be filled with oil during operation

accessories

- mounting bracket: [ZW.30](#)
- electrical level indicator (version addition: N)

type	part-number	description
DO.22	9.2322.00.000.0V	Lubricator G3/8 with PC bowl
DO.22 M	9.2322.00.002.0V	Lubricator G3/8 with metal bowl
DO.22 B	9.2322.00.003.0V	Lubricator G3/8 with PC bowl and bowl guard
DO.23	9.2323.00.000.0V	Lubricator G1/2 with PC bowl
DO.23 M	9.2323.00.002.0V	Lubricator G1/2 with metal bowl
DO.23 B	9.2323.00.003.0V	Lubricator G1/2 with PC bowl and bowl guard

Service 3 unit

Service 2 unit

Filter regulator

Filter

Pressure regulator

Lubricator

System extensions

Accessories

Special products

Lubricator | BG3



Image shows:
9.2333.00.000.0V

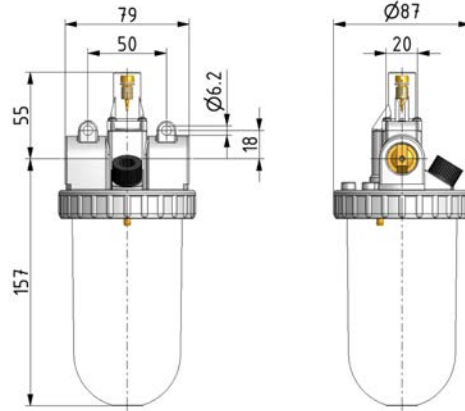
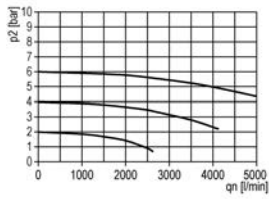
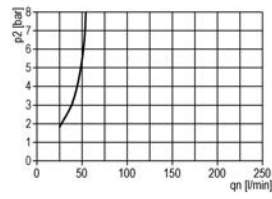


Image shows:
9.2333.00.000.0V

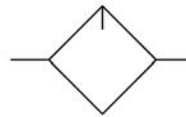
flow characteristic



lubricator operating limit



symbol



technical data

- **description:** proportional lubricator
- **medium:** compressed air, neutral gases
- **supply pressure P1 max.:** 16 bar
- **temperature range:** -10°C - +60°C
- **bowl:** PC
- **mounting:** vertical
- **bowl volume lubricator:** 135 cm³
- **oil type:** CL 32 DIN 51517 - ISO VG 32
- **dome assembly:** PC
- **oil fill in:** can be filled with oil during operation

accessories



- mounting bracket: [ZW.30](#)

- electrical level indicator (version addition: N)

type	part-number	description
DO.33	9.2333.00.000.0V	Lubricator G1/2 with PC bowl
DO.33 M	9.2333.00.0021.V	Lubricator G1/2 with metal bowl, metal dome and brass oil filler screw
DO.33 B	9.2333.00.003.0V	Lubricator G1/2 with PC bowl and bowl guard

Lubricator | BG3

Service 3 unit

Service 2 unit



Image shows:
9.2334.00.000.0V

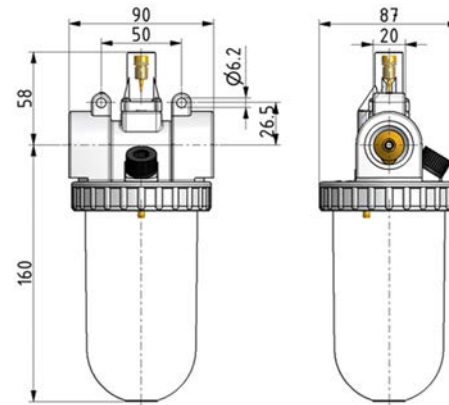
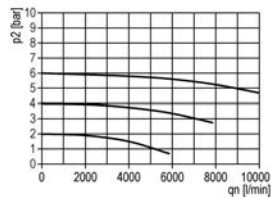


Image shows:
9.2334.00.000.0V

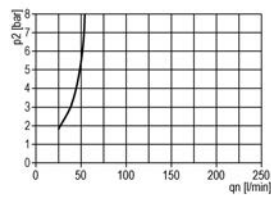
Filter regulator

Filter

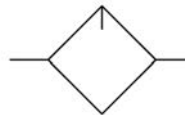
flow characteristic



lubricator operating limit



symbol



Pressure regulator

Lubricator

technical data

- **description:** proportional lubricator
- **medium:** compressed air, neutral gases
- **supply pressure P1 max.:** 16 bar
- **temperature range:** -10°C - +60°C
- **bowl:** PC
- **mounting:** vertical
- **bowl volume lubricator:** 135 cm³
- **oil type:** CL 32 DIN 51517 - ISO VG 32
- **dome assembly:** PC
- **oil fill in:** can be filled with oil during operation

accessories



- mounting bracket: [ZW.30](#)

- electrical level indicator (version addition: N)

System extensions

Accessories

Special products

type	part-number	description
DO.34	9.2334.00.000.0V	Lubricator G3/4 with PC bowl
DO.34 M	9.2334.00.002.0V	Lubricator G 3/4 with metal bowl
DO.34 B	9.2334.00.003.0V	Lubricator G 3/4 with metal bowl and bowl guard
DO.35	9.2335.00.000.0V	Lubricator G1 with PC bowl
DO.35 M	9.2335.00.002.0V	Lubricator G1 with metal bowl
DO.35 B	9.2335.00.003.0V	Lubricator G1 with PC bowl and bowl guard

Lubricator | BG5



Image shows:
9.2354.00.000.0V

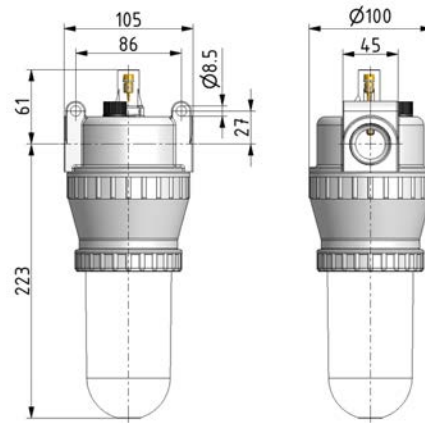
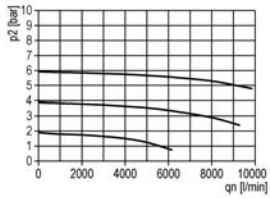
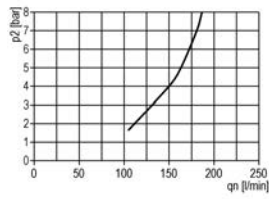


Image shows:
9.2354.00.000.0V

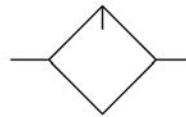
flow characteristic



lubricator operating limit



symbol



technical data

- **description:** proportional lubricator
- **medium:** compressed air, neutral gases
- **supply pressure P1 max.:** 16 bar
- **temperature range:** -10°C - +60°C
- **bowl:** PC
- **mounting:** vertical
- **bowl volume lubricator:** 550 cm³
- **oil type:** CL 32 DIN 51517 - ISO VG 32
- **dome assembly:** PC
- **oil fill in:** can be filled with oil during operation

accessories

- electrical level indicator (version addition: N)

type	part-number	description
DO.54	9.2354.00.000.0V	Lubricator G3/4 with PC bowl
DO.54 M	9.2354.00.002.01	Lubricator G3/4 with metal bowl and metal dome
DO.54 M/1,5L	9.2354.00.002.02	Lubricator G3/4 with metal bowl (long)
DO.54 B	9.2354.00.003.0V	Lubricator G3/4 with PC bowl and bowl guard
DO.55	9.2355.00.000.0V	Lubricator G1 with PC bowl
DO.55 M/1,5L	9.2355.00.002.02	Lubricator G1 with metal bowl (long)
DO.55 M	9.2355.00.00201V	Lubricator G1 with metal bowl and metal dome
DO.55 B	9.2355.00.003.0V	Lubricator G1 with PC bowl and bowl guard

Service 3 unit

Service 2 unit

Filter regulator

Filter

Pressure regulator

Lubricator

System extensions

Accessories

Special products

Lubricator | BG5



Image shows:
9.2357.00.000.0V

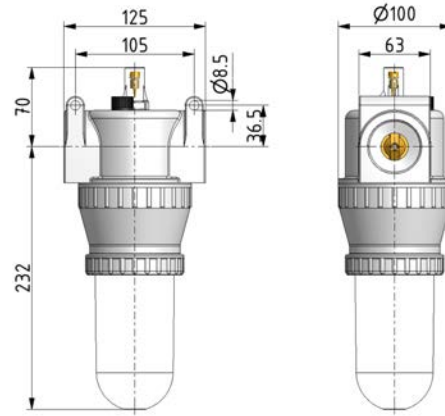
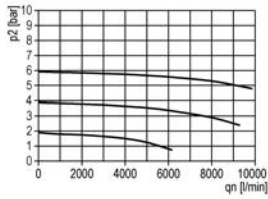
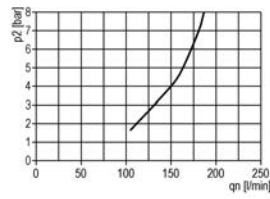


Image shows:
9.2357.00.000.0V

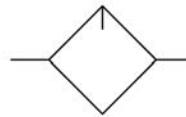
flow characteristic



lubricator operating limit



symbol



technical data

- **description:** proportional lubricator
- **medium:** compressed air, neutral gases
- **supply pressure P1 max.:** 16 bar
- **temperature range:** -10°C - +60°C
- **bowl:** PC
- **mounting:** vertical
- **bowl volume lubricator:** 550 cm³
- **oil type:** CL 32 DIN 51517 - ISO VG 32
- **dome assembly:** PC
- **oil fill in:** can be filled with oil during operation

accessories

- electrical level indicator (version addition: N)

type	part-number	description
DO.57	9.2357.00.000.0V	Lubricator G1 ½ with PC bowl
DO.57 M/1,5L	9.2357.00.002.02	Lubricator G1 ½ with metal bowl (long)
DO.57 M	9.2357.00.002.0V	Lubricator G1 ½ with metal bowl
DO.57 B	9.2357.00.003.0V	Lubricator G1 ½ with PC bowl and bowl guard

Lubricator | BG8



Image shows:
9.2386.00.000.0V

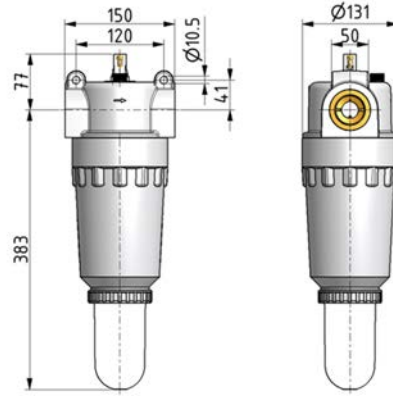
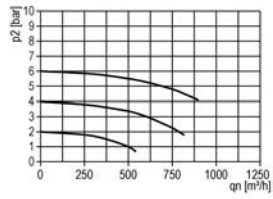
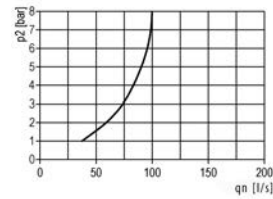


Image shows:
9.2386.00.000.0V

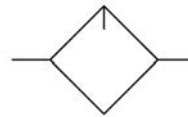
flow characteristic



lubricator operating limit



symbol



technical data

- **description:** proportional lubricator
- **medium:** compressed air, neutral gases
- **supply pressure P1 max.:** 16 bar
- **temperature range:** -10°C - +60°C
- **bowl:** PC
- **mounting:** vertical
- **bowl volume lubricator:** 1700 cm³
- **oil type:** CL 32 DIN 51517 - ISO VG 32
- **dome assembly:** PC
- **oil fill in:** can be filled with oil during operation

accessories

- electrical level indicator
(version addition: N)

type	part-number	description
DO.86	9.2386.00.000.0V	Lubricator G1 1/4 with PC bowl
DO.87	9.2387.00.000.0V	Lubricator G1 1/2 with PC bowl
DO.87 M	9.2387.00.002.0V	Lubricator G1 1/2 with metal bowl
DO.88	9.2388.00.000.0V	Lubricator G2 with PC bowl
DO.88 M	9.2388.00.00201V	Lubricator G2 with metal bowl and metal dome
DO.88 B	9.2388.00.003.0V	Lubricator G2 with PC bowl and bowl guard

Service 3 unit

Service 2 unit

Filter regulator

Filter

Pressure regulator

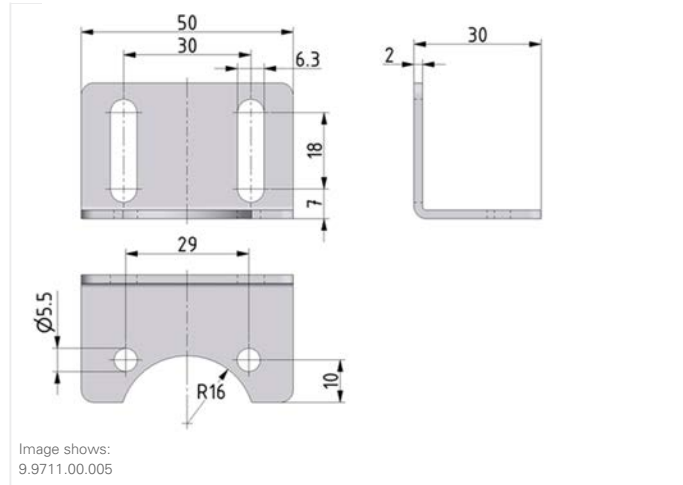
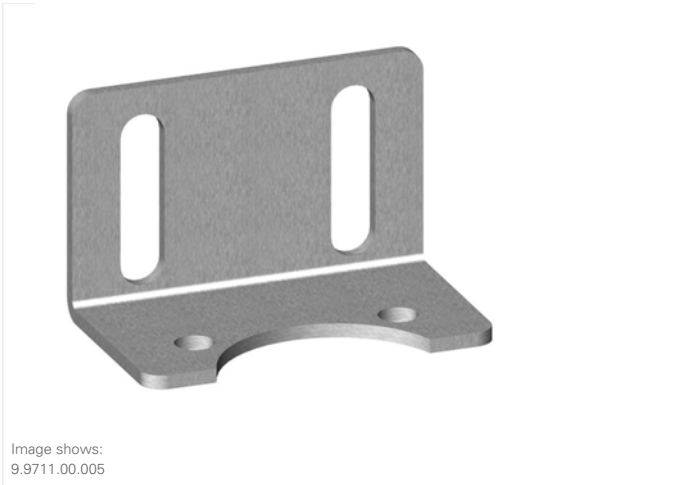
Lubricator

System extensions

Accessories

Special products

Mounting bracket | BG2



technical data

- **description:** Mounting bracket
- **material:** steel galvanized
- **fixing:** mounting with 2 screws

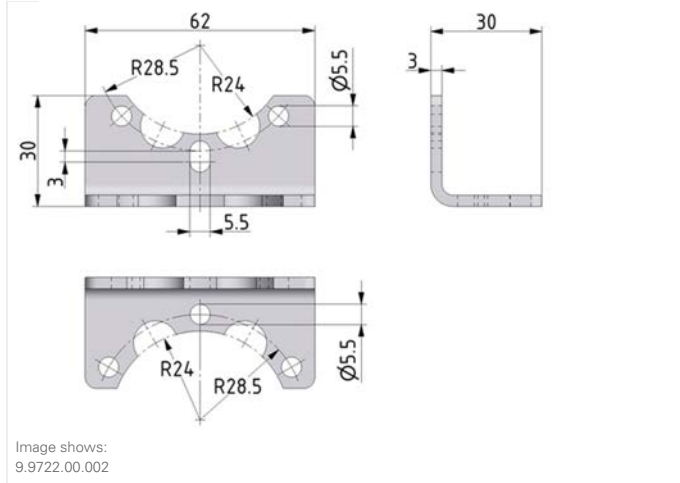
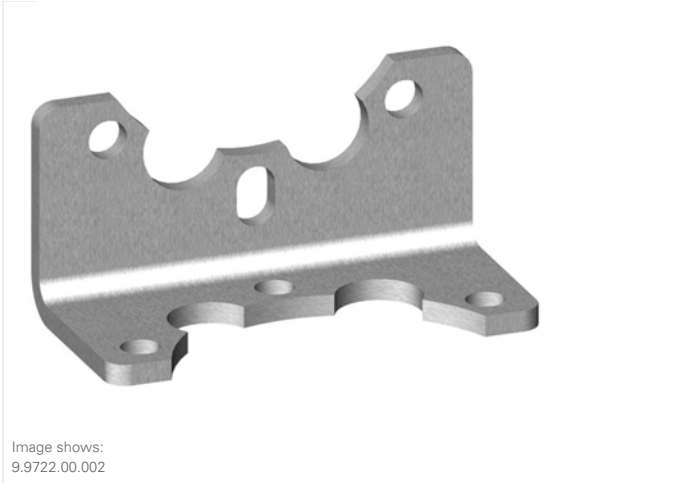
accessories

type	part-number	description
BW.10	9.9711.00.005	Mounting bracket packed in a bag

Mounting bracket | BG2

Service 3 unit

Service 2 unit



Filter regulator

Filter

Pressure regulator

Lubricator

System extensions

Accessories

technical data

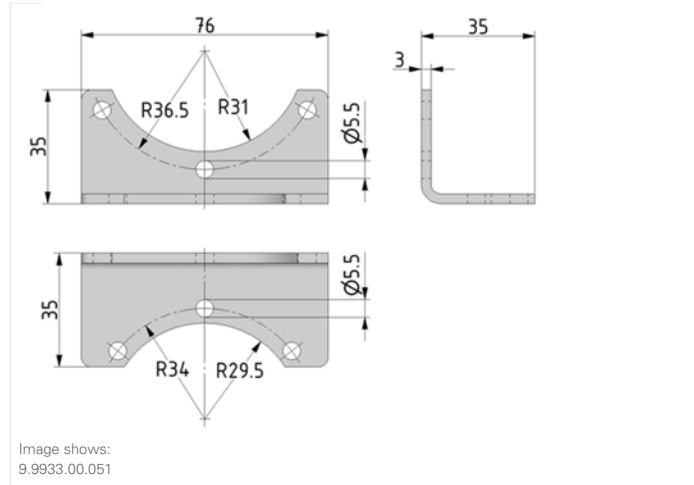
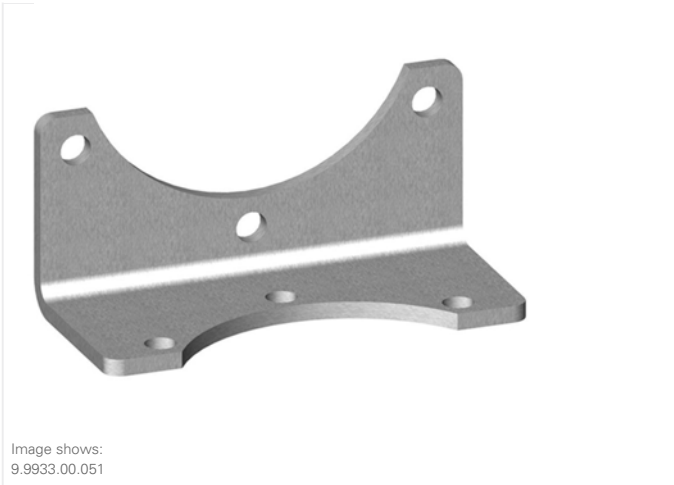
- **description:** Mounting bracket
- **material:** steel galvanized
- **fixing:** mounting with 3 screws

accessories

type	part-number	description
BW.20	9.9722.00.002	Mounting bracket packed in a bag

Special products

Mounting bracket | BG3



technical data

- **description:** Mounting bracket
- **material:** steel galvanized
- **fixing:** mounting with 3 screws

accessories

type	part-number	description
BW.30	9.9933.00.051	Mounting bracket packed in a bag

Service 3 unit

Service 2 unit

Filter regulator

Filter

Pressure regulator

Lubricator

System extensions

Accessories

Special products

Mounting bracket | BG5

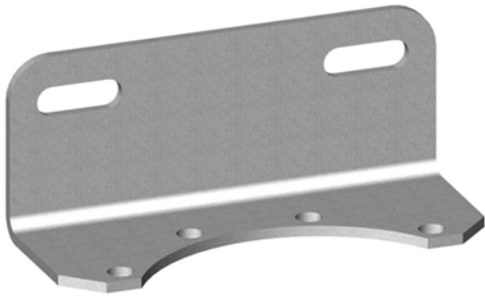


Image shows:
9.9955.00.010

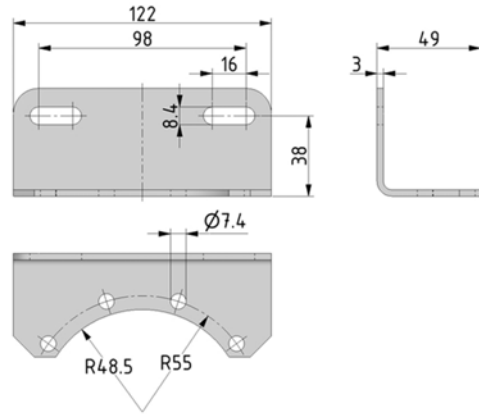


Image shows:
9.9955.00.010

Service 3 unit

Service 2 unit

Filter regulator

Filter

Pressure regulator

Lubricator

System extensions

Accessories

Special products

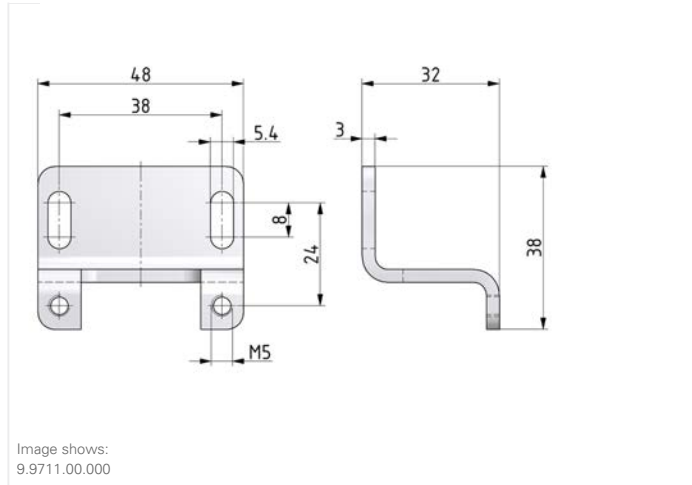
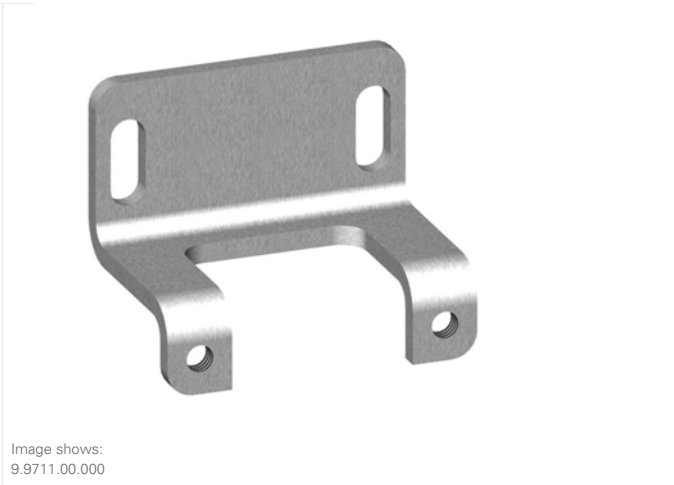
technical data

- **description:** Mounting bracket
- **material:** steel galvanized
- **fixing:** mounting with 2 screws

accessories

type	part-number	description
BW.50	9.9955.00.010	Mounting bracket packed in a bag

Bracket kit | BG1



technical data

- **description:** Mounting bracket
- **material:** steel galvanized
- **fixing:** mounting with 2 screws

accessories

type	part-number	description
ZW.10	9.9711.00.000	Mounting bracket (ZW.10+2x screw M5x20 DIN84)

Bracket kit | BG2, BG3

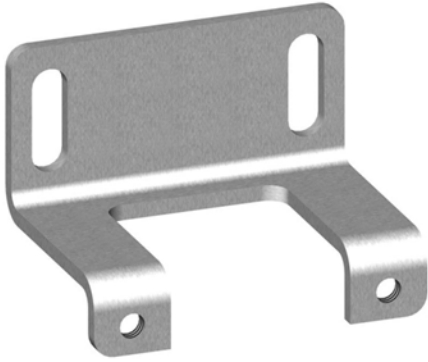


Image shows:
9.9733.00.000

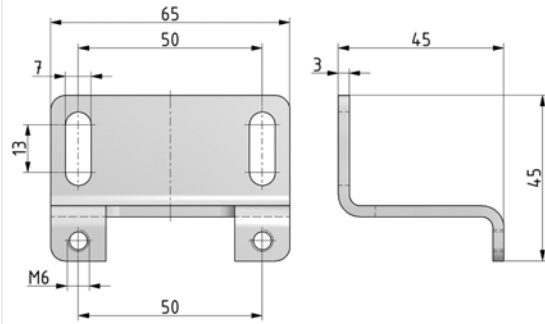


Image shows:
9.9733.00.000

Service 3 unit

Service 2 unit

Filter regulator

Filter

Pressure regulator

Lubricator

System extensions

Accessories

Special products

technical data

- **description:** Mounting bracket
- **material:** steel galvanized
- **fixing:** mounting with 2 screws

accessories

type	part-number	description
ZW.30	9.9733.00.000	Mounting bracket (ZW.30+2x screw M6x25 DIN84)

Bracket kit | FDP.11

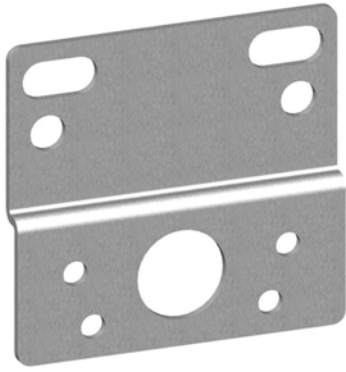


Image shows:
9.9711.00.006

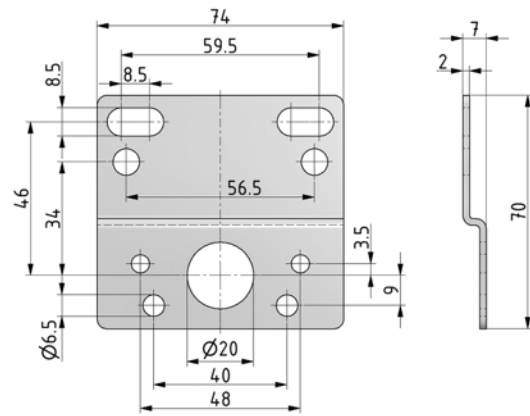


Image shows:
9.9711.00.006

technical data

- **description:** Mounting bracket
- **material:** stainless steel
- **fixing:** mounting with 2 screws

accessories

type

FDP.11-40

part-number

9.9711.00.006

description

Mounting bracket (FDP.11-40+2x screw M5x10 DIN84)

Service 3 unit

Service 2 unit

Filter regulator

Filter

Pressure regulator

Lubricator

System extensions

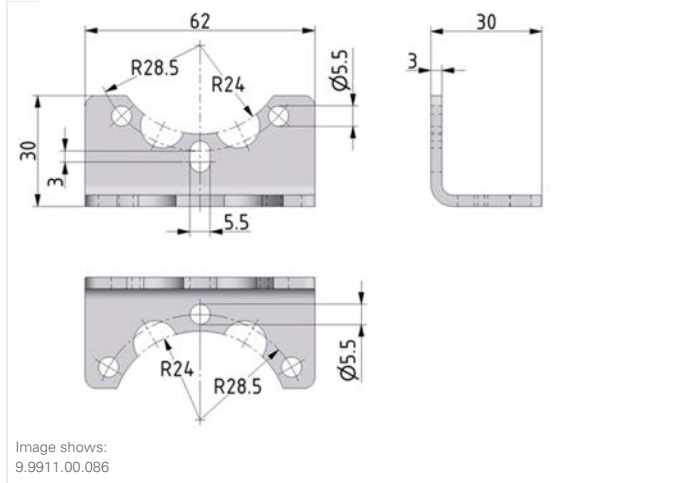
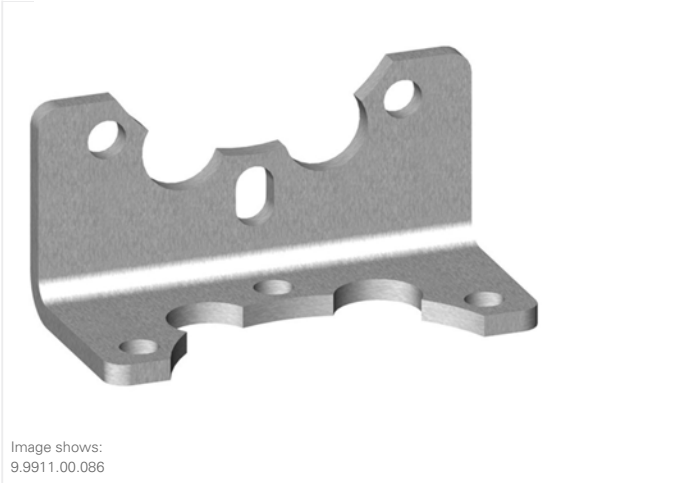
Accessories

Special products

Mounting bracket | FDR.02

Service 3 unit

Service 2 unit



Filter regulator

Filter

Pressure regulator

Lubricator

System extensions

technical data

- **description:** Mounting bracket
- **material:** steel galvanized
- **fixing:** mounting with 3 screws

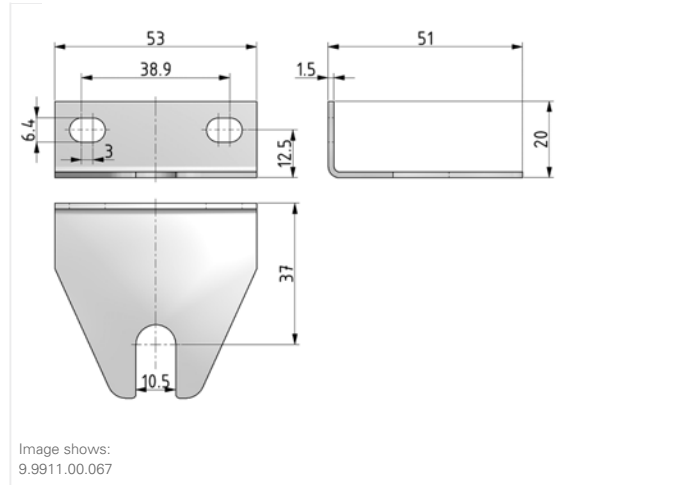
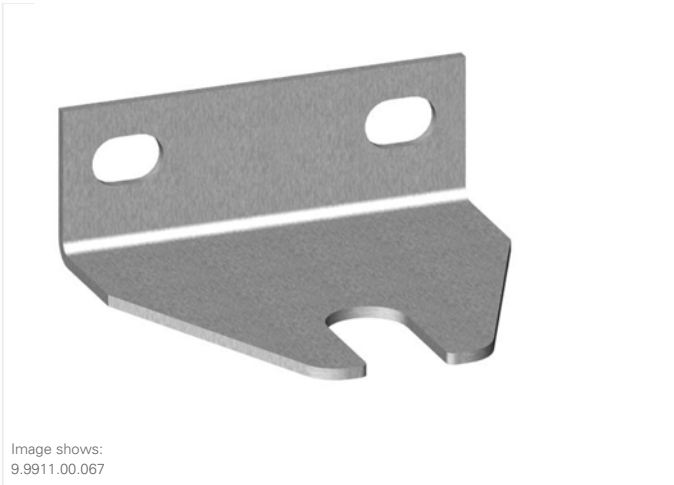
accessories

type	part-number	description
FDR.02-52	9.9911.00.086	Mounting bracket galvanized

Accessories

Special products

Mounting bracket | FDR.04



technical data

- **description:** Mounting bracket
- **material:** steel galvanized
- **fixing:** mounting with 2 screws

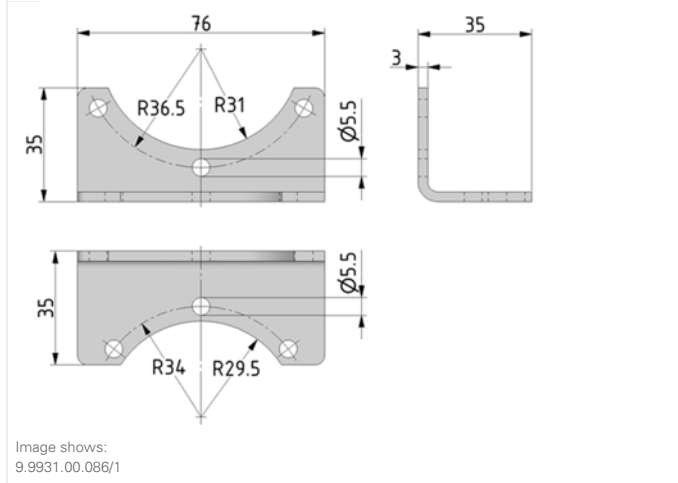
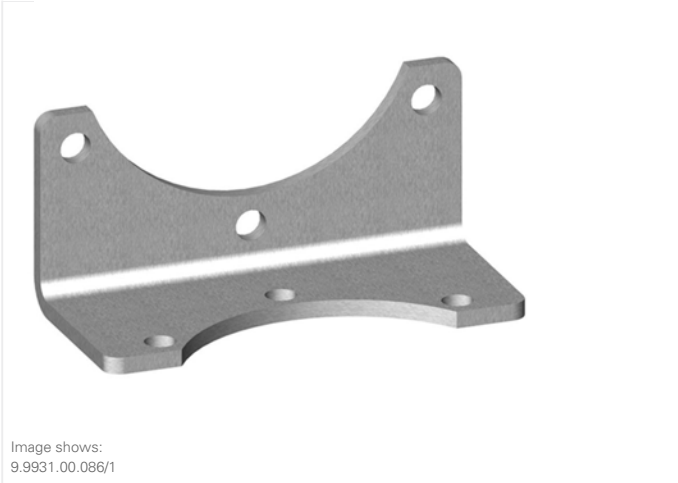
accessories

type	part-number	description
FDR.04-34	9.9911.00.067	Mounting bracket galvanized

Bracket kit | BG3

Service 3 unit

Service 2 unit



Filter regulator

Filter

Pressure regulator

Lubricator

System extensions

technical data

- **description:** Mounting bracket
- **material:** steel galvanized
- **fixing:** mounting with 3 screws

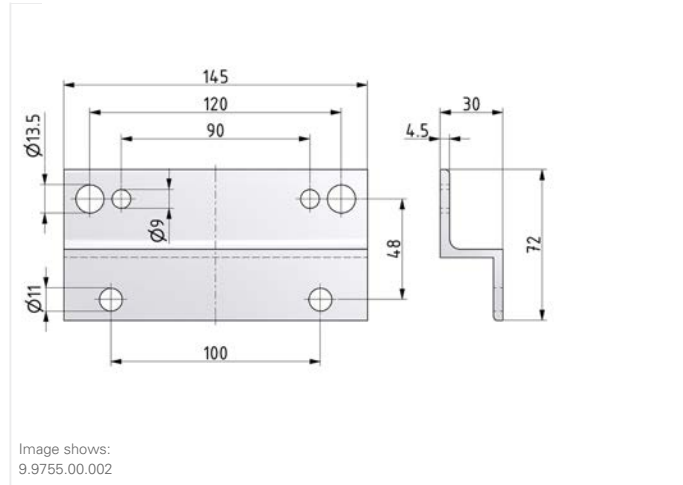
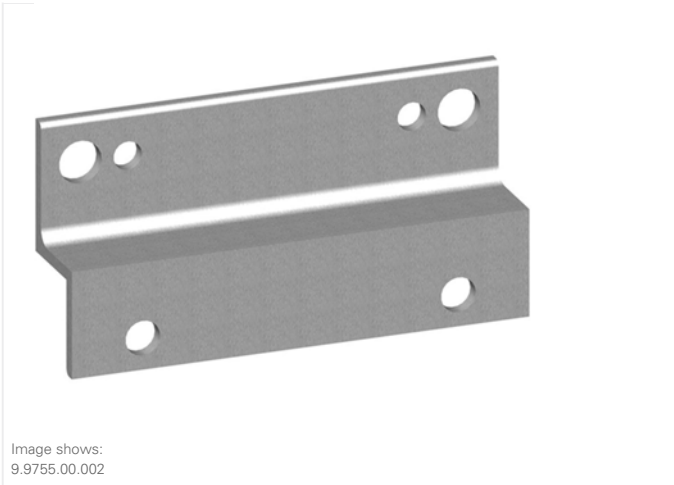
accessories

type	part-number	description
FDR.03-52	9.9931.00.086/1	Mounting bracket (BW.30+3x screw M5x40 ISO4762+6x5 ISO7090)

Accessories

Special products

Bracket kit | ZFL.55



technical data

- **description:** Mounting bracket
- **material:** steel galvanized
- **fixing:** mounting with 2 screws

accessories

type	part-number	description
ZFL.55-22	9.9755.00.002	Mounting bracket (ZFL.55-22+4x screw M10x25 DIN933+4x10 ISO7090)

Mounting bracket for panel mounting | BGO



Image shows:
9.9911.00.024

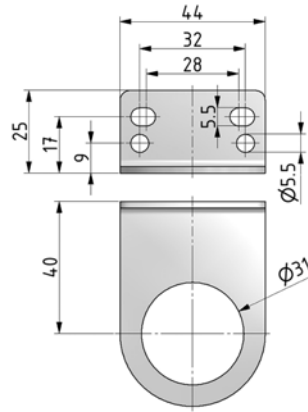


Image shows:
9.9911.00.024

Service 3 unit

Service 2 unit

Filter regulator

Filter

Pressure regulator

Lubricator

System extensions

Accessories

Special products

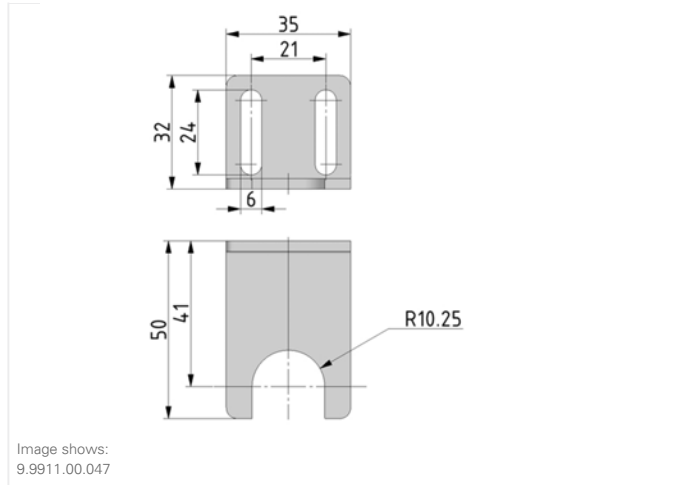
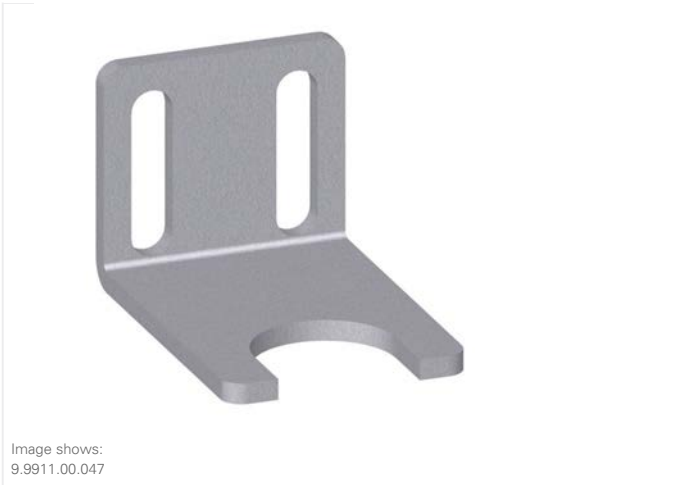
technical data

- **description:** Mounting bracket for panel mounting
- **material:** steel galvanized
- **fixing:** control panel nut and 2 screws for fixation to wall

accessories

type	part-number	description
WH.M 30/DR.00-34	9.9911.00.024	Bracket galvanized and nut M30x1,5

Mounting bracket for panel mounting | BG1



technical data

- **description:** Mounting bracket for panel mounting
- **material:** steel galvanized
- **fixing:** control panel nut and 2 screws for fixation to wall

accessories

type	part-number	description
WH.M 20/DR.11-7	9.9911.00.047	Mounting bracket kit (1x washer DR.11-23; 1x nut DR.11-7; 1x bracked WH.M 20)

Gauge | BGO



Image shows:
9.3700.00.012

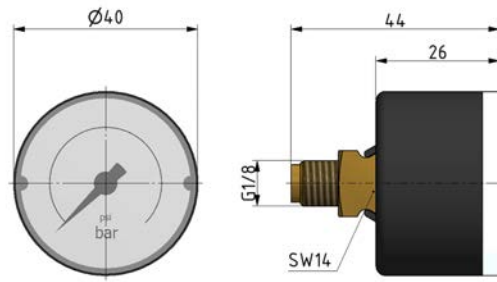


Image shows:
9.3700.00.012

technical data

- **description:** bourdon tube pressure gauge (EN 837-1), pressure connection on the back
- **temperature range:** -10°C - +60°C
- **diameter:** ø40
- **scale ranges (EN 837-1):** 0 - 16 bar
- **accuracy class:** 2,5 (EN 837-1 /6)
- **case:** black plastic
- **window:** snap fit window of clear plastic
- **working pressure, steady:** 0 - 12 bar
- **working pressure, fluctuating:** 0 - 10,5 bar
- **temperature effect:** when temperature of the pressure element deviates from reference temperature (+20°C): max. ±0,4%/10°C of the span

accessories

type	part-number	description
G 40.16 R	9.3700.00.012	Gauge G1/8 Knocks instrument dial light grey
G 40.10 R	9.3700.00.013	Gauge G1/8 Knocks instrument dial light grey
G 40.6 R	9.3700.00.014	Gauge G1/8 Knocks instrument dial light grey
G 40.4 R	9.3700.00.015	Gauge G1/8 Knocks instrument dial light grey

Service 3 unit

Service 2 unit

Filter regulator

Filter

Pressure regulator

Lubricator

System extensions

Accessories

Special products

Gauge | BG1, BG2, BG8



Image shows:
9.3700.00.110

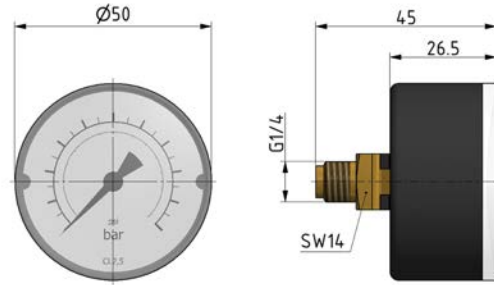


Image shows:
9.3700.00.110

technical data

- **description:** bourdon tube pressure gauge (EN 837-1), pressure connection on the back
- **temperature range:** -10°C - +60°C
- **diameter:** Ø50
- **scale ranges (EN 837-1):** 0 - 16 bar
- **accuracy class:** 2,5 (EN 837-1 /6)
- **case:** black plastic
- **window:** snap fit window of clear plastic
- **working pressure, steady:** 0 - 12 bar
- **working pressure, fluctuating:** 0 - 10,5 bar
- **temperature effect:** when temperature of the pressure element deviates from reference temperature (+20°C): max. ±0,4%/10°C of the span

accessories

type	part-number	description
G 50.16 R	9.3700.00.110	Gauge G1/4 Knocks instrument dial light grey
G 50.10 R	9.3700.00.111	Gauge G1/4 Knocks instrument dial light grey
G 50.6 R	9.3700.00.112	Gauge G1/4 Knocks instrument dial light grey
G 50.25 R	9.3700.00.113	Gauge G1/4 Knocks instrument dial light grey
G 50.2,5 R	9.3700.00.114	Gauge G1/4 Knocks instrument dial light grey
G 50.4 R	9.3700.00.116	Gauge G1/4 Knocks instrument dial light grey

Service 3 unit

Service 2 unit

Filter regulator

Filter

Pressure regulator

Lubricator

System extensions

Accessories

Special products

Gauge | BG3, BG5, BG7



Image shows:
9.3700.00.243

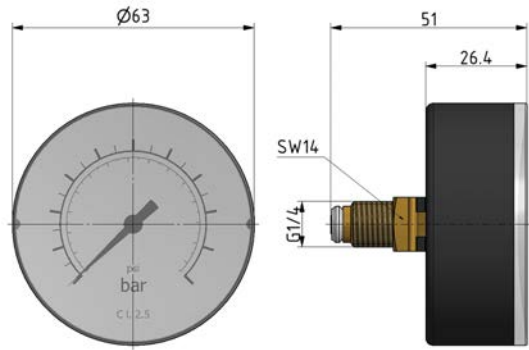


Image shows:
9.3700.00.243

Service 3 unit

Service 2 unit

Filter regulator

Filter

Pressure regulator

Lubricator

System extensions

Accessories

Special products

technical data

- **description:** bourdon tube pressure gauge (EN 837-1), pressure connection on the back
- **temperature range:** -10°C - +60°C
- **diameter:** Ø63
- **scale ranges (EN 837-1):** 0 - 16 bar
- **accuracy class:** 2,5 (EN 837-1 /6)
- **case:** black plastic
- **window:** snap fit window of clear plastic
- **working pressure, steady:** 0 - 12 bar
- **working pressure, fluctuating:** 0 - 10,5 bar
- **temperature effect:** when temperature of the pressure element deviates from reference temperature (+20°C): max. ±0,4%/10°C of the span

accessories

type	part-number	description
G 63.16 R	9.3700.00.243	Gauge G1/4 Knocks instrument dial light grey
G 63.25 R	9.3700.00.244	Gauge G1/4 Knocks instrument dial light grey
G 63.6 R	9.3700.00.245	Gauge G1/4 Knocks instrument dial light grey
G 63.10 R	9.3700.00.246	Gauge G1/4 Knocks instrument dial light grey

Bowl | BGO



Image shows:
9.9900.00.038

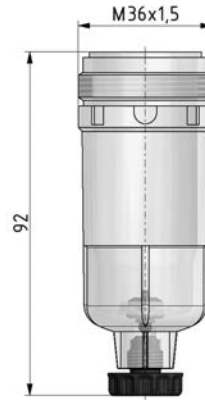


Image shows:
9.9900.00.038

technical data

- supply pressure P1 min.: 1,5 bar
- supply pressure P1 max.: 12 bar
- temperature range: -10°C - +50°C
- bowl: PC
- drain: HA
- fixing: screw thread

accessories

type	part-number	description
C.00 HA4	9.9900.00.038	PC bowl with semi automatic drain and o-ring 30x2

Service 3 unit

Service 2 unit

Filter regulator

Filter

Pressure regulator

Lubricator

System extensions

Accessories

Special products

Bowl | BGO



Image shows:
8.2100.96.001.2

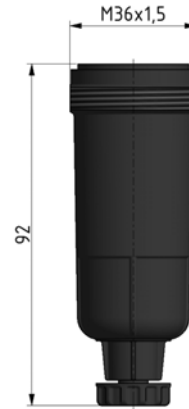


Image shows:
8.2100.96.001.2

Service 3 unit

Service 2 unit

Filter regulator

Filter

Pressure regulator

Lubricator

System extensions

Accessories

Special products

technical data

- supply pressure P1 min.: 1,5 bar
- supply pressure P1 max.: 12 bar
- temperature range: -10°C - +50°C
- bowl: metal bowl
- drain: HA
- fixing: screw thread

accessories

type	part-number	description
C.00 M HA4	8.2100.96.001.2	Metal bowl with semi automatic drain and o-ring 30x2

Bowl | BGO



Image shows:
9.9900.00.019

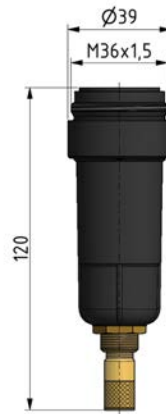


Image shows:
9.9900.00.019

technical data

- supply pressure P1 min.: 1,5 bar
- supply pressure P1 max.: 12 bar
- temperature range: -10°C - +50°C
- bowl: metal bowl
- drain: AM NO
- fixing: screw thread

accessories

type	part-number	description
C.00 M AM10	9.9900.00.019	Metal bowl with automatic drain and o-ring 30x2
C.00 M AM10/NC	9.9900.00.052	Metal bowl with automatic drain (usually closed) and o-ring 30x2

Service 3 unit

Service 2 unit

Filter regulator

Filter

Pressure regulator

Lubricator

System extensions

Accessories

Special products

Bowl | BG0, BG1

Service 3 unit

Service 2 unit

Filter regulator

Filter

Pressure regulator

Lubricator

System extensions

Accessories

Special products



Image shows:
8.2111.84.002



Image shows:
8.2111.84.002

technical data

- supply pressure P1 min.: 1,5 bar
- supply pressure P1 max.: 12 bar
- temperature range: -10°C - +50°C
- bowl: PC
- drain: AM NO
- fixing: screw thread

accessories

type	part-number	description
C.11 AM10	8.2111.84.002	PC bowl with automatic drain and o-ring 30x2
C.11 AM10/NC	9.9911.00.030	PC bowl with automatic drain (usually closed) and o-ring 30x2

Bowl | BG1



Image shows:
8.1111.42.001



Image shows:
8.1111.42.001

technical data

- supply pressure P1 min.: 1,5 bar
- supply pressure P1 max.: 16 bar
- temperature range: -10°C - +60°C
- bowl: PC
- drain: HA3
- fixing: screw collar ring

accessories

type	part-number	description
DF.11 HA3	8.1111.42.001	PC bowl with semi automatic drain and o-ring 37x2

Service 3 unit

Service 2 unit

Filter regulator

Filter

Pressure regulator

Lubricator

System extensions

Accessories

Special products

Bowl | BG1



Image shows:
8.1111.42.002

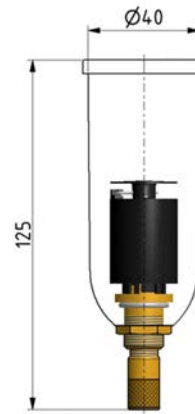


Image shows:
8.1111.42.002

Service 3 unit

Service 2 unit

Filter regulator

Filter

Pressure regulator

Lubricator

System extensions

Accessories

Special products

technical data

- supply pressure P1 min.: 1,5 bar
- supply pressure P1 max.: 16 bar
- temperature range: -10°C - +60°C
- bowl: PC
- drain: AM NO
- fixing: screw collar ring

accessories

type	part-number	description
DF.11 AM10	8.1111.42.002	PC bowl with automatic drain and o-ring 37x2

Bowl | BG1



Image shows:
8.1111.39.000.0



Image shows:
8.1111.39.000.0

technical data

- supply pressure P1 min.: 0 bar
- supply pressure P1 max.: 25 bar
- temperature range: -10°C - +60°C
- bowl: metal bowl
- drain: man
- fixing: screw collar ring

accessories

type	part-number	description
DF.11 M man	8.1111.39.000.0	Metal bowl with manual drain and o-ring 37x2

Service 3 unit

Service 2 unit

Filter regulator

Filter

Pressure regulator

Lubricator

System extensions

Accessories

Special products

Bowl | BG1



Image shows:
8.1111.39.001.0



Image shows:
8.1111.39.001.0

Service 3 unit

Service 2 unit

Filter regulator

Filter

Pressure regulator

Lubricator

System extensions

Accessories

Special products

technical data

- supply pressure P1 min.: 1,5 bar
- supply pressure P1 max.: 25 bar
- temperature range: -10°C - +60°C
- bowl: metal bowl
- drain: HA3
- fixing: screw collar ring

accessories

type	part-number	description
DF.11 M HA3	8.1111.39.001.0	Metal bowl with semi automatic drain and o-ring 37x2

Bowl | BG1



Image shows:
8.1111.39.002.0

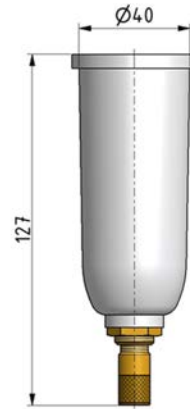


Image shows:
8.1111.39.002.0

technical data

- supply pressure P1 min.: 1,5 bar
- supply pressure P1 max.: 16 bar
- temperature range: -10°C - +60°C
- bowl: metal bowl
- drain: AM NO
- fixing: screw collar ring

accessories

type	part-number	description
DF.11 M AM10	8.1111.39.002.0	Metal bowl with automatic drain and o-ring 37x2

Service 3 unit

Service 2 unit

Filter regulator

Filter

Pressure regulator

Lubricator

System extensions

Accessories

Special products

Bowl | BG2



Image shows:
8.1122.36.001

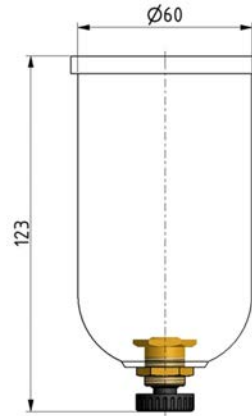


Image shows:
8.1122.36.001

Service 3 unit

Service 2 unit

Filter regulator

Filter

Pressure regulator

Lubricator

System extensions

Accessories

Special products

technical data

- supply pressure P1 min.: 1,5 bar
- supply pressure P1 max.: 16 bar
- temperature range: -10°C - +60°C
- bowl: PC
- drain: HA3
- fixing: screw collar ring

accessories

type	part-number	description
DF.22 HA3	8.1122.36.001	PC bowl with semi automatic drain and o-ring 58x3

Bowl | BG2



Image shows:
8.1122.36.002

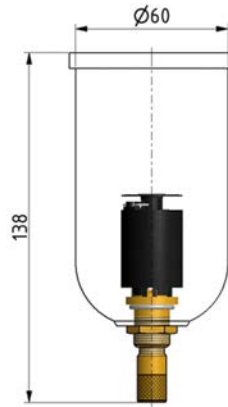


Image shows:
8.1122.36.002

technical data

- supply pressure P1 min.: 1,5 bar
- supply pressure P1 max.: 16 bar
- temperature range: -10°C - +60°C
- bowl: PC
- drain: AM NO
- fixing: screw collar ring

accessories

type	part-number	description
DF.22 AM10	8.1122.36.002	PC bowl with automatic drain and o-ring 58x3

Service 3 unit

Service 2 unit

Filter regulator

Filter

Pressure regulator

Lubricator

System extensions

Accessories

Special products

Bowl | BG2



Image shows:
8.1122.50.000.0



Image shows:
8.1122.50.000.0

Service 3 unit

Service 2 unit

Filter regulator

Filter

Pressure regulator

Lubricator

System extensions

Accessories

Special products

technical data

- supply pressure P1 min.: 0 bar
- supply pressure P1 max.: 25 bar
- temperature range: -10°C - +60°C
- bowl: metal bowl
- drain: man
- fixing: screw collar ring

accessories

type	part-number	description
DF.22 M man	8.1122.50.000.0	Metal bowl with manual drain and o-ring 58x3

Bowl | BG2



Image shows:
8.1122.10.000.0

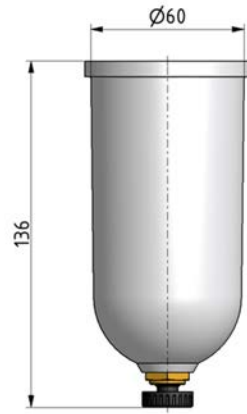


Image shows:
8.1122.10.000.0

technical data

- supply pressure P1 min.: 1,5 bar
- supply pressure P1 max.: 25 bar
- temperature range: -10°C - +60°C
- bowl: metal bowl
- drain: HA3
- fixing: screw collar ring

accessories

type	part-number	description
DF.22 M HA3	8.1122.10.000.0	Metal bowl with semi automatic drain and o-ring 58x3

Service 3 unit

Service 2 unit

Filter regulator

Filter

Pressure regulator

Lubricator

System extensions

Accessories

Special products

Bowl | BG2



Image shows:
8.1122.10.001.0

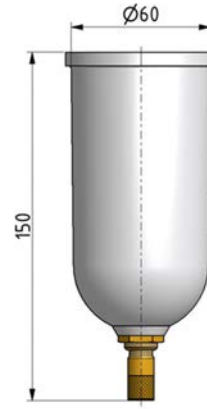


Image shows:
8.1122.10.001.0

Service 3 unit

Service 2 unit

Filter regulator

Filter

Pressure regulator

Lubricator

System extensions

Accessories

Special products

technical data

- supply pressure P1 min.: 1,5 bar
- supply pressure P1 max.: 16 bar
- temperature range: -10°C - +60°C
- bowl: metal bowl
- drain: AM NO
- fixing: screw collar ring

accessories

type	part-number	description
DF.22 M AM10	8.1122.10.001.0	Metal bowl with automatic drain and o-ring 58x3

Bowl | BG3



Image shows:
8.1133.48.001

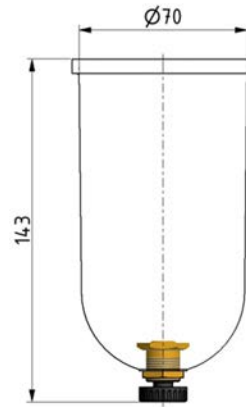


Image shows:
8.1133.48.001

technical data

- supply pressure P1 min.: 1,5 bar
- supply pressure P1 max.: 16 bar
- temperature range: -10°C - +60°C
- bowl: PC
- drain: HA3
- fixing: screw collar ring

accessories

type	part-number	description
DF.33 HA3	8.1133.48.001	PC bowl with semi automatic drain and o-ring 67,95x2,62

Service 3 unit

Service 2 unit

Filter regulator

Filter

Pressure regulator

Lubricator

System extensions

Accessories

Special products

Bowl | BG3



Image shows:
8.1133.48.002

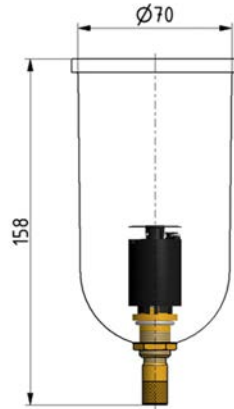


Image shows:
8.1133.48.002

Service 3 unit

Service 2 unit

Filter regulator

Filter

Pressure regulator

Lubricator

System extensions

Accessories

Special products

technical data

- supply pressure P1 min.: 1,5 bar
- supply pressure P1 max.: 16 bar
- temperature range: -10°C - +60°C
- bowl: PC
- drain: AM NO
- fixing: screw collar ring

accessories

type	part-number	description
DF.33 AM10	8.1133.48.002	PC bowl with automatic drain and o-ring 67,95x2,62

Bowl | BG3



Image shows:
8.1133.25.000.0

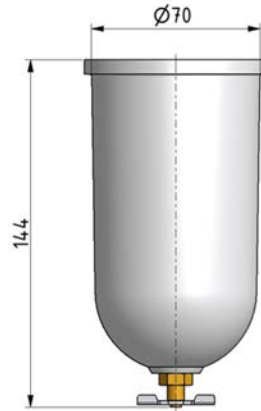


Image shows:
8.1133.25.000.0

technical data

- supply pressure P1 min.: 0 bar
- supply pressure P1 max.: 25 bar
- temperature range: -10°C - +60°C
- bowl: metal bowl
- drain: man
- fixing: screw collar ring

accessories

type	part-number	description
DF.33 M man	8.1133.25.000.0	Metal bowl with manual drain and o-ring 67,95x2,62

Service 3 unit

Service 2 unit

Filter regulator

Filter

Pressure regulator

Lubricator

System extensions

Accessories

Special products

Bowl | BG3



Image shows:
8.1133.49.000.0

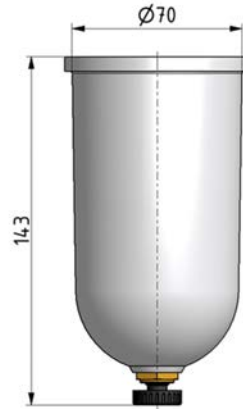


Image shows:
8.1133.49.000.0

Service 3 unit

Service 2 unit

Filter regulator

Filter

Pressure regulator

Lubricator

System extensions

Accessories

Special products

technical data

- supply pressure P1 min.: 1,5 bar
- supply pressure P1 max.: 25 bar
- temperature range: -10°C - +60°C
- bowl: metal bowl
- drain: HA3
- fixing: screw collar ring

accessories

type	part-number	description
DF.33 M HA3	8.1133.49.000.0	Metal bowl with semi automatic drain and o-ring 67,95x2,62

Bowl | BG3



Image shows:
8.1133.49.001.0

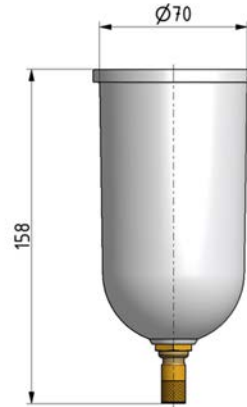


Image shows:
8.1133.49.001.0

technical data

- supply pressure P1 min.: 1,5 bar
- supply pressure P1 max.: 16 bar
- temperature range: -10°C - +60°C
- bowl: metal bowl
- drain: AM NO
- fixing: screw collar ring

accessories

type	part-number	description
DF.33 M AM10	8.1133.49.001.0	Metal bowl with automatic drain and o-ring 67,95x2,62

Service 3 unit

Service 2 unit

Filter regulator

Filter

Pressure regulator

Lubricator

System extensions

Accessories

Special products

Oil bowl | BGO



Image shows:
9.9900.00.040

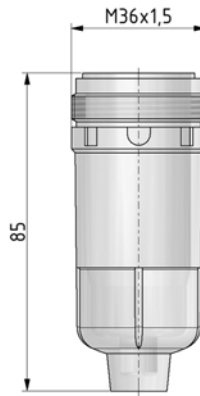


Image shows:
9.9900.00.040

Service 3 unit

Service 2 unit

Filter regulator

Filter

Pressure regulator

Lubricator

System extensions

Accessories

Special products

technical data

- supply pressure P1 max.: 12 bar
- temperature range: -10°C - +50°C
- bowl: PC
- fixing: screw thread

accessories

type	part-number	description
L.00	9.9900.00.040	PC oil bowl with o-ring 30x2

Oil bowl | BGO



Image shows:
9.9900.00.041

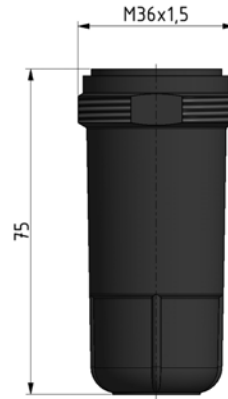


Image shows:
9.9900.00.041

technical data

- supply pressure P1 max.: 12 bar
- temperature range: -10°C - +50°C
- bowl: metal bowl
- fixing: screw thread

accessories

type	part-number	description
L.00 M	9.9900.00.041	Metal oil bowl black with o-ring 30x2

Service 3 unit

Service 2 unit

Filter regulator

Filter

Pressure regulator

Lubricator

System extensions

Accessories

Special products

Oil bowl | BG1



Image shows:
8.2311.24.000



Image shows:
8.2311.24.000

Service 3 unit

Service 2 unit

Filter regulator

Filter

Pressure regulator

Lubricator

System extensions

Accessories

Special products

technical data

- supply pressure P1 max.: 16 bar
- temperature range: -10°C - +60°C
- bowl: PC
- fixing: screw collar ring

accessories

type	part-number	description
DO.11	8.2311.24.000	PC oil bowl with o-ring 37x2

Oil bowl | BG1



Image shows:
8.2311.33.000.0



Image shows:
8.2311.33.000.0

technical data

- supply pressure P1 max.: 25 bar
- temperature range: -10°C - +60°C
- bowl: metal bowl
- fixing: screw collar ring

accessories

type	part-number	description
DO.11 M	8.2311.33.000.0	Metal oil bowl (silver) with o-ring 37x2

Service 3 unit

Service 2 unit

Filter regulator

Filter

Pressure regulator

Lubricator

System extensions

Accessories

Special products

Oil bowl | BG2



Image shows:
8.2322.24.000

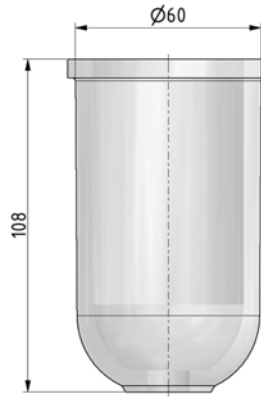


Image shows:
8.2322.24.000

Service 3 unit

Service 2 unit

Filter regulator

Filter

Pressure regulator

Lubricator

System extensions

Accessories

Special products

technical data

- supply pressure P1 max.: 16 bar
- temperature range: -10°C - +60°C
- bowl: PC
- fixing: screw collar ring

accessories

type	part-number	description
DO.22	8.2322.24.000	PC oil bowl with o-ring 58x3

Oil bowl | BG2



Image shows:
8.2322.25.000.0

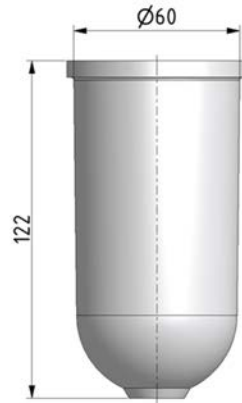


Image shows:
8.2322.25.000.0

technical data

- supply pressure P1 max.: 25 bar
- temperature range: -10°C - +60°C
- bowl: metal bowl
- fixing: screw collar ring

accessories

type	part-number	description
DO.22 M	8.2322.25.000.0	Metal oil bowl (silver) with o-ring 58x3

Service 3 unit

Service 2 unit

Filter regulator

Filter

Pressure regulator

Lubricator

System extensions

Accessories

Special products

Oil bowl | BG3



Image shows:
8.2333.24.000

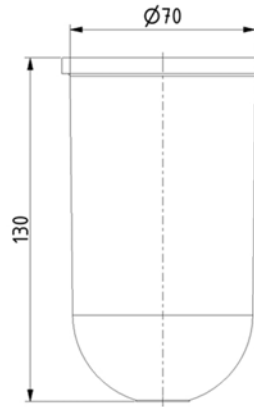


Image shows:
8.2333.24.000

Service 3 unit

Service 2 unit

Filter regulator

Filter

Pressure regulator

Lubricator

System extensions

Accessories

Special products

technical data

- supply pressure P1 max.: 16 bar
- temperature range: -10°C - +60°C
- bowl: PC
- fixing: screw collar ring

accessories

type	part-number	description
DO.33	8.2333.24.000	PC oil bowl with o-ring 67,95x2,62

Oil bowl | BG3



Image shows:
8.2333.25.000.0

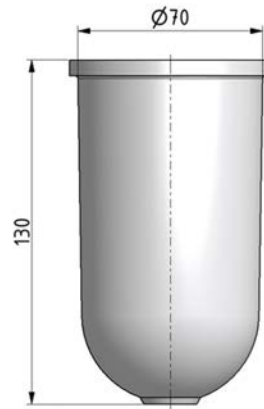


Image shows:
8.2333.25.000.0

technical data

- supply pressure P1 max.: 25 bar
- temperature range: -10°C - +60°C
- bowl: metal bowl
- fixing: screw collar ring

accessories

type	part-number	description
DO.33 M	8.2333.25.000.0	Metal oil bowl (silver) with o-ring 67,95x2,62

Service 3 unit

Service 2 unit

Filter regulator

Filter

Pressure regulator

Lubricator

System extensions

Accessories

Special products

Bowl guard | BG1



Image shows:
8.1111.35.000.0

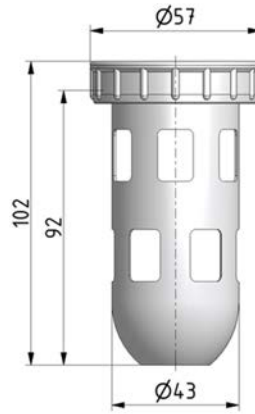


Image shows:
8.1111.35.000.0

Service 3 unit

Service 2 unit

Filter regulator

Filter

Pressure regulator

Lubricator

System extensions

Accessories

Special products

technical data

- **material:** steel galvanized
- **fixing:** screw collar ring

accessories

type	part-number	description
DF.11-35	8.1111.35.000.0	Bowl guard with screw cap

Bowl guard | BG2



Image shows:
8.1122.11.000.0

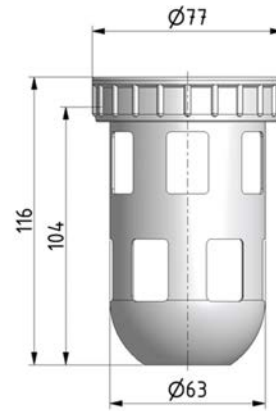


Image shows:
8.1122.11.000.0

technical data

- **material:** steel galvanized
- **fixing:** screw collar ring

accessories

type	part-number	description
DF.22-11	8.1122.11.000.0	Bowl guard with screw cap

Service 3 unit

Service 2 unit

Filter regulator

Filter

Pressure regulator

Lubricator

System extensions

Accessories

Special products

Bowl guard | BG3



Image shows:
8.1133.11.000.0

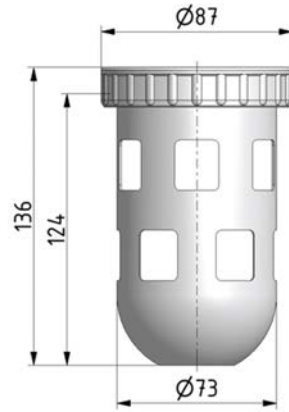


Image shows:
8.1133.11.000.0

Service 3 unit

Service 2 unit

Filter regulator

Filter

Pressure regulator

Lubricator

System extensions

Accessories

Special products

technical data

- **material:** steel galvanized
- **fixing:** screw collar ring

accessories

type	part-number	description
DF.33-11	8.1133.11.000.0	Bowl guard with screw cap

Differential pressure gauge | BG5, BG8



Image shows:
9.3700.00.850

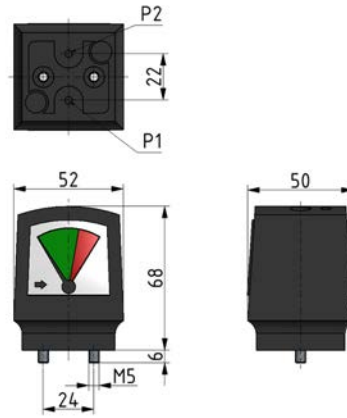


Image shows:
9.3700.00.850

technical data

- **description:** magnetic piston meter
- **temperature range:** -10°C - +60°C
- **mounting:** vertical
- **case:** ULTRAMID plastic, black
- **scales:** white plastic, pressure = black, colour fields = green/red
- **scale range:** 0 - 0,5 bar
- **max. working pressure:** 16 bar

accessories

type	part-number	description
DM 2	9.3700.00.850	Differential pressure gauge scale ranges: 0-0,5bar

Service 3 unit

Service 2 unit

Filter regulator

Filter

Pressure regulator

Lubricator

System extensions

Accessories

Special products

Filter silencer | --



Image shows:
9.4033.00.700

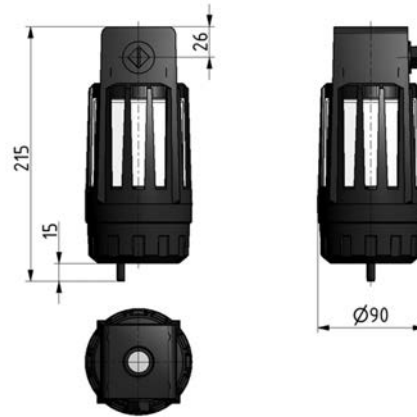
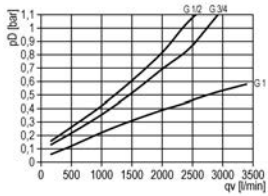
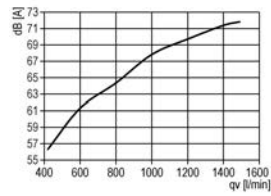


Image shows:
9.4033.00.700

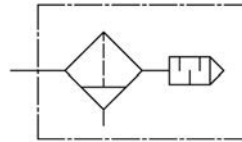
flow characteristic



noise expansion



symbol



technical data

- **description:** 3 graduated coalescence filter
- **supply pressure P1 max.:** 10 bar
- **temperature range:** -10°C - +60°C
- **drain:** overflow for tube diameter inside Ø6
- **mounting:** vertically, connection thread on the top and on the side
- **residual oil content:** 0,01 mg/m³
- **filter efficiency:** 99,99%
- **reduction of noise:** circa 40 dB (A) (at P1 = 5 bar; Q = 2000 l/min and 1 m distance)
- **filter change:** min. once in a year

accessories

- Befestigungswinkel
BFSD.55-3

type	part-number	description
FSD.33	9.4033.00.700	Filter silencer G1/2
FSD.34	9.4034.00.700	Filter silencer G3/4

Service 3 unit

Service 2 unit

Filter regulator

Filter

Pressure regulator

Lubricator

System extensions

Accessories

Special products

Filter silencer | --



Image shows:
9.4055.00.700

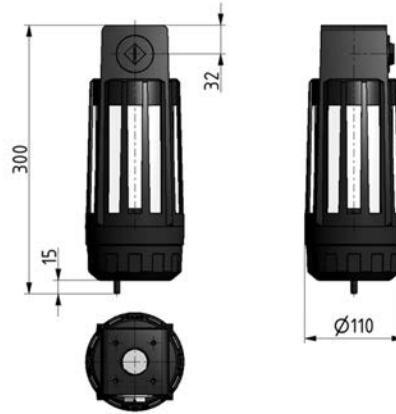
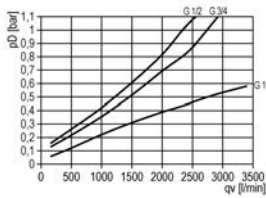
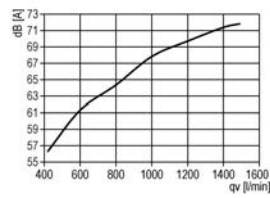


Image shows:
9.4055.00.700

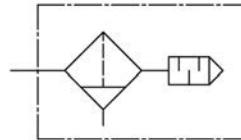
flow characteristic



noise expansion



symbol



technical data

- **description:** 3 graduated coalescence filter
- **supply pressure P1 max.:** 10 bar
- **temperature range:** -10°C - +60°C
- **drain:** overflow for tube diameter inside ø6
- **mounting:** vertically, connection thread on the top and on the side
- **residual oil concent:** 0,01 mg/m³
- **filter efficiency:** 99,99%
- **reduction of noise:** circa 40 dB (A) (at P1 = 5 bar; Q = 2000 l/min and 1 m distance)
- **filter change:** min. once in a year

accessories

- Befestigungswinkel
BFSD.55-3

type

FSD.55

part-number

9.4055.00.700

description

Filter silencer G1

Automatic drain | --

Service 3 unit

Service 2 unit



Image shows:
9.3600.00.410/NC

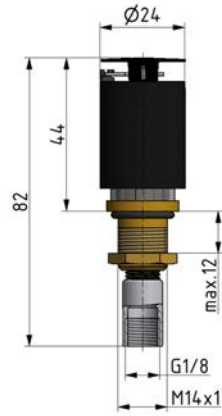


Image shows:
9.3600.00.410/NC

Filter regulator

symbol



Filter

Pressure regulator

technical data

- **description:** float handled condensate drain (no bleed pressureless)
- **supply pressure P1 min.:** 1,5 bar
- **supply pressure P1 max.:** 16 bar
- **temperature range:** -10°C - +50°C
- **fixing:** located within condensate bowl
- **mounting shaft:** ø14 mm
- **discharge connection:** G 1/8
- **function without pressure:** (P1 0 bar) valve closed

accessories

Lubricator

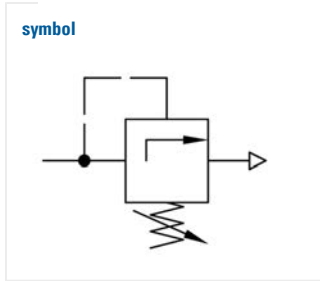
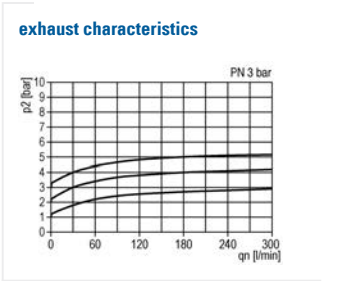
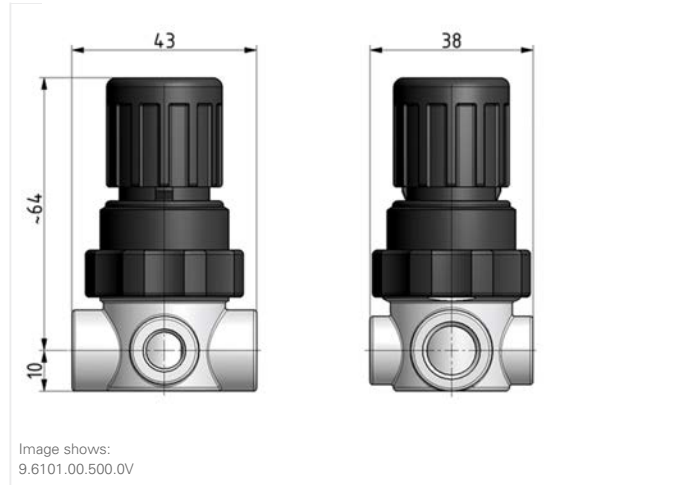
System extensions

Accessories

type	part-number	description
AM 10 NC	9.3600.00.410/NC	Automatic drain, p1= 1,5-16bar, usually closed
AM 10	9.3600.00.410/V	Automatic drain, p1= 1,5-16bar

Special products

Relief valve | BGO



technical data

- **adjustment range P2 max.:** 3 bar
- **description:** spring loaded diaphragm-relief-valve opening pressure adjustable
- **medium:** compressed air, non corrosive gases (other media available upon request)
- **temperature range:** -10°C - +60°C
- **fixing:** panel mounting, ø30,5

accessories

- **control panel mounting:**
[WH.M.30/DR.00-34](#)

type	part-number	description
DVU.01	9.6101.00.500.0V	Relief valve G1/4 0,1-3
DVU.01	9.6101.00.501.0V	Relief valve G1/4 0,1-2
DVU.01	9.6101.00.503.0V	Relief valve G1/4 0,5-10
DVU.01 S/KS	9.6101.00.50301V	Relief valve G1/4 0,5-10 with plastic control panel nut
DVU.01	9.6101.00.504.0V	Relief valve G1/4 0,2-7
DVU.01 S/KS	9.6101.00.50401V	Relief valve G1/4 0,2-7 with plastic control panel nut

Relief valve | BG3



Image shows:
9.6133.00.500.0V

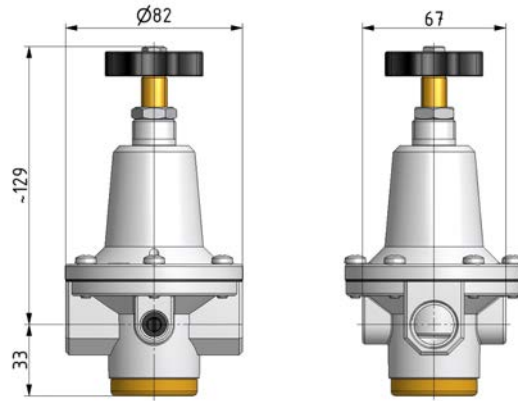
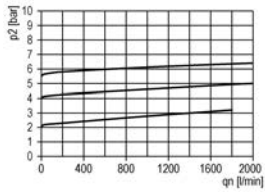
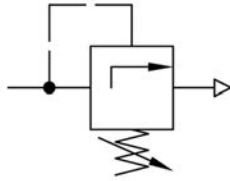


Image shows:
9.6133.00.500.0V

exhaust characteristics



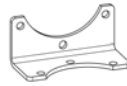
symbol



technical data

- **adjustment range P2 max.:** 3 bar
- **description:** spring loaded diaphragm-relief-valve opening pressure adjustable
- **medium:** compressed air, non corrosive gases (other media available upon request)
- **temperature range:** -10°C - +60°C
- **fixing:** panel mounting, ø20,5

accessories



- mounting bracket: [BW.30](#)

- control panel mounting: nut DR.11-7

type	part-number	description
DVU.33	9.6133.00.500.0V	Relief valve G1/2 0,1-3
DVU.33	9.6133.00.517.0V	Relief valve G1/2 0,5-10
DVU.33	9.6133.00.520.0V	Relief valve G1/2 0,1-1
DVU.33	9.6133.00.550.0V	Relief valve G1/2 0,2-5,5

Service 3 unit

Service 2 unit

Filter regulator

Filter

Pressure regulator

Lubricator

System extensions

Accessories

Special products

Central filter lubricator unit | --



Image shows:
9.2455.00.000

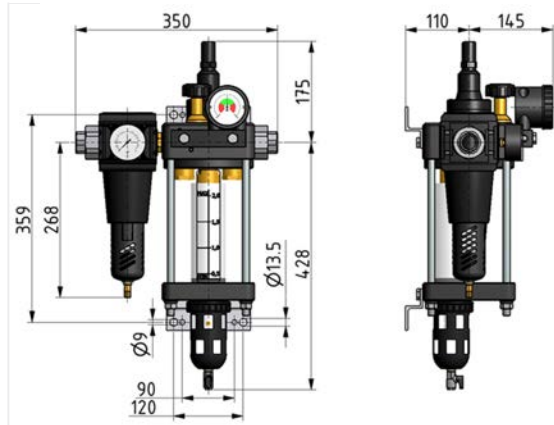
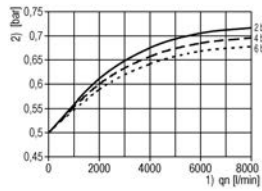
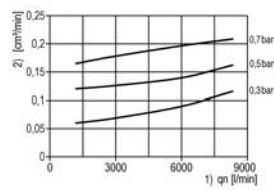


Image shows:
9.2455.00.000

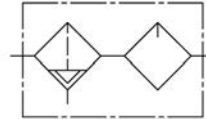
flow characteristic



oil mist activation



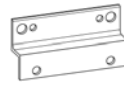
symbol



technical data

- **description:** differential pressure regulated central-lubricator
- **supply pressure P1 max.:** 10 bar
- **temperature range:** -10°C - +60°C
- **mounting:** vertical, drain down
- **fixing:** install in pipe line, mounting bracket
- **operating differential pressure area:** 0,3 - 1 bar
- **recommended operating differential pressure area:** 0,5 bar
- **bowl volume:** 2 l
- **flow range:** 80 - 7000 l/min
- **recommended oil viscosity:** 32 c St / 40°C
- **kind of oil:** CL 32 DIN 51517 - ISO VG 32
- **grade of filtration of prefilter:** 40 µm (absolutely)
- **oil most particle size:** 0,3 - 2 µm

accessories



- **mounting bracket:** [ZFL.55-22](#)
- **fine filter silencer:** [FSD.33](#) + [FSD.34](#) + [FSD.55](#)

type

ZFL.55

part-number

9.2455.00.000

description

Central filter lubricator unit G1

Central filter lubricator unit | --



Image shows:
9.2488.00.000

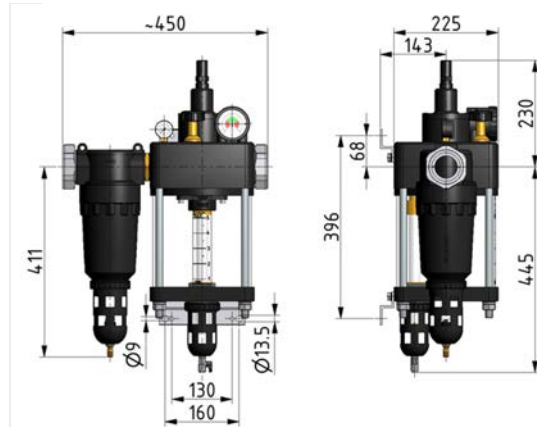
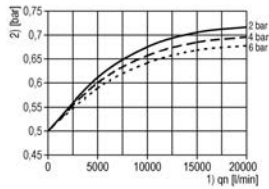
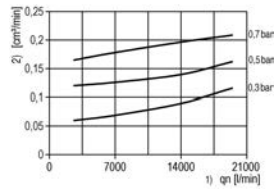


Image shows:
9.2488.00.000

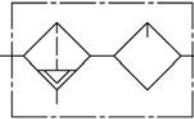
flow characteristic



oil mist activation



symbol



technical data

- **description:** differential pressure regulated central-lubricator
- **supply pressure P1 max.:** 10 bar
- **temperature range:** -10°C - +60°C
- **mounting:** vertical, drain down
- **fixing:** install in pipe line, mounting bracket
- **operating differential pressure area:** 0,3 - 1 bar
- **recommended operating differential pressure area:** 0,5 bar
- **bowl volume:** 5 l
- **flow range:** 250 - 20000 l/min
- **recommended oil viscosity:** 32 c St / 40°C
- **kind of oil:** CL 32 DIN 51517 - ISO VG 32
- **grade of filtration of prefilter:** 60 μm (absolutely)
- **oil most particle size:** 0,3 - 2 μm

accessories



- **mounting bracket:** ZFL.88-34
- **fine filter silencer:** [FSD.33](#) + [FSD.34](#) + [FSD.55](#)

type	part-number	description
ZFL.88	9.2488.00.000	Central filter lubricator unit G2

Service 3 unit

Service 2 unit

Filter regulator

Filter

Pressure regulator

Lubricator

System extensions

Accessories

Special products

Regulator plate ISO | ISO 1

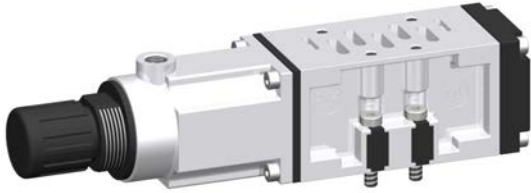


Image shows:
9.1811.00.400

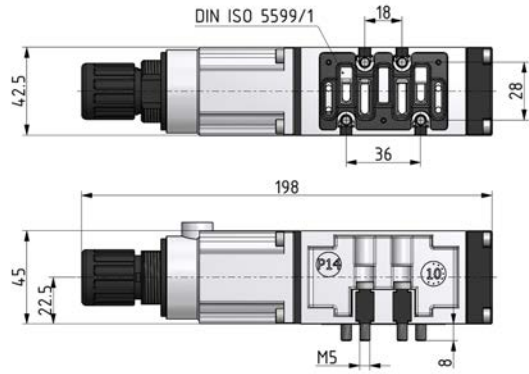
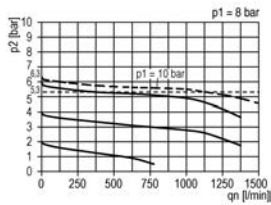
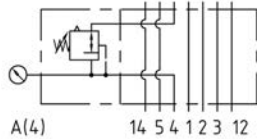


Image shows:
9.1811.00.400

flow characteristic



symbol



technical data

- **description:** air line regulator with diaphragm and relieving feature
- **supply pressure P1 max.:** 16 bar
- **temperature range:** -10°C - +60°C
- **fixing:** about connection plate
- **series:** ISO 1
- **regulation:** A
- **port size:** regulation on 4 according to VDMA 24563

accessories

- gauge on the back



- gauge vertical: [G 40.10/16 S](#)

- adapter for gauge with rear connection: ISO-1-12

type	part-number	description
ISO.1 A	9.1811.00.400	Regulator plate ISO.1 (regulating at 4) 0,5-12
ISO.1 A GS	9.1811.00.401	Regulator plate ISO.1 (regulating at 4) 0,5-12 with gauge G 40.10/16 S
ISO.1 B	9.1811.00.600	Regulator plate ISO.1 (regulating at 2) 0,5-12
ISO.1 AB	9.1811.00.800	Regulator plate ISO.1 (regulating at 4/2) 0,5-12

Regulator plate ISO | ISO 1

Service 3 unit

Service 2 unit

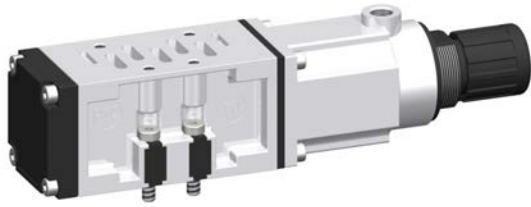


Image shows:
9.1811.00.000

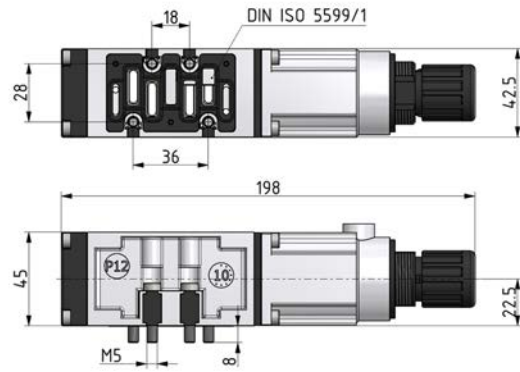
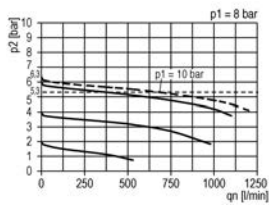


Image shows:
9.1811.00.000

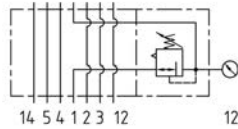
Filter regulator

Filter

flow characteristic



symbol



Pressure regulator

Lubricator

System extensions

technical data

- **description:** air line regulator with diaphragm and relieving feature
- **supply pressure P1 max.:** 16 bar
- **temperature range:** -10°C - +60°C
- **fixing:** about connection plate
- **series:** ISO 1
- **regulation:** P 12
- **port size:** regulation on 12 according to VDMA 24563

accessories



- gauge on the back

- gauge vertical: [G 40.10/16 S](#)

- adapter for gauge with rear connection: ISO.1-12

Accessories

type	part-number	description
ISO.1 P12	9.1811.00.000	Regulator plate ISO.1 (regulating at 1) 0,5-12
ISO.1 P14	9.1811.00.200	Regulator plate ISO.1 (regulating at 1) 0,5-12

Special products

KNOCKS

Manufacturer competence
for filter, lubricator and
regulator technology in
compressed-air conditioning.

www.knocks.de

Our two further product series for even more solutions to problems.

FUTURA

FUTURE BUILT IN

Innovative, compact, modular and highly efficient, the Futura series is the highlight of KNOCKS research.

- Innovative material concept: Grivory GV-6H (60% glass fibre content) – lighter, more rigid and more economic than metal
- Low maintenance

Futura series

<input type="checkbox"/>	Weight = low
<input type="checkbox"/>	Modularity = high
<input checked="" type="checkbox"/>	Temperature stability = -25 °C to +50 °C
<input type="checkbox"/>	Pressure monitoring = possible
<input type="checkbox"/>	Micro-filter monitoring = possible

MULTI-FIX

FIT FOR MAXIMUM PERFORMANCE

Peak performance and up-to-date handling advantages are incisive characteristics of the Multi-Fix series.

- High temperature stability
- Patented modular system
- Material: die-cast zinc

Multi-Fix series

<input type="checkbox"/>	Weight = medium
<input type="checkbox"/>	Modularity = high
<input checked="" type="checkbox"/>	Temperature stability = -25 °C (optionally possible: -40 °C) to +60 °C
<input type="checkbox"/>	Pressure monitoring = possible
<input type="checkbox"/>	Micro-filter monitoring = partially possible



More in the Internet at: www.knocks.de



More in the Internet at: www.knocks.de

Meets the highest requirements. Guaranteed.

QUALITY THAT LIVES UP TO WHAT WE PROMISE.

In the face of increasing globalisation, quality and quality assurance have taken on a new significance. And at KNOCKS, you can count on the following:

- Receiving inspections with computer-assisted optical measurement and error analysis
- Fully automatic functional and leakage testing with statistic evaluation of the test data
- The company is certified according to DIN ISO 9001:2000

We test the quality of our products using a stringent system which allows us to guarantee the continuous quality of our products to our customers. Always proper, always honest – and always official.

And everything is made in Germany! This allows us to maintain full control over all development and manufacturing steps in accordance with German and European standards. This has been our quality promise for 40 years!

In the modern high-rack warehouse system, everything is oriented on the reliable processing of your orders. Some 3,100 pallet spaces and 7,000 storage spaces for smaller parts ensure fast and continual availability. Whatever you need – we always have it ready for delivery!



Reg.-Nr.:
062319 QM



Quality management: with fingertip instincts.



Our warehouse: designed for the quickest delivery.

Special developments, custom-made in Germany.

YOUR REQUIREMENTS ARE OUR STANDARD.

Do you have a problem that requires a special solution? Simply delegate this task to our developers! Our high-performance engineering team can design innovative technologies for you which are guaranteed to be 100% compatible with your requirements.

We build on comprehensive expertise in developing forward-looking series and patented technologies.



- Well-founded expertise in the 3-D area
- State-of-the-art CAD systems

This allows your requirements to quickly take shape.



Our engineering department: always state-of-the-art.

Your desired KNOCKS product? The Finder in the Internet knows all of them.

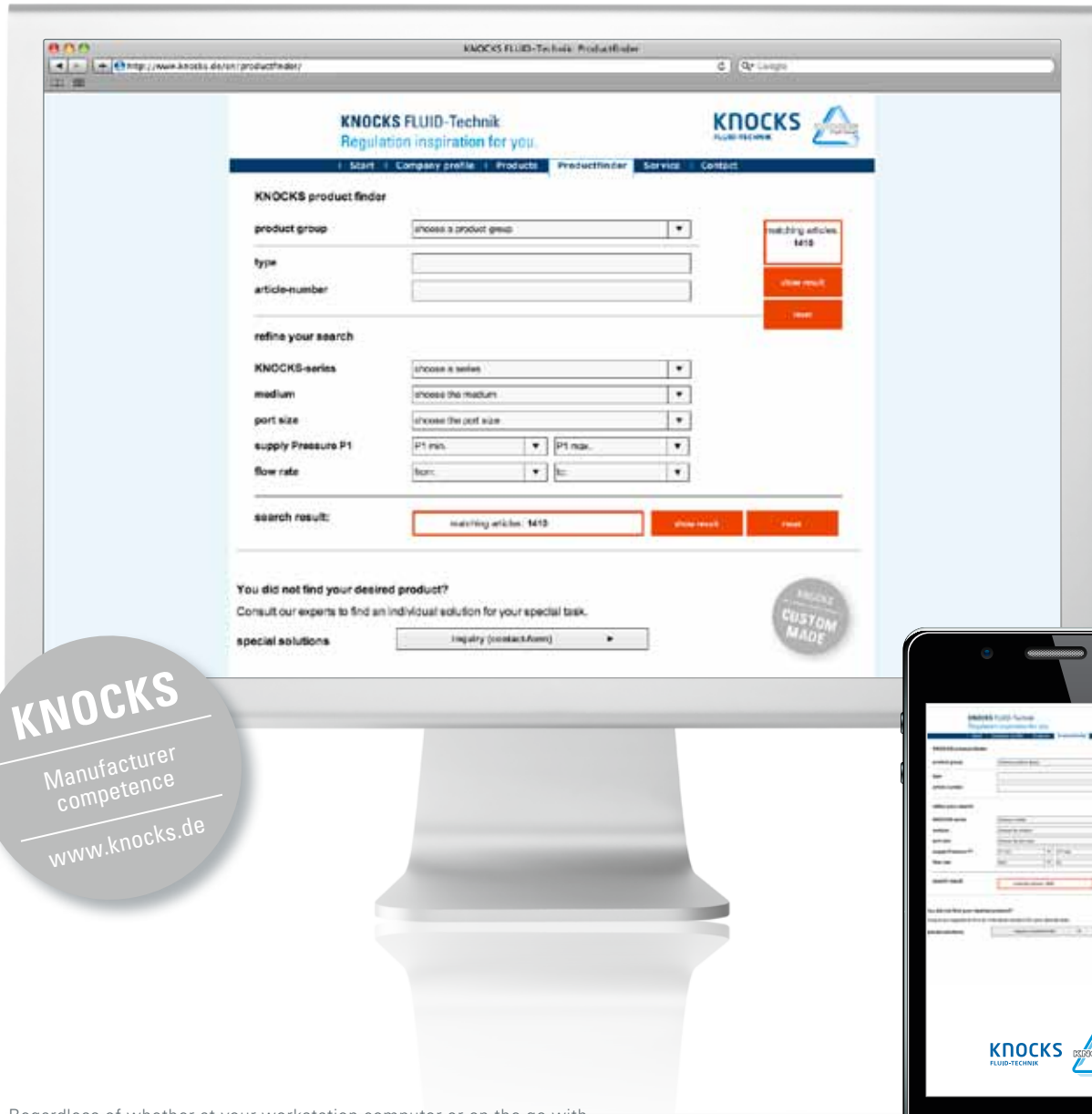
BETTER A QUICK FIND THAN A LENGTHY SEARCH.

In just a few clicks you, you can find the devices you need for compressed-air conditioning in the Internet. At our address www.knocks.de you can activate our new selection tool in the main navigation bar under the point "Productfinder".

By answering the list of questions in a targeted manner, the hit list can be refined. The corresponding data sheet can be generated from this hit list (taking the gross price into account). A contact form for special solutions rounds off our complete solution for all possible customer requests.



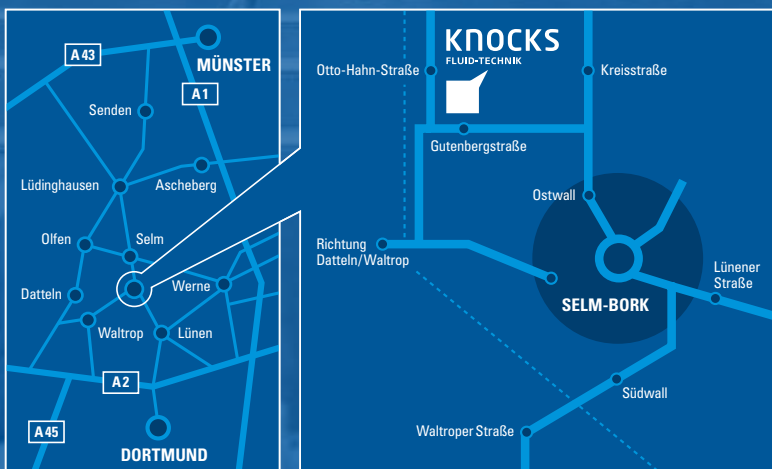
Naturally, you can also find all Futura products online.



KNOCKS
Manufacturer
competence
www.knocks.de

Regardless of whether at your workstation computer or on the go with your mobile device – the KNOCKS Productfinder delivers answers on your personally desired KNOCKS product in a fast and straightforward manner.

Always
one idea
ahead.



KNOCKS Fluid-Technik GmbH
Otto-Hahn-Straße 4
59379 Selm | Germany

Tel. +49 (0) 2592 966 - 0
Fax +49 (0) 2592 966 - 600
E-mail info@knocks.de

www.knocks.de

