

# Multi-Fix series

General catalogue

**KNOCKS**

Manufacturer  
competence

[www.knocks.de](http://www.knocks.de)

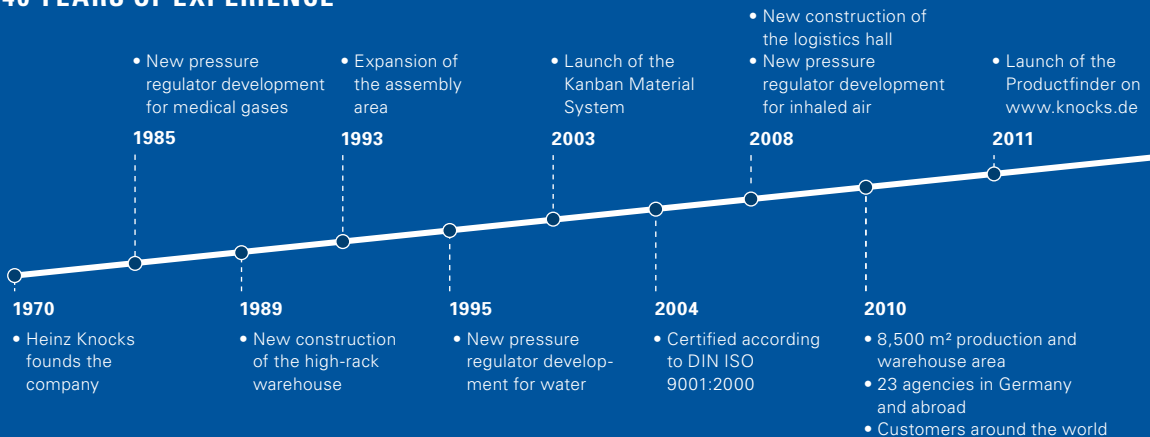
---

**Strong, modular and incomparably durable.**  
The KNOCKS Multi-Fix series.

# KNOCKS

## Regulation inspiration for you.

### 40 YEARS OF EXPERIENCE



# The Multi-Fix series: Fit for maximum performance.

## **ONLY THE BEST IS GOOD ENOUGH FOR YOU?**

Do you require intelligent problem solving? We will regulate it! As one of the leading manufacturers of compressed-air regulator systems and filter technology, we have been driving momentum in the industry for over 40 years. We deliver competent answers to your questions in all areas of compressed-air conditioning – providing not only expertise for a competitive edge, but also fair conditions.

## **OUR MULTI-FIX SERIES**

Peak performance data combined with up-to-date handling advantages are the incisive characteristics of the Multi-Fix series made of die-cast zinc. The units of this series are ideal anywhere in which higher maximum pressure ranges and higher temperature stability are required. Thanks to the patented modular system, all the series components can be combined with one another.



KNOCKS means: made in Germany.



Our Multi-Fix series.

Quality, purity, quantity and composition all play a decisive role in compressed-air conditioning. Each production process has very specific requirements, which the various KNOCKS products of the Multi-Fix series fulfil in an individual and highly secure manner.



## Service 3 unit

BG0 | BG1 | BG3 | BG5

## Service 2 unit

BG0 | BG1 | BG3 | BG5

## Filter regulator

BG0 | BG1 | BG3 | BG5

## Filter

BG0 | BG1 | BG3 | BG5

## Pressure regulator

BG0 | BG1 | BG3 | BG5

## Mist lubricator

BG0 | BG1 | BG3 | BG5

## System extensions

BG0 | BG1 | BG3 | BG5

## Accessories

BG0 | BG1 | BG3 | BG5

## Special products

BG0 | BG1 | BG3 | BG5

Service 3 unit

Service 2 unit

Filter regulator

Filter

Pressure regulator

Mist lubricator

System extensions

Accessories

Special products



## Service 3 unit | BGO



Image shows:  
9.2700.00.600

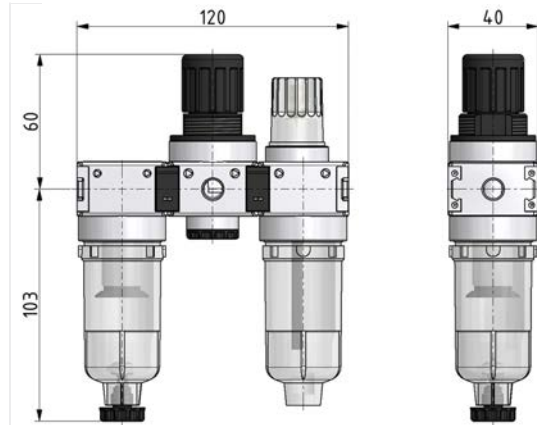
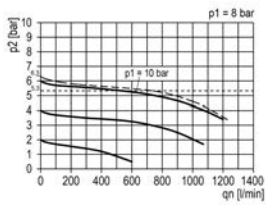
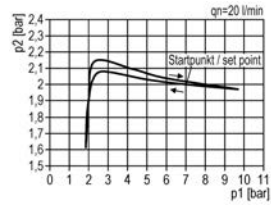


Image shows:  
9.2700.00.600

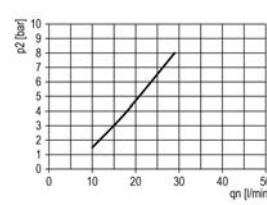
### flow characteristic



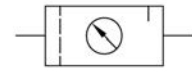
### pressure characteristic



### lubricator operating limit



### symbol



### technical data

- **description:** sinter filter centrifugal principle, diaphragm-type pressure with relieving feature, micro mist lubricator
- **medium:** compressed air, neutral gases
- **supply pressure P1 min.:** 1,5 bar
- **supply pressure P1 max.:** 12 bar
- **temperature range:** -10°C - +60°C
- **bowl:** PC
- **drain:** HA
- **mounting:** vertical
- **filter element:** 5 µm
- **bowl volume lubricator:** 35 cm<sup>3</sup>
- **oil metering qv=1.000l/min:** 10 - 20 drops/min
- **oil type:** CL 32 DIN 51517 - ISO VG 32

### accessories



- coupling kit wall mounting:  
[ZW.00-1](#)



- control panel mounting:  
[MW.30/DR.00-34-2](#)

- lockable setting knob possible

type	part-number	description
FRL.00 HA4	9.2700.00.600	Service 3 unit G1/8 0,5-10 5µm with PC bowl and semi automatic drain
FRL.00 AM10	9.2700.00.604	Service 3 unit G1/8 0,5-10 5µm with PC bowl and automatic drain
FRL.00 M HA4	9.2700.00.606	Service 3 unit G1/8 0,5-10 5µm with metal bowl and semi automatic drain
FRL.01 HA4	9.2701.00.600	Service 3 unit G1/4 0,5-10 5µm with PC bowl and semi automatic drain
FRL.01 AM10	9.2701.00.604	Service 3 unit G1/4 0,5-10 5µm with PC bowl and automatic drain
FRL.01 M HA4	9.2701.00.606	Service 3 unit G1/4 0,5-10 5µm with metal bowl and semi automatic drain

Service 3 unit

Service 2 unit

Filter regulator

Filter

Pressure regulator

Lubricator

System extensions

Accessories

Special products

## Service 3 unit | BG1



Image shows:  
9.2711.006

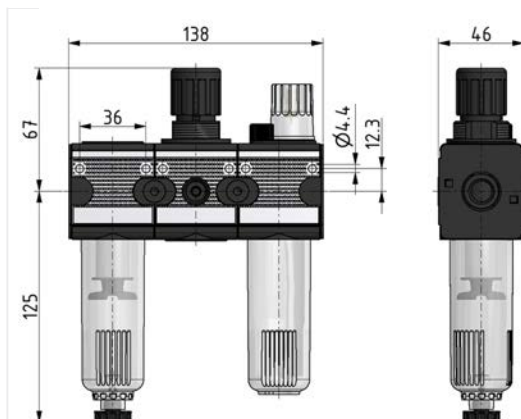
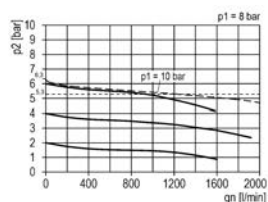
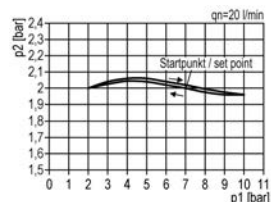


Image shows:  
9.2711.006

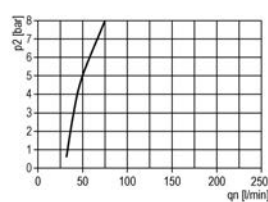
### flow characteristic



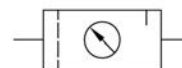
### pressure characteristic



### lubricator operating limit



### symbol



### technical data

- **description:** sinter filter centrifugal principle, diaphragm-type pressure with relieving feature, proportional oiler
- **medium:** compressed air, neutral gases
- **supply pressure P1 min.:** 1,5 bar
- **supply pressure P1 max.:** 16 bar
- **temperature range:** -10°C - +60°C
- **bowl:** PC
- **drain:** HA
- **mounting:** vertical
- **filter element:** 5 µm
- **bowl volume lubricator:** 50 cm<sup>3</sup>
- **oil metering qv=1.000l/min:** 1 - 2 drops/min
- **oil type:** CL 32 DIN 51517 - ISO VG 32

### accessories

- mounting bracket: [ZW.11-1](#)
- control panel mounting: [MW.30/DR.00-34-2](#)
- lockable setting knob possible
- electrical level indicator (version addition: N)

Service 3 unit

Service 2 unit

Filter regulator

Filter

Pressure regulator

Lubricator

System extensions

Accessories

Special products

Service 3 unit

Service 2 unit

Filter regulator

Filter

Pressure regulator

Lubricator

System extensions

Accessories

Special products

type	part-number	description
FRL.11 HA4	9.2711.006	Service 3 unit G1/4 0,5-10 5µm with PC bowl and semi automatic drain
FRL.11 HA4 B	9.2711.010	Service 3 unit G1/4 0,5-10 5µm with PC bowl, bowl guard and semi automatic drain
FRL.11 AM10	9.2711.012	Service 3 unit G1/4 0,5-10 5µm with PC bowl and automatic drain
FRL.12 HA4	9.2712.006	Service 3 unit G3/8 0,5-10 5µm with PC bowl and semi automatic drain
FRL.12 H HA3	9.2712.009	Service 3 unit G3/8 0,5-10 5µm with metal bowl and semi automatic drain
FRL.12 AM10	9.2712.012	Service 3 unit G3/8 0,5-10 5µm with PC bowl and automatic drain
FRL.12 H AM10	9.2712.015	Service 3 unit G3/8 0,5-10 5µm with metal bowl and automatic drain



## Service 3 unit | BG3



Image shows:  
9.2733.006

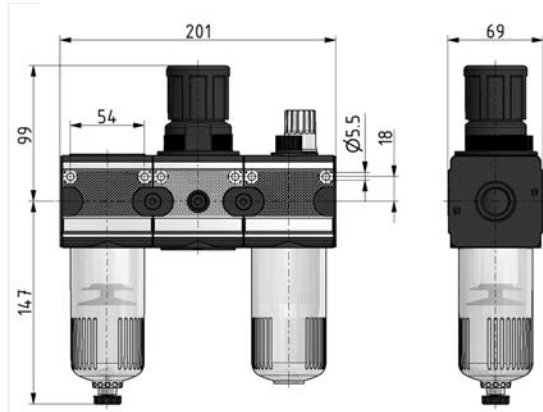
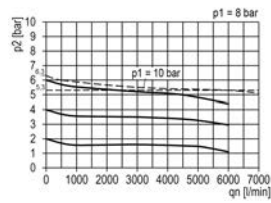
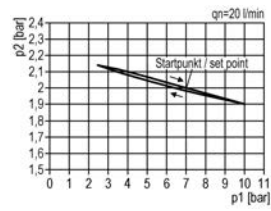


Image shows:  
9.2733.006

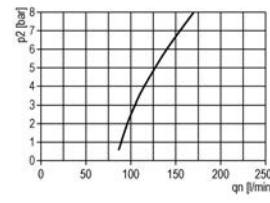
### flow characteristic



### pressure characteristic



### lubricator operating limit



### symbol



### technical data

- **description:** sinter filter centrifugal principle, diaphragm-type pressure with relieving feature, proportional oiler
- **medium:** compressed air, neutral gases
- **supply pressure P1 min.:** 1,5 bar
- **supply pressure P1 max.:** 16 bar
- **temperature range:** -10°C - +60°C
- **bowl:** PC
- **drain:** HA
- **mounting:** vertical
- **filter element:** 5 µm
- **bowl volume lubricator:** 125 cm<sup>3</sup>
- **oil metering qv=1.000l/min:** 1 - 2 drops/min
- **oil type:** CL 32 DIN 51517 - ISO VG 32

### accessories



- mounting bracket: [ZW.33-1](#)



- control panel mounting: [MW.50/C.33-42](#)

- lockable setting knob possible

- electrical level indicator (version addition: N)

type	part-number	description
FRL.33 HA4	9.2733.006	Service 3 unit G1/2 0,5-10 5µm with PC bowl and semi automatic drain
FRL.33 HA4 B	9.2733.010	Service 3 unit G1/2 0,5-10 5µm with PC bowl, bowl guard and semi automatic drain
FRL.34 HA4	9.2734.006	Service 3 unit G3/4 0,5-10 5µm with PC bowl and semi automatic drain
FRL.34 H HA3	9.2734.009	Service 3 unit G3/4 0,5-10 5µm with metal bowl/visual display and semi automatic drain
FRL.34 HA4 B	9.2734.010	Service 3 unit G3/4 0,5-10 5µm with PC bowl, bowl guard and semi automatic drain

## Service 3 unit | BG4



Image shows:  
9.2744.010

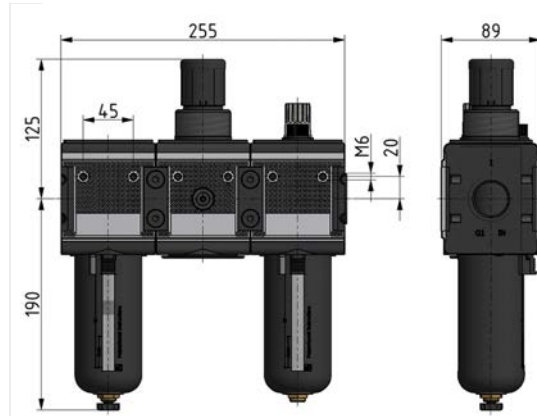
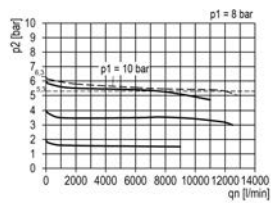
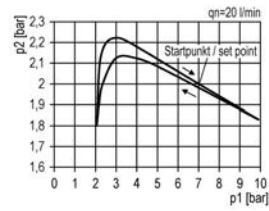


Image shows:  
9.2744.010

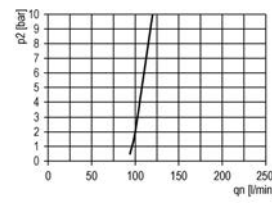
### flow characteristic



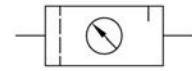
### pressure characteristic



### lubricator operating limit



### symbol



### technical data

- **description:** sinter filter centrifugal principle, pilot controlled diaphragm-type pressure with relieving feature, proportional oiler
- **medium:** compressed air, neutral gases
- **supply pressure P1 min.:** 1,5 bar
- **supply pressure P1 max.:** 16 bar
- **temperature range:** -10°C - +60°C
- **bowl:** PC with PA bowl guard
- **drain:** HA
- **mounting:** vertical
- **filter element:** 5 µm
- **bowl volume lubricator:** 181 cm<sup>3</sup>
- **oil metering qv=1.000l/min:** 1 - 2 drops/min
- **oil type:** CL 32 DIN 51517 - ISO VG 32
- **air consumption:** max. 1,5 l/min

### accessories

- mounting bracket: [ZW.45](#)
- electrical level indicator (version addition: N)

type	part-number	description
FRL.44 HA3 B	9.2744.010	Service 3 unit G3/4 0,5-10 5µm with PC bowl, bowl guard and semi automatic drain
FRL.44 AM10 B	9.2744.016	Service 3 unit G3/4 0,5-10 5µm with PC bowl, bowl guard and automatic drain
FRL.45 HA3 B	9.2745.010	Service 3 unit G1 0,5-10 5µm with PC bowl, bowl guard and semi automatic drain
FRL.45 AM10 B	9.2745.016	Service 3 unit G1 0,5-10 5µm with PC bowl, bowl guard and automatic drain

Service 3 unit

Service 2 unit

Filter regulator

Filter

Pressure regulator

Lubricator

System extensions

Accessories

Special products

## Service 3 unit | BG5



Image shows:  
9.2754.00.294

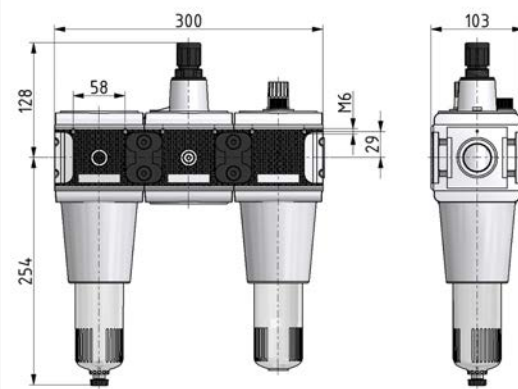
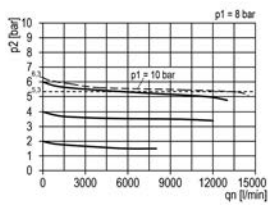
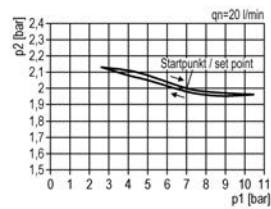


Image shows:  
9.2754.00.294

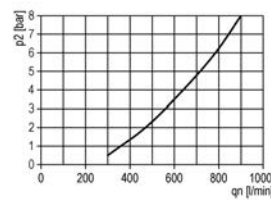
### flow characteristic



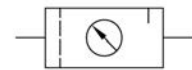
### pressure characteristic



### lubricator operating limit



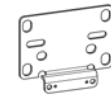
### symbol



### technical data

- **description:** sinter filter centrifugal principle, pilot controlled diaphragm-type pressure with relieving feature, proportional oiler
- **medium:** compressed air, neutral gases
- **supply pressure P1 min.:** 1,5 bar
- **supply pressure P1 max.:** 16 bar
- **temperature range:** -10°C - +60°C
- **bowl:** PC
- **drain:** HA
- **mounting:** vertical
- **filter element:** 40 µm
- **bowl volume lubricator:** 450 cm<sup>3</sup>
- **oil metering qv=1.000l/min:** 1 - 2 drops/min
- **oil type:** CL 32 DIN 51517 - ISO VG 32

### accessories



- mounting bracket: [ZW.55](#)

- lockable setting knob possible

- electrical level indicator (version addition: N)

Service 3 unit

Service 2 unit

Filter regulator

Filter

Pressure regulator

Lubricator

System extensions

Accessories

Special products

type	part-number	description
FRL.54 HA4	9.2754.00.294	Service 3 unit G3/4 0,5-10 40µm with PC bowl and semi automatic drain
FRL.54 H HA3	9.2754.00.297	Service 3 unit G3/4 0,5-10 40µm with metal bowl/visual display and semi automatic drain
FRL.54 AM10	9.2754.00.300	Service 3 unit G3/4 0,5-10 40µm with PC bowl and automatic drain
FRL.54 H AM10	9.2754.00.303	Service 3 unit G3/4 0,5-10 40µm with metal bowl/visual display and automatic drain
FRL.55 HA4	9.2755.00.294	Service 3 unit G1 0,5-10 40µm with PC bowl and semi automatic drain
FRL.55 H HA3	9.2755.00.297	Service 3 unit G1 0,5-10 40µm with metal bowl/visual display and semi automatic drain
FRL.55 HA4 B	9.2755.00.298	Service 3 unit G1 0,5-10 40µm with PC bowl, bowl guard and semi automatic drain
FRL.55 AM10	9.2755.00.300	Service 3 unit G1 0,5-10 40µm with PC bowl and automatic drain
FRL.55 H AM10	9.2755.00.303	Service 3 unit G1 0,5-10 40µm with metal bowl/visual display and automatic drain

## Service 2 unit | BGO



Image shows:  
9.2800.00.000

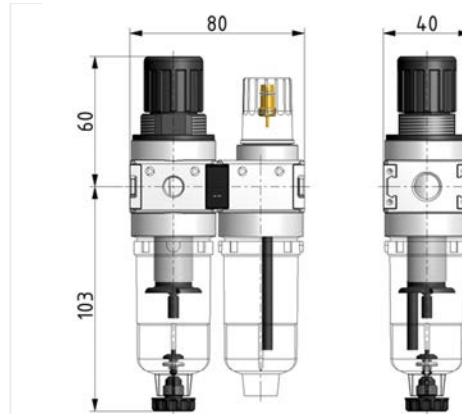
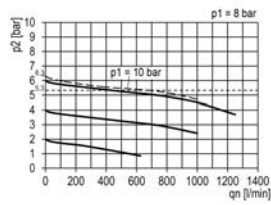
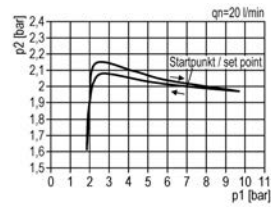


Image shows:  
9.2800.00.000

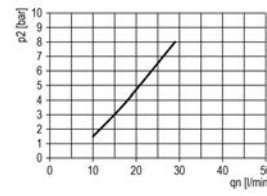
### flow characteristic



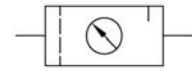
### pressure characteristic



### lubricator operating limit



### symbol



### technical data

- **description:** sinter filter centrifugal principle, diaphragm-type pressure with relieving feature, micro mist lubricator
- **medium:** compressed air, neutral gases
- **supply pressure P1 min.:** 1,5 bar
- **supply pressure P1 max.:** 12 bar
- **temperature range:** -10°C - +60°C
- **bowl:** PC
- **drain:** HA
- **mounting:** vertical
- **filter element:** 5 µm
- **bowl volume lubricator:** 35 cm<sup>3</sup>
- **oil metering qv=1.000l/min:** 10 - 20 drops/min
- **oil type:** CL 32 DIN 51517 - ISO VG 32

### accessories



- coupling kit wall mounting: [ZW.00-1](#)



- control panel mounting: [MW.30/DR.00-34-2](#)

- lockable setting knob possible

type	part-number	description
CL.00 HA4	9.2800.00.000	Service 2 unit G1/8 0,5-10 5µm with PC bowl and semi automatic drain
CL.00 AM10	9.2800.00.004	Service 2 unit G1/8 0,5-10 5µm with PC bowl and automatic drain
CL.00 M HA4	9.2800.00.006	Service 2 unit G1/8 0,5-10 5µm with metal bowl and semi automatic drain
CL.01 HA4	9.2801.00.000	Service 2 unit G1/4 0,5-10 5µm with PC bowl and semi automatic drain
CL.01 AM10	9.2801.00.004	Service 2 unit G1/4 0,5-10 5µm with PC bowl and automatic drain
CL.01 M HA4	9.2801.00.006	Service 2 unit G1/4 0,5-10 5µm with metal bowl and semi automatic drain

## Service 2 unit | BG1



Image shows:  
9.2811.006

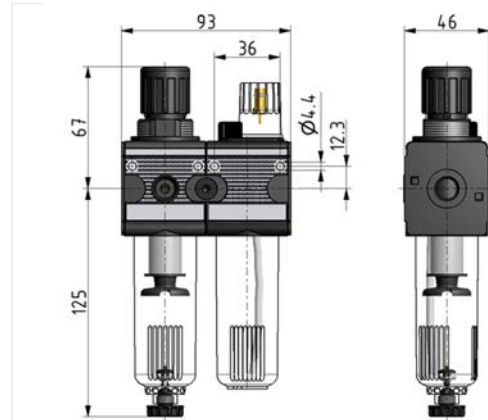
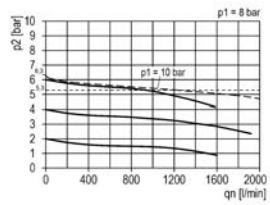
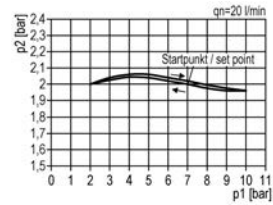


Image shows:  
9.2811.006

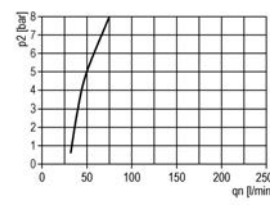
### flow characteristic



### pressure characteristic



### lubricator operating limit



### symbol



### technical data

- **description:** sinter filter centrifugal principle, diaphragm-type pressure with relieving feature, proportional oiler
- **medium:** compressed air, neutral gases
- **supply pressure P1 min.:** 1,5 bar
- **supply pressure P1 max.:** 16 bar
- **temperature range:** -10°C - +60°C
- **bowl:** PC
- **drain:** HA
- **mounting:** vertical
- **filter element:** 5 µm
- **bowl volume lubricator:** 50 cm<sup>3</sup>
- **oil metering qv=1.000/min:** 1 - 2 drops/min
- **oil type:** CL 32 DIN 51517 - ISO VG 32

### accessories



- mounting bracket: [ZW.11-1](#)



- control panel mounting: [MW.30/DR.00-34-2](#)

- lockable setting knob possible

- electrical level indicator (version addition: N)



type	part-number	description
CL.11 HA4	9.2811.006	Service 2 unit G1/4 0,5-10 5µm with PC bowl and semi automatic drain
CL.11 H HA3	9.2811.009	Service 2 unit G1/4 0,5-10 5µm with metal bowl/visual display and semi automatic drain
CL.11 HA4 B	9.2811.010	Service 2 unit G1/4 0,5-10 5µm with PC bowl, bowl guard and semi automatic drain
CL.11 AM10	9.2811.012	Service 2 unit G1/4 0,5-10 5µm with PC bowl and automatic drain
CL.11 H AM10	9.2811.015	Service 2 unit G1/4 0,5-10 5µm with metal bowl/visual display and automatic drain
CL.12 HA4	9.2812.006	Service 2 unit G3/8 0,5-10 5µm with PC bowl and semi automatic drain
CL.12 H HA3	9.2812.009	Service 2 unit G3/8 0,5-10 5µm with metal bowl/visual display and semi automatic drain
CL.12 HA4 B	9.2812.010	Service 2 unit G3/8 0,5-10 5µm with PC bowl, bowl guard and semi automatic drain
CL.12 AM10	9.2812.012	Service 2 unit G3/8 0,5-10 5µm with PC bowl and automatic drain
CL.12 H AM10	9.2812.015	Service 2 unit G3/8 0,5-10 5µm with metal bowl/visual display and automatic drain

Service 3 unit

Service 2 unit

Filter regulator

Filter

Pressure regulator

Lubricator

System extensions

Accessories

Special products

## Service 2 unit | BG3



Image shows:  
9.2833.006

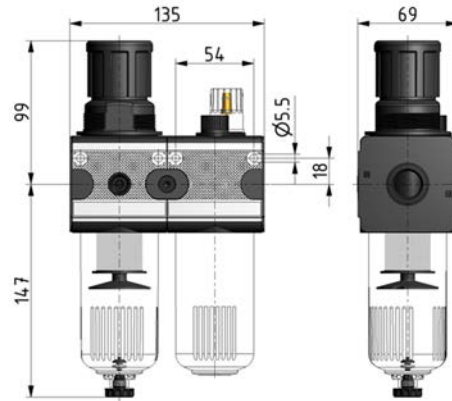
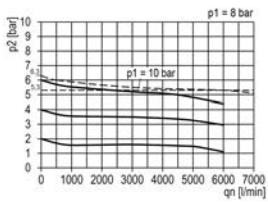
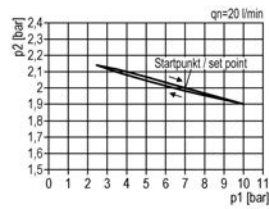


Image shows:  
9.2833.006

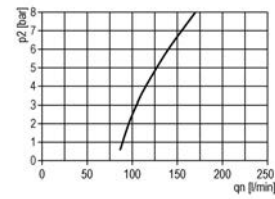
### flow characteristic



### pressure characteristic



### lubricator operating limit



### symbol



### technical data

- **description:** sinter filter centrifugal principle, diaphragm-type pressure with relieving feature, proportional oiler
- **medium:** compressed air, neutral gases
- **supply pressure P1 min.:** 1,5 bar
- **supply pressure P1 max.:** 16 bar
- **temperature range:** -10°C - +60°C
- **bowl:** PC
- **drain:** HA
- **mounting:** vertical
- **filter element:** 5 µm
- **bowl volume lubricator:** 125 cm<sup>3</sup>
- **oil metering qv=1.000l/min:** 1 - 2 drops/min
- **oil type:** CL 32 DIN 51517 - ISO VG 32

### accessories

- mounting bracket: [ZW.33-1](#)
- control panel mounting: [MW.50/C.33-42](#)
- lockable setting knob possible
- electrical level indicator (version addition: N)

Service 3 unit

Service 2 unit

Filter regulator

Filter

Pressure regulator

Lubricator

System extensions

Accessories

Special products

type	part-number	description
CL.33 HA4	9.2833.006	Service 2 unit G1/2 0,5-10 5µm with PC bowl and semi automatic drain
CL.33 H HA3	9.2833.009	Service 2 unit G1/2 0,5-10 5µm with metal bowl/visual display and semi automatic drain
CL.33 HA4 B	9.2833.010	Service 2 unit G1/2 0,5-10 5µm with PC bowl, bowl guard and semi automatic drain
CL.33 AM10	9.2833.012	Service 2 unit G1/2 0,5-10 5µm with PC bowl and automatic drain
CL.33 H AM10	9.2833.015	Service 2 unit G1/2 0,5-10 5µm with metal bowl/visual display and automatic drain
CL.33 AM10 B	9.2833.016	Service 2 unit G1/2 0,5-10 5µm with PC bowl, bowl guard and automatic drain
CL.34 HA4	9.2834.006	Service 2 unit G3/4 0,5-10 5µm with PC bowl and semi automatic drain
CL.34 H HA3	9.2834.009	Service 2 unit G3/4 0,5-10 5µm with metal bowl/visual display and semi automatic drain
CL.34 HA4 B	9.2834.010	Service 2 unit G3/4 0,5-10 5µm with PC bowl, bowl guard and semi automatic drain
CL.34 AM10	9.2834.012	Service 2 unit G3/4 0,5-10 5µm with PC bowl and automatic drain
CL.34 H AM10	9.2834.015	Service 2 unit G3/4 0,5-10 5µm with metal bowl/visual display and automatic drain

## Service 2 unit | BG4



Image shows:  
9.2844.010

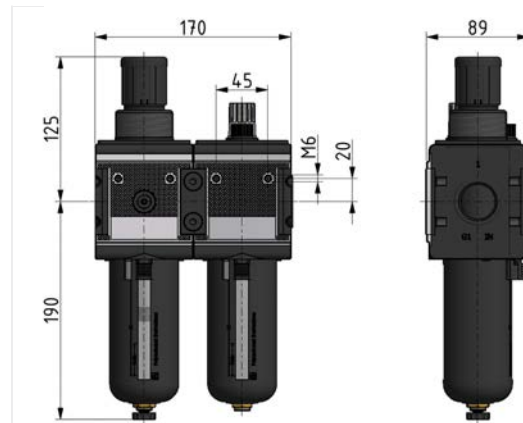
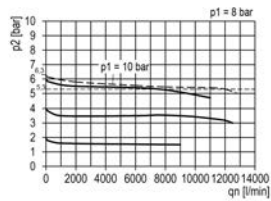
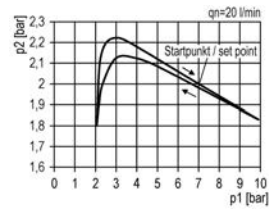


Image shows:  
9.2844.010

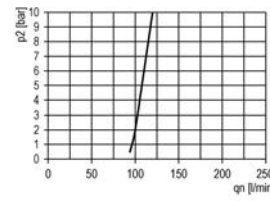
### flow characteristic



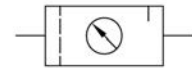
### pressure characteristic



### lubricator operating limit



### symbol



### technical data

- **description:** sinter filter centrifugal principle, pilot controlled diaphragm-type pressure with relieving feature, proportional oiler
- **medium:** compressed air, neutral gases
- **supply pressure P1 min.:** 1,5 bar
- **supply pressure P1 max.:** 16 bar
- **temperature range:** -10°C - +60°C
- **bowl:** PC with PA bowl guard
- **drain:** HA
- **mounting:** vertical
- **filter element:** 5 µm
- **bowl volume lubricator:** 181 cm<sup>3</sup>
- **oil metering qv=1.000l/min:** 1 - 2 drops/min
- **oil type:** CL 32 DIN 51517 - ISO VG 32
- **air consumption:** max. 1,5 l/min

### accessories

- mounting bracket: [ZW.45](#)
- electrical level indicator (version addition: N)

type	part-number	description
CL.44 HA3 B	9.2844.010	Service 2 unit G3/4 0,5-10 5µm with PC bowl, bowl guard and semi automatic drain
CL.44 AM10 B	9.2844.016	Service 2 unit G3/4 0,5-10 5µm with PC bowl, bowl guard and automatic drain
CL.45 HA3 B	9.2845.010	Service 2 unit G1 0,5-10 5µm with PC bowl, bowl guard and semi automatic drain
CL.45 AM10 B	9.2845.016	Service 2 unit G1 0,5-10 5µm with PC bowl, bowl guard and automatic drain

Service 3 unit

Service 2 unit

Filter regulator

Filter

Pressure regulator

Lubricator

System extensions

Accessories

Special products

## Service 2 unit | BG5



Image shows:  
9.2854.00.294

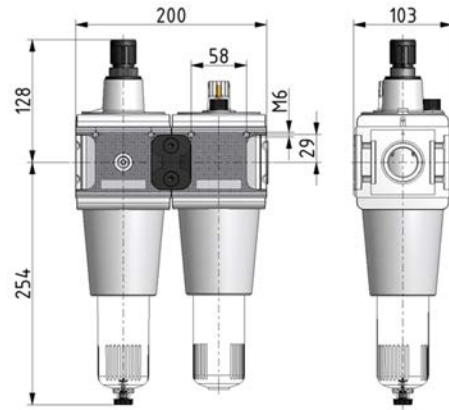
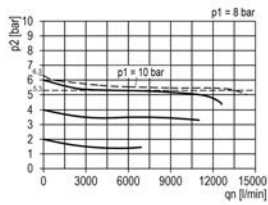
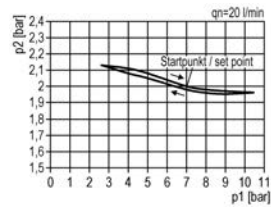


Image shows:  
9.2854.00.294

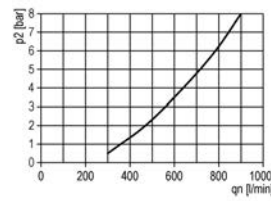
### flow characteristic



### pressure characteristic



### lubricator operating limit



### symbol



### technical data

- **description:** sinter filter centrifugal principle, pilot controlled diaphragm-type pressure with relieving feature, proportional oiler
- **medium:** compressed air, neutral gases
- **supply pressure P1 min.:** 1,5 bar
- **supply pressure P1 max.:** 16 bar
- **temperature range:** -10°C - +60°C
- **bowl:** PC
- **drain:** HA
- **mounting:** vertical
- **filter element:** 40 µm
- **bowl volume lubricator:** 550 cm<sup>3</sup>
- **oil metering qv=1.000l/min:** 1 - 2 drops/min
- **oil type:** CL 32 DIN 51517 - ISO VG 32

### accessories



- mounting bracket: [ZW.55](#)

- lockable setting knob possible

- electrical level indicator (version addition: N)

	type	part-number	description	
Service 3 unit	CL.54 HA4	9.2854.00.294	Service 2 unit G3/4 0,5-10 40µm with PC bowl and semi automatic drain	
	CL.54 H HA3	9.2854.00.297	Service 2 unit G3/4 0,5-10 40µm with metal bowl/visual display and semi automatic drain	
Service 2 unit	CL.54 AM10	9.2854.00.300	Service 2 unit G3/4 0,5-10 40µm with PC bowl and automatic drain	
	CL.54 H AM10	9.2854.00.303	Service 2 unit G3/4 0,5-10 40µm with metal bowl/visual display and automatic drain	
	CL.55 HA4	9.2855.00.294	Service 2 unit G1 0,5-10 40µm with PC bowl and semi automatic drain	
	CL.55 H HA3	9.2855.00.297	Service 2 unit G1 0,5-10 40µm with metal bowl/visual display and semi automatic drain	
	CL.55 HA4 B	9.2855.00.298	Service 2 unit G1 0,5-10 40µm with PC bowl, bowl guard and semi automatic drain	
	CL.55 AM10	9.2855.00.300	Service 2 unit G1 0,5-10 40µm with PC bowl and automatic drain	
	CL.55 H AM10	9.2855.00.303	Service 2 unit G1 0,5-10 40µm with metal bowl/visual display and automatic drain	
	CL.55 AM10 B	9.2855.00.304	Service 2 unit G1 0,5-10 40µm with PC bowl, bowl guard and automatic drain	
	Filter regulator			
Filter				
Pressure regulator				
Lubricator				
System extensions				
Accessories				
Special products				



## Filter regulator | BGO



Image shows:  
9.2100.00.000

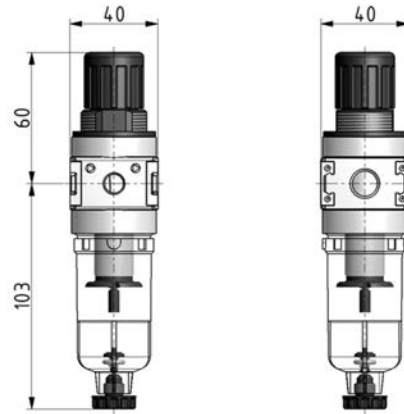
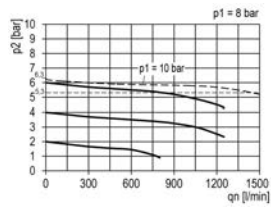
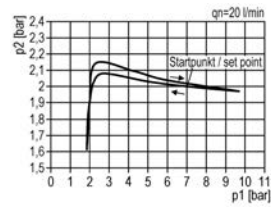


Image shows:  
9.2100.00.000

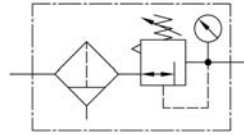
### flow characteristic



### pressure characteristic



### symbol



### technical data

- **description:** sinter filter centrifugal principle, diaphragm-type pressure with relieving feature
- **medium:** compressed air, neutral gases
- **supply pressure P1 min.:** 1,5 bar
- **supply pressure P1 max.:** 16 bar
- **temperature range:** -10°C - +60°C
- **bowl:** PC
- **drain:** HA
- **mounting:** vertical
- **filter element:** 5 µm

### accessories



- coupling kit wall mounting:  
[ZW.00-1](#)



- control panel mounting:  
[MW.30/DR.00-34-2](#)

- lockable setting knob possible

type	part-number	description
C.00 HA4	9.2100.00.000	Filter regulator G1/8 0,5-10 5µm with PC bowl and semi automatic drain
C.00 B HA4	9.2100.00.001	Filter regulator G1/8 0,5-10 5µm with PC bowl, bowl guard and semi automatic drain
C.00 AM10	9.2100.00.004	Filter regulator G1/8 0,5-10 5µm with PC bowl and automatic drain
C.00 M HA4	9.2100.00.006	Filter regulator G1/8 0,5-10 5µm with metal bowl and semi automatic drain
C.01 HA4	9.2101.00.000	Filter regulator G1/4 0,5-10 5µm with PC bowl and semi automatic drain
C.01 B HA4	9.2101.00.001	Filter regulator G1/4 0,5-10 5µm with PC bowl, bowl guard and semi automatic drain
C.01 AM10	9.2101.00.004	Filter regulator G1/4 0,5-10 5µm with PC bowl and automatic drain
C.01 M HA4	9.2101.00.006	Filter regulator G1/4 0,5-10 5µm with metal bowl and semi automatic drain

Service 3 unit

Service 2 unit

Filter regulator

Filter

Pressure regulator

Lubricator

System extensions

Accessories

Special products

## Filter regulator | BG1



Image shows:  
9.2111.006

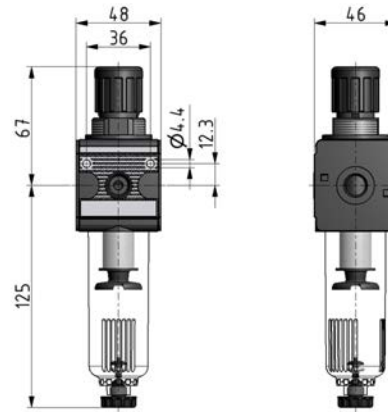
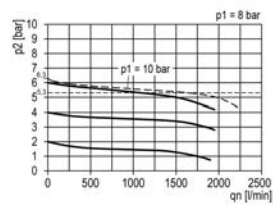
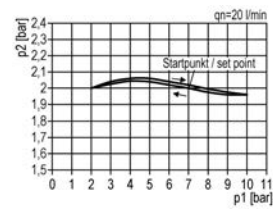


Image shows:  
9.2111.006

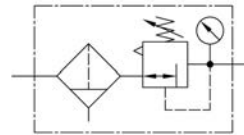
### flow characteristic



### pressure characteristic



### symbol



### technical data

- **description:** sinter filter centrifugal principle, diaphragm-type pressure with relieving feature
- **medium:** compressed air, neutral gases
- **supply pressure P1 min.:** 1,5 bar
- **supply pressure P1 max.:** 16 bar
- **temperature range:** -10°C - +60°C
- **bowl:** PC
- **drain:** HA
- **mounting:** vertical
- **filter element:** 5 µm

### accessories



- mounting bracket: [ZW.11-1](#)



- control panel mounting: [MW.30/DR.00-34-2](#)

- lockable setting knob possible

type	part-number	description
C.11 HA4	9.2111.006	Filter regulator G1/4 0,5-10 5µm with PC bowl and semi automatic drain
C.11 H HA3	9.2111.009	Filter regulator G1/4 0,5-10 5µm with metal bowl/visual display and semi automatic drain
C.11 HA4 B	9.2111.010	Filter regulator G1/4 0,5-10 5µm with PC bowl, bowl guard and semi automatic drain
C.11 AM10	9.2111.012	Filter regulator G1/4 0,5-10 5µm with PC bowl and automatic drain
C.11 H AM10	9.2111.015	Filter regulator G1/4 0,5-10 5µm with metal bowl/visual display and automatic drain
C.11 AM10 B	9.2111.016	Filter regulator G1/4 0,5-10 5µm with PC bowl, bowl guard and automatic drain
C.12 HA4	9.2112.006	Filter regulator G3/8 0,5-10 5µm with PC bowl and semi automatic drain
C.12 H HA3	9.2112.009	Filter regulator G3/8 0,5-10 5µm with metal bowl/visual display and semi automatic drain
C.12 HA4 B	9.2112.010	Filter regulator G3/8 0,5-10 5µm with PC bowl, bowl guard and semi automatic drain
C.12 AM10	9.2112.012	Filter regulator G3/8 0,5-10 5µm with PC bowl and automatic drain
C.12 H AM10	9.2112.015	Filter regulator G3/8 0,5-10 5µm with metal bowl/visual display and automatic drain
C.12 AM10 B	9.2112.016	Filter regulator G3/8 0,5-10 5µm with PC bowl, bowl guard and automatic drain

Service 3 unit

Service 2 unit

Filter regulator

Filter

Pressure regulator

Lubricator

System extensions

Accessories

Special products

## Filter regulator | BG3



Image shows:  
9.2133.006

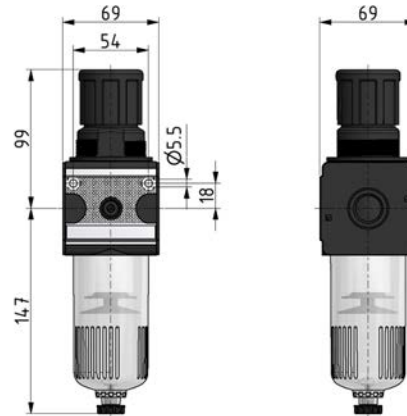
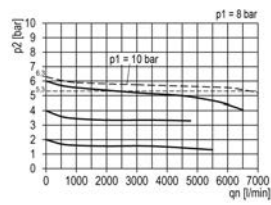
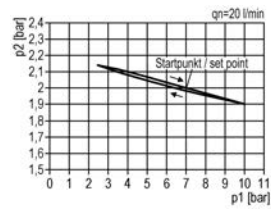


Image shows:  
9.2133.006

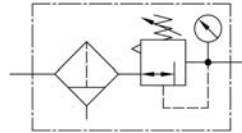
### flow characteristic



### pressure characteristic



### symbol



### technical data

- **description:** sinter filter centrifugal principle, diaphragm-type pressure with relieving feature
- **medium:** compressed air, neutral gases
- **supply pressure P1 min.:** 1,5 bar
- **supply pressure P1 max.:** 16 bar
- **temperature range:** -10°C - +60°C
- **bowl:** PC
- **drain:** HA
- **mounting:** vertical
- **filter element:** 5 µm

### accessories



- mounting bracket: [ZW.33-1](#)



- control panel mounting: [MW.50/C.33-42](#)

- lockable setting knob possible

type	part-number	description
C.33 HA4	9.2133.006	Filter regulator G1/2 0,5-10 5µm with PC bowl and semi automatic drain
C.33 H HA3	9.2133.009	Filter regulator G1/2 0,5-10 5µm with metal bowl/visual display and semi automatic drain
C.33 HA4 B	9.2133.010	Filter regulator G1/2 0,5-10 5µm with PC bowl, bowl guard and semi automatic drain
C.33 AM10	9.2133.012	Filter regulator G1/2 0,5-10 5µm with PC bowl and automatic drain
C.33 H AM10	9.2133.015	Filter regulator G1/2 0,5-10 5µm with metal bowl/visual display and automatic drain
C.33 AM10 B	9.2133.016	Filter regulator G1/2 0,5-10 5µm with PC bowl, bowl guard and automatic drain
C.34 HA4	9.2134.006	Filter regulator G3/4 0,5-10 5µm with PC bowl and semi automatic drain
C.34 H HA3	9.2134.009	Filter regulator G3/4 0,5-10 5µm with metal bowl/visual display and semi automatic drain
C.34 HA4 B	9.2134.010	Filter regulator G3/4 0,5-10 5µm with PC bowl, bowl guard and semi automatic drain
C.34 AM10	9.2134.012	Filter regulator G3/4 0,5-10 5µm with PC bowl and automatic drain
C.34 H AM10	9.2134.015	Filter regulator G3/4 0,5-10 5µm with metal bowl/visual display and automatic drain
C.34 AM10 B	9.2134.016	Filter regulator G3/4 0,5-10 5µm with PC bowl, bowl guard and automatic drain

Service 3 unit

Service 2 unit

Filter regulator

Filter

Pressure regulator

Lubricator

System extensions

Accessories

Special products



## Filter regulator | BG4



Image shows:  
9.2144.009

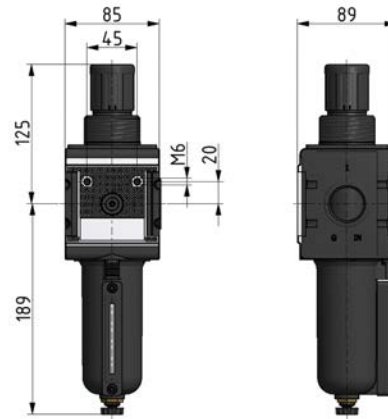
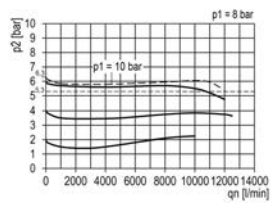
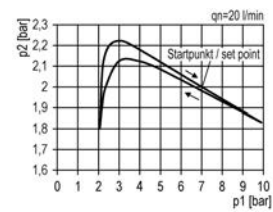


Image shows:  
9.2144.009

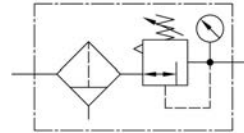
### flow characteristic



### pressure characteristic



### symbol



### technical data

- **description:** sinter filter centrifugal principle, pilot controlled diaphragm-type pressure with relieving feature
- **medium:** compressed air, neutral gases
- **supply pressure P1 min.:** 1,5 bar
- **supply pressure P1 max.:** 16 bar
- **temperature range:** -10°C - +60°C
- **bowl:** metal bowl with level indicator
- **drain:** HA3
- **mounting:** vertical
- **filter element:** 5 µm
- **air consumption:** max. 1,5 l/min

### accessories



- mounting bracket: [ZW.45](#)

	type	part-number	description
Service 3 unit	C.44 H HA3	9.2144.009	Filter regulator G3/4 0,5-10 5µm with metal bowl/visual display and semi automatic drain
	C.44 HA3 B	9.2144.010	Filter regulator G3/4 0,5-10 5µm with PC bowl, bowl guard and semi automatic drain
	C.44 H AM10	9.2144.015	Filter regulator G3/4 0,5-10 5µm with metal bowl/visual display and automatic drain
	C.44 AM10 B	9.2144.016	Filter regulator G3/4 0,5-10 5µm with PC bowl, bowl guard and automatic drain
Service 2 unit	C.44 G H HA3	9.2144.045	Filter regulator G3/4 0,5-10 5µm with metal bowl/visual display, semi automatic drain and gauge G 63.16 R
	C.44 G HA3 B	9.2144.046	Filter regulator G3/4 0,5-10 5µm with PC bowl, bowl guard, semi automatic drain and gauge G 63.16 R
	C.44 G H AM10	9.2144.051	Filter regulator G3/4 0,5-10 5µm with metal bowl/visual display, automatic drain and gauge G 63.16 R
	C.44 G AM10 B	9.2144.052	Filter regulator G3/4 0,5-10 5µm with PC bowl, bowl guard, automatic drain and gauge G 63.16 R
Filter regulator	C.45 H HA3	9.2145.009	Filter regulator G1 0,5-10 5µm with metal bowl/visual display and semi automatic drain
	C.45 HA3 B	9.2145.010	Filter regulator G1 0,5-10 5µm with PC bowl, bowl guard and semi automatic drain
Filter	C.45 H AM10	9.2145.015	Filter regulator G1 0,5-10 5µm with metal bowl/visual display and automatic drain
	C.45 AM10 B	9.2145.016	Filter regulator G1 0,5-10 5µm with PC bowl, bowl guard and automatic drain
	C.45 G H HA3	9.2145.045	Filter regulator G1 0,5-10 5µm with metal bowl/visual display, semi automatic drain and gauge G 63.16 R
Pressure regulator	C.45 G HA3 B	9.2145.046	Filter regulator G1 0,5-10 5µm with PC bowl, bowl guard, semi automatic drain and gauge G 63.16 R
	C.45 G H AM10	9.2145.051	Filter regulator G1 0,5-10 5µm with metal bowl/visual display, automatic drain and gauge G 63.16 R
	C.45 G AM10 B	9.2145.052	Filter regulator G1 0,5-10 5µm with PC bowl, bowl guard, automatic drain and gauge G 63.16 R
Lubricator			
System extensions			
Accessories			
Special products			

## Filter regulator | BG5



Image shows:  
9.2154.00.294

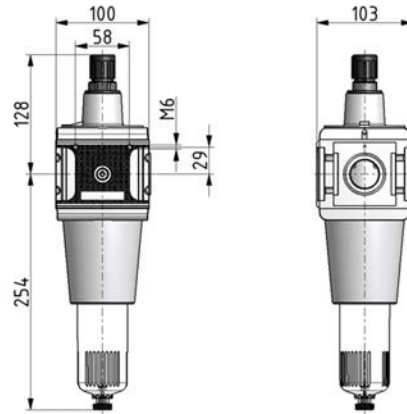
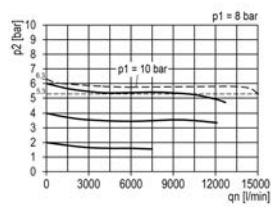
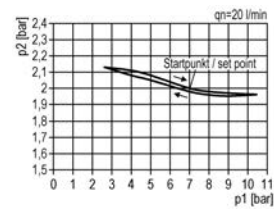


Image shows:  
9.2154.00.294

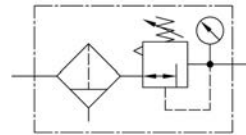
### flow characteristic



### pressure characteristic



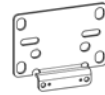
### symbol



### technical data

- **description:** sinter filter centrifugal principle, pilot controlled diaphragm-type pressure with relieving feature
- **medium:** compressed air, neutral gases
- **supply pressure P1 min.:** 1,5 bar
- **supply pressure P1 max.:** 16 bar
- **temperature range:** -10°C - +60°C
- **bowl:** PC
- **drain:** HA
- **mounting:** vertical
- **filter element:** 40 µm
- **air consumption:** max. 0,5 l/min

### accessories



- mounting bracket: [ZW.55](#)

- lockable setting knob possible

type	part-number	description
C.54 HA4	9.2154.00.294	Filter regulator G3/4 0,5-10 40µm with PC bowl and semi automatic drain
C.54 H HA3	9.2154.00.297	Filter regulator G3/4 0,5-10 40µm with metal bowl/visual display and semi automatic drain
C.54 HA4 B	9.2154.00.298	Filter regulator G3/4 0,5-10 40µm with PC bowl, bowl guard and semi automatic drain
C.54 AM10	9.2154.00.300	Filter regulator G3/4 0,5-10 40µm with PC bowl and automatic drain
C.54 H AM10	9.2154.00.303	Filter regulator G3/4 0,5-10 40µm with metal bowl/visual display and automatic drain
C.55 HA4	9.2155.00.294	Filter regulator G1 0,5-10 40µm with PC bowl and semi automatic drain
C.55 H HA3	9.2155.00.297	Filter regulator G1 0,5-10 40µm with metal bowl/visual display and semi automatic drain
C.55 HA4 B	9.2155.00.298	Filter regulator G1 0,5-10 40µm with PC bowl, bowl guard and semi automatic drain
C.55 AM10	9.2155.00.300	Filter regulator G1 0,5-10 40µm with PC bowl and automatic drain
C.55 H AM10	9.2155.00.303	Filter regulator G1 0,5-10 40µm with metal bowl/visual display and automatic drain
C.55 AM10 B	9.2155.00.304	Filter regulator G1 0,5-10 40µm with PC bowl, bowl guard and automatic drain

Service 3 unit

Service 2 unit

Filter regulator

Filter

Pressure regulator

Lubricator

System extensions

Accessories

Special products

## Filter | BGO



Image shows:  
9.1300.00.000

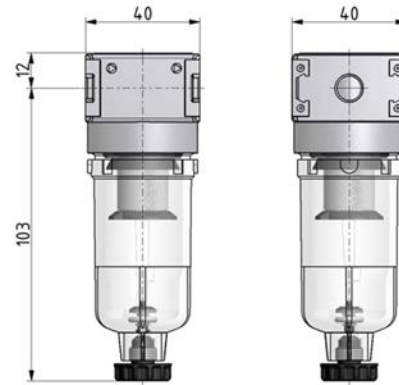
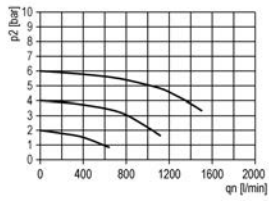
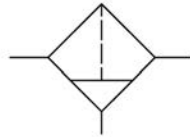


Image shows:  
9.1300.00.000

### flow characteristic



### symbol



### technical data

- **description:** sinter filter centrifugal principle
- **medium:** compressed air, neutral gases
- **supply pressure P1 min.:** 1,5 bar
- **supply pressure P1 max.:** 16 bar
- **temperature range:** -10°C - +60°C
- **bowl:** PC
- **drain:** HA
- **mounting:** vertical
- **filter element:** 5 µm

### accessories



- **coupling kit wall mounting:**  
[ZW.00-1](#)

type	part-number	description
F.00 HA4	9.1300.00.000	Filter G1/8 5µm with PC bowl and semi automatic drain
F.00 B HA4	9.1300.00.001	Filter G1/8 5µm with PC bowl, bowl guard and semi automatic drain
F.00 AM10	9.1300.00.004	Filter G1/8 5µm with PC bowl and automatic drain
F.00 M HA4	9.1300.00.006	Filter G1/8 5µm with metal bowl and semi automatic drain
F.00 M AM10	9.1300.00.007	Filter G1/8 5µm with metal bowl and automatic drain
F.01 HA4	9.1301.00.000	Filter G1/4 5µm with PC bowl and semi automatic drain
F.01 B HA4	9.1301.00.001	Filter G1/4 5µm with PC bowl, bowl guard and semi automatic drain
F.01 AM10	9.1301.00.004	Filter G1/4 5µm with PC bowl and automatic drain
F.01 M HA4	9.1301.00.006	Filter G1/4 5µm with metal bowl and semi automatic drain
F.01 M AM10	9.1301.00.007	Filter G1/4 5µm with metal bowl and automatic drain

Service 3 unit

Service 2 unit

Filter regulator

Filter

Pressure regulator

Lubricator

System extensions

Accessories

Special products

## Filter | BG1



Image shows:  
9.1311.050

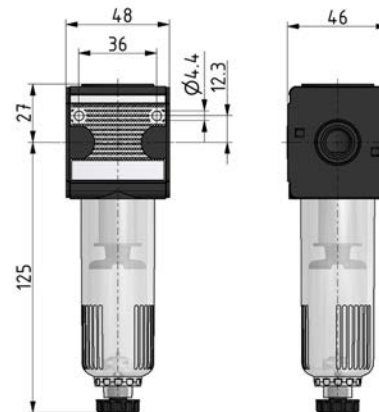
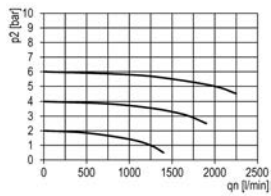
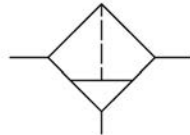


Image shows:  
9.1311.050

## flow characteristic



## symbol



## technical data

- **description:** sinter filter centrifugal principle
- **medium:** compressed air, neutral gases
- **supply pressure P1 min.:** 1,5 bar
- **supply pressure P1 max.:** 16 bar
- **temperature range:** -10°C - +60°C
- **bowl:** PC
- **drain:** HA
- **mounting:** vertical
- **filter element:** 5 µm

## accessories



- **mounting bracket:** [ZW.11-1](#)

type	part-number	description
F.11 HA4	9.1311.050	Filter G1/4 5µm with PC bowl and semi automatic drain
F.11 H HA3	9.1311.053	Filter G1/4 5µm with metal bowl/visual display and semi automatic drain
F.11 HA4 B	9.1311.054	Filter G1/4 5µm with PC bowl, bowl guard and semi automatic drain
F.11 AM10	9.1311.100	Filter G1/4 5µm with PC bowl and automatic drain
F.11 H AM10	9.1311.103	Filter G1/4 5µm with metal bowl/visual display and automatic drain
F.11 AM10 B	9.1311.104	Filter G1/4 5µm with PC bowl, bowl guard and automatic drain
F.12 HA4	9.1312.050	Filter G3/8 5µm with PC bowl and semi automatic drain
F.12 H HA3	9.1312.053	Filter G3/8 5µm with metal bowl/visual display and semi automatic drain
F.12 HA4 B	9.1312.054	Filter G3/8 5µm with PC bowl, bowl guard and semi automatic drain
F.12 AM10	9.1312.100	Filter G3/8 5µm with PC bowl and automatic drain
F.12 H AM10	9.1312.103	Filter G3/8 5µm with metal bowl/visual display and automatic drain
F.12 AM10 B	9.1312.104	Filter G3/8 5µm with PC bowl, bowl guard and automatic drain

Service 3 unit

Service 2 unit

Filter regulator

Filter

Pressure regulator

Lubricator

System extensions

Accessories

Special products



## Filter | BG3



Image shows:  
9.1333.050

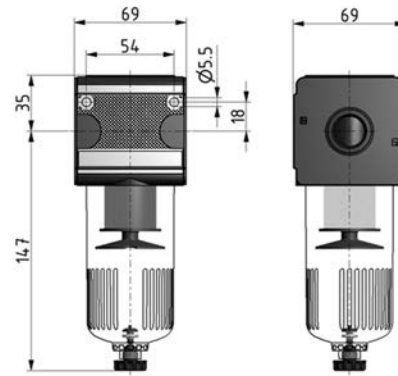
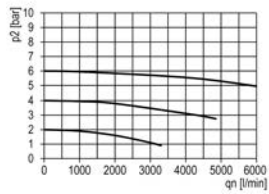
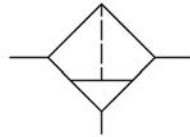


Image shows:  
9.1333.050

## flow characteristic



## symbol



## technical data

- **description:** sinter filter centrifugal principle
- **medium:** compressed air, neutral gases
- **supply pressure P1 min.:** 1,5 bar
- **supply pressure P1 max.:** 16 bar
- **temperature range:** -10°C - +60°C
- **bowl:** PC
- **drain:** HA
- **mounting:** vertical
- **filter element:** 5 µm

## accessories



- **mounting bracket:** [ZW.33-1](#)

type	part-number	description
F.33 HA4	9.1333.050	Filter G1/2 5µm with PC bowl and semi automatic drain
F.33 H HA3	9.1333.053	Filter G1/2 5µm with metal bowl/visual display and semi automatic drain
F.33 HA4 B	9.1333.054	Filter G1/2 5µm with PC bowl, bowl guard and semi automatic drain
F.33 AM10	9.1333.100	Filter G1/2 5µm with PC bowl and automatic drain
F.33 H AM10	9.1333.103	Filter G1/2 5µm with metal bowl/visual display and automatic drain
F.33 AM10 B	9.1333.104	Filter G1/2 5µm with PC bowl, bowl guard and automatic drain
F.34 HA4	9.1334.050	Filter G3/4 5µm with PC bowl and semi automatic drain
F.34 H HA3	9.1334.053	Filter G3/4 5µm with metal bowl/visual display and semi automatic drain
F.34 HA4 B	9.1334.054	Filter G3/4 5µm with PC bowl, bowl guard and semi automatic drain
F.34 AM10	9.1334.100	Filter G3/4 5µm with PC bowl and automatic drain
F.34 H AM10	9.1334.103	Filter G3/4 5µm with metal bowl/visual display and automatic drain
F.34 AM10 B	9.1334.104	Filter G3/4 5µm with PC bowl, bowl guard and automatic drain

Service 3 unit

Service 2 unit

Filter regulator

Filter

Pressure regulator

Lubricator

System extensions

Accessories

Special products

## Filter | BG4



Image shows:  
9.1344.053

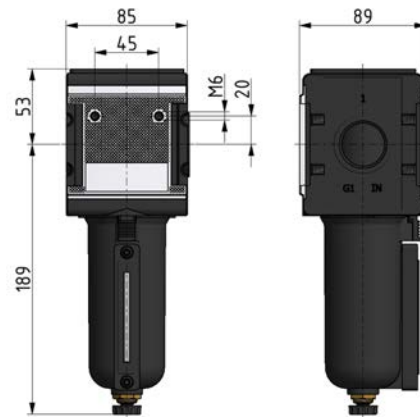
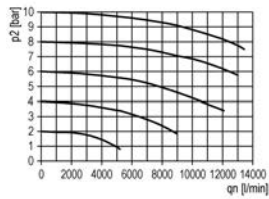
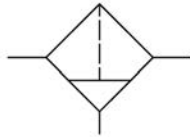


Image shows:  
9.1344.053

### flow characteristic



### symbol



### technical data

- **description:** sinter filter centrifugal principle
- **medium:** compressed air, neutral gases
- **supply pressure P1 min.:** 1,5 bar
- **supply pressure P1 max.:** 16 bar
- **temperature range:** -10°C - +60°C
- **bowl:** metal bowl with level indicator
- **drain:** HA3
- **mounting:** vertical
- **filter element:** 5 µm

### accessories



- **mounting bracket:** [ZW.45](#)

type	part-number	description
F.44 H HA3	9.1344.053	Filter G3/4 5µm with metal bowl/visual display and semi automatic drain
F.44 HA3 B	9.1344.054	Filter G3/4 5µm with PC bowl, bowl guard and semi automatic drain
F.44 H AM10	9.1344.103	Filter G3/4 5µm with metal bowl/visual display and automatic drain
F.44 AM10 B	9.1344.104	Filter G3/4 5µm with PC bowl, bowl guard and automatic drain
F.45 H HA3	9.1345.053	Filter G1 5µm with metal bowl/visual display and semi automatic drain
F.45 HA3 B	9.1345.054	Filter G1 5µm with PC bowl, bowl guard and semi automatic drain
F.45 H AM10	9.1345.103	Filter G1 5µm with metal bowl/visual display and automatic drain
F.45 AM10 B	9.1345.104	Filter G1 5µm with PC bowl, bowl guard and automatic drain

Service 3 unit

Service 2 unit

Filter regulator

Filter

Pressure regulator

Lubricator

System extensions

Accessories

Special products

## Filter | BG5



Image shows:  
9.1354.00.350

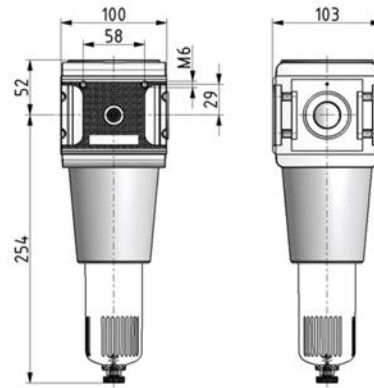
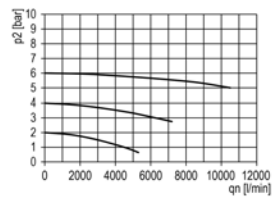
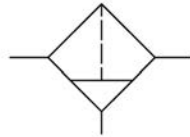


Image shows:  
9.1354.00.350

## flow characteristic



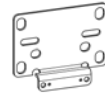
## symbol



## technical data

- **description:** sinter filter centrifugal principle
- **medium:** compressed air, neutral gases
- **supply pressure P1 min.:** 1,5 bar
- **supply pressure P1 max.:** 16 bar
- **temperature range:** -10°C - +60°C
- **bowl:** PC
- **drain:** HA
- **mounting:** vertical
- **filter element:** 40 µm

## accessories



- mounting bracket: [ZW.55](#)

type	part-number	description
F.54 HA4	9.1354.00.350	Filter G3/4 40µm with PC bowl and semi automatic drain
F.54 H HA3	9.1354.00.353	Filter G3/4 40µm with metal bowl/visual display and semi automatic drain
F.54 HA4 B	9.1354.00.354	Filter G3/4 40µm with PC bowl, bowl guard and semi automatic drain
F.54 AM10	9.1354.00.400	Filter G3/4 40µm with PC bowl and automatic drain
F.55 HA4	9.1355.00.350	Filter G1 40µm with PC bowl and semi automatic drain
F.55 H HA3	9.1355.00.353	Filter G1 40µm with metal bowl/visual display and semi automatic drain
F.55 HA4 B	9.1355.00.354	Filter G1 40µm with PC bowl, bowl guard and semi automatic drain
F.55 AM10	9.1355.00.400	Filter G1 40µm with PC bowl and automatic drain
F.55 H AM10	9.1355.00.403	Filter G1 40µm with metal bowl/visual display and automatic drain
F.55 AM10 B	9.1355.00.404	Filter G1 40µm with PC bowl, bowl guard and automatic drain

Service 3 unit

Service 2 unit

Filter regulator

Filter

Pressure regulator

Lubricator

System extensions

Accessories

Special products

## Prefilter | BGO



Image shows:  
9.1300.00.060

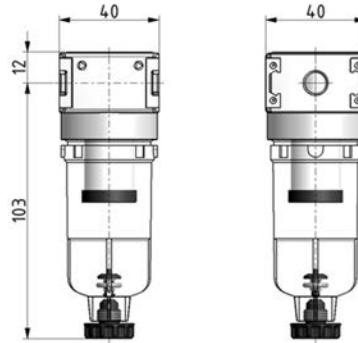
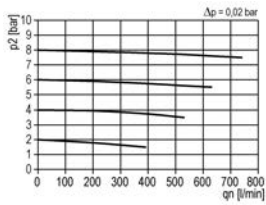
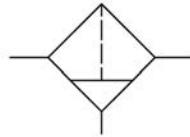


Image shows:  
9.1300.00.060

### flow characteristic



### symbol



### technical data

- **description:** prefilter
- **medium:** compressed air, neutral gases
- **supply pressure P1 min.:** 1,5 bar
- **supply pressure P1 max.:** 16 bar
- **temperature range:** -10°C - +60°C
- **bowl:** PC
- **drain:** HA
- **mounting:** vertical
- **filter element:** 0,3 µm
- **particle separation:** > 0,3 µm 99,999%

### accessories



- **coupling kit wall mounting:**  
[ZW.00-1](#)

type	part-number	description
FV.00 HA4	9.1300.00.060	Prefilter G1/8 0,3µm with PC bowl and semi automatic drain
FV.00 AM10	9.1300.00.062	Prefilter G1/8 0,3µm with PC bowl and automatic drain
FV.00 M HA4	9.1300.00.065	Prefilter G1/8 0,3µm with metal bowl and semi automatic drain
FV.00 M AM10	9.1300.00.066	Prefilter G1/8 0,3µm with metal bowl and automatic drain
FV.01 AM10	9.1301.00.062	Prefilter G1/4 0,3µm with PC bowl and automatic drain
FV.01 M HA4	9.1301.00.065	Prefilter G1/4 0,3µm with metal bowl and semi automatic drain

## Prefilter | BG1



Image shows:  
9.1311.901

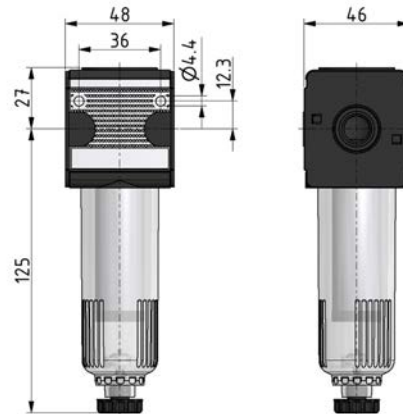
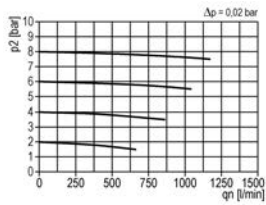
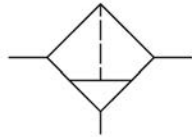


Image shows:  
9.1311.901

### flow characteristic



### symbol



### technical data

- **description:** prefilter
- **medium:** compressed air, neutral gases
- **supply pressure P1 min.:** 1,5 bar
- **supply pressure P1 max.:** 16 bar
- **temperature range:** -10°C - +60°C
- **bowl:** PC
- **drain:** HA
- **mounting:** vertical
- **filter element:** 0,3 μm
- **particle separation:** > 0,3 μm 99,999%

### accessories



- **mounting bracket:** [ZW.11-1](#)

type	part-number	description
FV.11 HA4	9.1311.901	Prefilter G1/4 0,3μm with PC bowl and semi automatic drain
FV.11 AM10	9.1311.902	Prefilter G1/4 0,3μm with PC bowl and automatic drain
FV.11 H HA3	9.1311.916	Prefilter G1/4 0,3μm with metal bowl/visual display and semi automatic drain
FV.11 H AM10	9.1311.917	Prefilter G1/4 0,3μm with metal bowl/visual display and automatic drain

Service 3 unit

Service 2 unit

Filter regulator

Filter

Pressure regulator

Lubricator

System extensions

Accessories

Special products



## Prefilter | BG3



Image shows:  
9.1333.901

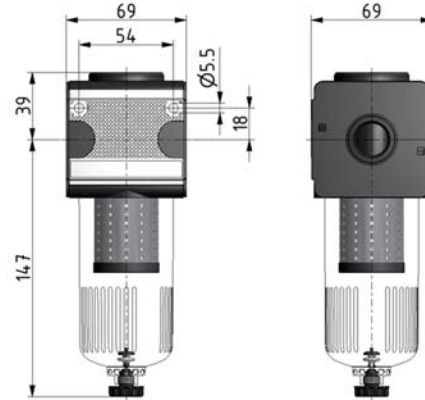
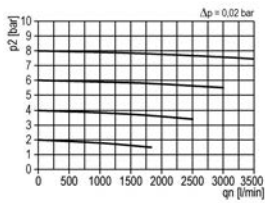
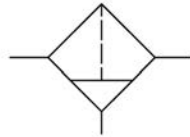


Image shows:  
9.1333.901

### flow characteristic



### symbol



### technical data

- **description:** prefilter
- **medium:** compressed air, neutral gases
- **supply pressure P1 min.:** 1,5 bar
- **supply pressure P1 max.:** 16 bar
- **temperature range:** -10°C - +60°C
- **bowl:** PC
- **drain:** HA
- **mounting:** vertical
- **filter element:** 0,3 µm
- **particle separation:** > 0,3 µm 99,999%

### accessories



- mounting bracket: [ZW.33-1](#)



• differential pressure display

- differential pressure gauge: [DM.2](#)

type	part-number	description
FV.33 HA4	9.1333.901	Prefilter G1/2 0,3µm with PC bowl and semi automatic drain
FV.33 AM10	9.1333.902	Prefilter G1/2 0,3µm with PC bowl and automatic drain
FV.33 HA4 B	9.1333.904	Prefilter G1/2 0,3µm with PC bowl, bowl guard and semi automatic drain
FV.33 H HA3	9.1333.916	Prefilter G1/2 0,3µm with metal bowl/visual display and semi automatic drain
FV.33 H AM10	9.1333.917	Prefilter G1/2 0,3µm with metal bowl/visual display and automatic drain

## Prefilter | BG3

Service 3 unit

Service 2 unit



Image shows:  
9.1333.914

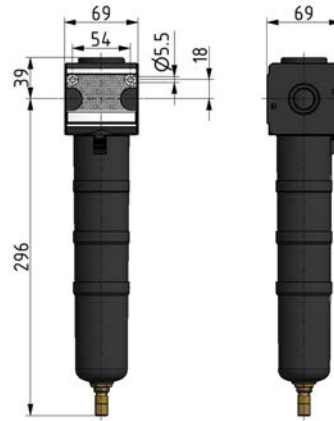
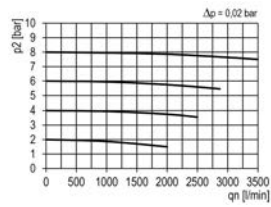


Image shows:  
9.1333.914

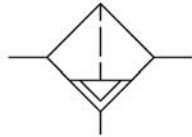
Filter regulator

Filter

### flow characteristic



### symbol



Pressure regulator

Lubricator

System extensions

### technical data

- **description:** prefilter
- **medium:** compressed air, neutral gases
- **supply pressure P1 min.:** 1,5 bar
- **supply pressure P1 max.:** 16 bar
- **temperature range:** -10°C - +60°C
- **bowl:** metal bowl
- **drain:** AM NO
- **mounting:** vertical
- **filter element:** 0,3 μm
- **particle separation:** > 0,3 μm 99,999%

### accessories



- mounting bracket: [ZW.33-1](#)



- differential pressure display
- differential pressure gauge: [DM.2](#)

Accessories

type	part-number	description
FV.33 M AM10	9.1333.914	Prefilter G1/2 0,3μm with metal bowl and automatic drain

Special products

## Prefilter | BG4



Image shows:  
9.1344.904

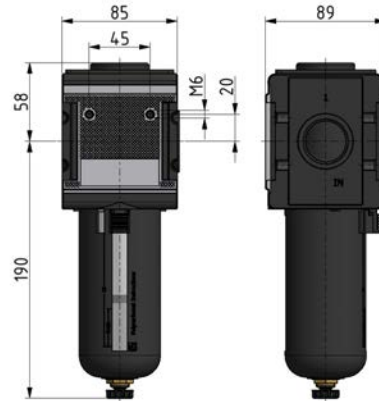
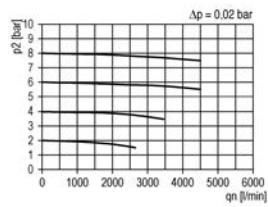
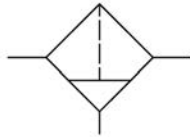


Image shows:  
9.1344.904

### flow characteristic



### symbol



### technical data

- **description:** prefilter
- **medium:** compressed air, neutral gases
- **supply pressure P1 min.:** 1,5 bar
- **supply pressure P1 max.:** 16 bar
- **temperature range:** -10°C - +60°C
- **bowl:** PC with PA bowl guard
- **drain:** HA3
- **mounting:** vertical
- **filter element:** 0,3 µm
- **particle separation:** > 0,3 µm 99,999%

### accessories



- mounting bracket: [ZW.45](#)



- differential pressure display



- differential pressure gauge: [DM.2](#)

Service 3 unit

Service 2 unit

Filter regulator

Filter

Pressure regulator

Lubricator

System extensions

Accessories

Special products

type	part-number	description
FV.44 HA3 B	9.1344.904	Prefilter G3/4 0,3µm with PC bowl, bowl guard and semi automatic drain
FV.44 AM10 B	9.1344.905	Prefilter G3/4 0,3µm with PC bowl, bowl guard and automatic drain
FV.44 H HA3	9.1344.916	Prefilter G3/4 0,3µm with metal bowl/visual display and semi automatic drain
FV.44 H AM10	9.1344.917	Prefilter G3/4 0,3µm with metal bowl/visual display and automatic drain
FV.45 HA3 B	9.1345.904	Prefilter G1 0,3µm with PC bowl, bowl guard and semi automatic drain
FV.45 AM10 B	9.1345.905	Prefilter G1 0,3µm with PC bowl, bowl guard and automatic drain
FV.45 H HA3	9.1345.916	Prefilter G1 0,3µm with metal bowl/visual display and semi automatic drain
FV.45 H AM10	9.1345.917	Prefilter G1 0,3µm with metal bowl/visual display and automatic drain

Service 3 unit

Service 2 unit

Filter regulator

**Filter**

Pressure regulator

Lubricator

System extensions

Accessories

Special products

# Prefilter | BG5



Image shows:  
9.1354.00.914

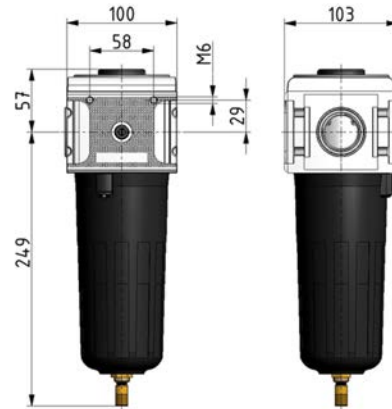
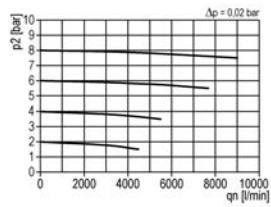
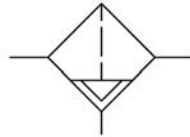


Image shows:  
9.1354.00.914

### flow characteristic



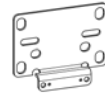
### symbol



### technical data

- **description:** prefilter
- **medium:** compressed air, neutral gases
- **supply pressure P1 min.:** 1,5 bar
- **supply pressure P1 max.:** 16 bar
- **temperature range:** -10°C - +60°C
- **bowl:** metal bowl
- **drain:** AM NO
- **mounting:** vertical
- **filter element:** 0,3 µm
- **particle separation:** > 0,3 µm 99,999%

### accessories



- mounting bracket: [ZW.55](#)

- differential pressure display



- differential pressure gauge: [DM.2](#)

type	part-number	description
FV.54 M AM10	9.1354.00.914	Prefilter G3/4 0,3µm with metal bowl and automatic drain

Service 3 unit

Service 2 unit

Filter regulator

**Filter**

Pressure regulator

Lubricator

System extensions

Accessories

Special products

## Prefilter | BG5



Image shows:  
9.1355.00.914

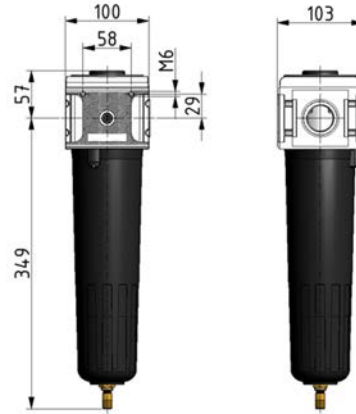
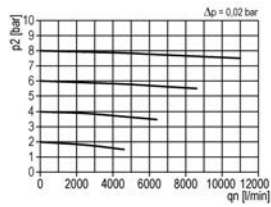
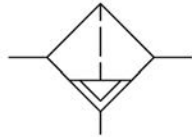


Image shows:  
9.1355.00.914

### flow characteristic



### symbol



### technical data

- **description:** prefilter
- **medium:** compressed air, neutral gases
- **supply pressure P1 min.:** 1,5 bar
- **supply pressure P1 max.:** 16 bar
- **temperature range:** -10°C - +60°C
- **bowl:** metal bowl
- **drain:** AM NO
- **mounting:** vertical
- **filter element:** 0,3 μm
- **particle separation:** > 0,3 μm 99,999%

### accessories



- mounting bracket: [ZW.55](#)



- differential pressure display
- differential pressure gauge: [DM.2](#)

### type

FV.55 M AM10

### part-number

9.1355.00.914

### description

Prefilter G1 0,3μm with metal bowl and automatic drain

Service 3 unit

Service 2 unit

Filter regulator

Filter

Pressure regulator

Lubricator

System extensions

Accessories

Special products

## Finefilter | BGO



Image shows:  
9.1300.00.050

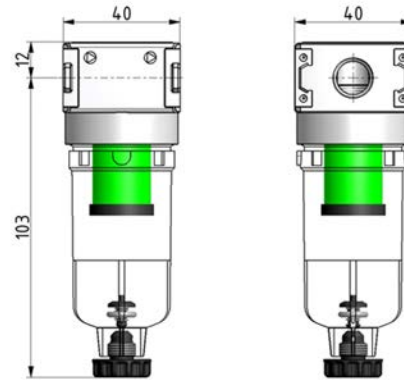
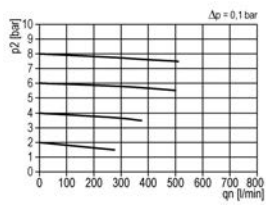
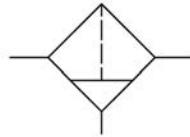


Image shows:  
9.1300.00.050

### flow characteristic



### symbol



### technical data

- **description:** finefilter
- **medium:** compressed air, neutral gases
- **supply pressure P1 min.:** 1,5 bar
- **supply pressure P1 max.:** 16 bar
- **temperature range:** -10°C - +60°C
- **bowl:** PC
- **drain:** HA
- **mounting:** vertical
- **filter element:** 0,01 μm
- **particle separation:** > 0,01 μm 99,999%
- **residual oil concent:** 0,01 mg/m<sup>3</sup>

### accessories



- **coupling kit wall mounting:**  
[ZW.00-1](#)

type	part-number	description
FX.00 HA4	9.1300.00.050	Finefilter G1/8 0,01µm (element X23/35) with PC bowl and semi automatic drain
FX.00 AM10	9.1300.00.054	Finefilter G1/8 0,01µm (element X23/40) with PC bowl and automatic drain
FX.00 M HA4	9.1300.00.055	Finefilter G1/8 0,01µm (element X23/40) with metal bowl and semi automatic drain
FX.00 M AM10	9.1300.00.056	Finefilter G1/8 0,01µm (element X23/35) with metal bowl and automatic drain
FX.01 HA4 B	9.1301.00.051	Finefilter G1/4 0,01µm (element X23/40) with PC bowl, bowl guard and semi automatic drain
FX.01 AM10	9.1301.00.054	Finefilter G1/4 0,01µm (element X23/40) with PC bowl and automatic drain
FX.01 M HA4	9.1301.00.055	Finefilter G1/4 0,01µm (element X23/35) with metal bowl and semi automatic drain

Service 3 unit

Service 2 unit

Filter regulator

Filter

Pressure regulator

Lubricator

System extensions

Accessories

Special products



## Finefilter | BGO



Image shows:  
9.1301.00.058

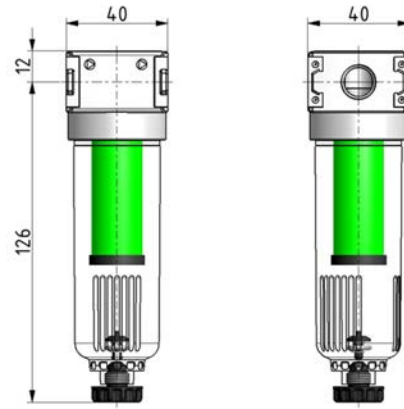
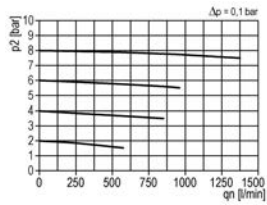
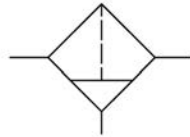


Image shows:  
9.1301.00.058

### flow characteristic



### symbol



### technical data

- **description:** finefilter
- **medium:** compressed air, neutral gases
- **supply pressure P1 min.:** 1,5 bar
- **supply pressure P1 max.:** 16 bar
- **temperature range:** -10°C - +60°C
- **bowl:** PC
- **drain:** HA
- **mounting:** vertical
- **filter element:** 0,01 μm
- **particle separation:** > 0,01 μm 99,999%
- **residual oil concent:** 0,01 mg/m<sup>3</sup>

### accessories



- **coupling kit wall mounting:**  
[ZW.00-1](#)

### type

FX.01 HA4

### part-number

9.1301.00.058

### description

Finefilter G1/4 0,01μm (element X23/60) with PC bowl and semi automatic drain

## Finefilter | BG1



Image shows:  
9.1311.931

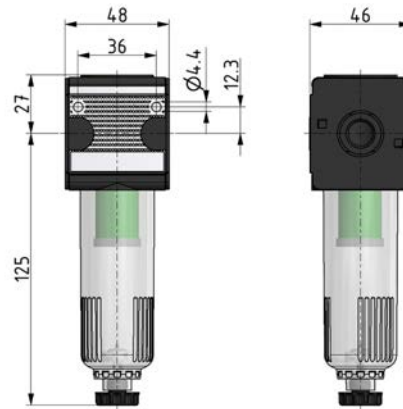
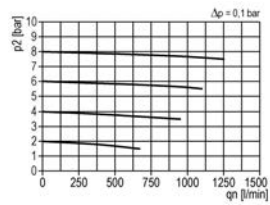
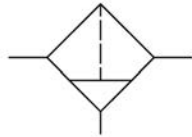


Image shows:  
9.1311.931

### flow characteristic



### symbol



### technical data

- **description:** finefilter
- **medium:** compressed air, neutral gases
- **supply pressure P1 min.:** 1,5 bar
- **supply pressure P1 max.:** 16 bar
- **temperature range:** -10°C - +60°C
- **bowl:** PC
- **drain:** HA
- **mounting:** vertical
- **filter element:** 0,01 µm
- **particle separation:** > 0,01 µm 99,999%
- **residual oil concent:** 0,01 mg/m<sup>3</sup>

### accessories



- **mounting bracket:** [ZW.11-1](#)

type	part-number	description
FX.11 HA4	9.1311.931	Finefilter G1/4 0,01µm with PC bowl and semi automatic drain
FX.11 AM10	9.1311.932	Finefilter G1/4 0,01µm with PC bowl and automatic drain
FX.11 HA4 B	9.1311.934	Finefilter G1/4 0,01µm with PC bowl, bowl guard and semi automatic drain
FX.11 AM10 B	9.1311.935	Finefilter G1/4 0,01µm with PC bowl, bowl guard and automatic drain
FX.11 H HA3	9.1311.961	Finefilter G1/4 0,01µm with metal bowl/visual display and semi automatic drain
FX.11 H AM10	9.1311.962	Finefilter G1/4 0,01µm (element X23/35) with metal bowl/visual display and automatic drain

Service 3 unit

Service 2 unit

Filter regulator

Filter

Pressure regulator

Lubricator

System extensions

Accessories

Special products

## Finefilter | BG3



Image shows:  
9.1333.931

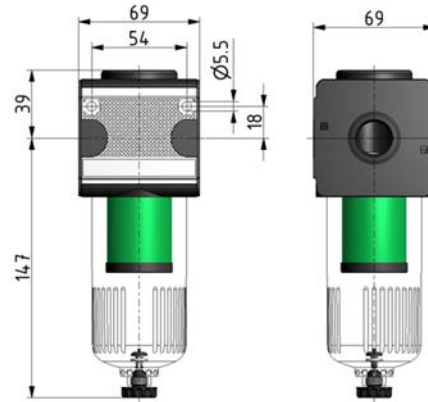
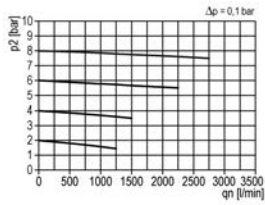
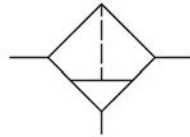


Image shows:  
9.1333.931

### flow characteristic



### symbol



### technical data

- **description:** finefilter
- **medium:** compressed air, neutral gases
- **supply pressure P1 min.:** 1,5 bar
- **supply pressure P1 max.:** 16 bar
- **temperature range:** -10°C - +60°C
- **bowl:** PC
- **drain:** HA
- **mounting:** vertical
- **filter element:** 0,01 µm
- **particle separation:** > 0,01 µm 99,999%
- **residual oil concent:** 0,01 mg/m<sup>3</sup>

### accessories



- mounting bracket: [ZW.33-1](#)

• differential pressure display



- differential pressure gauge: [DM 2](#)

type	part-number	description
FX.33 HA4	9.1333.931	Finefilter G1/2 0,01µm with PC bowl and semi automatic drain
FX.33 AM10	9.1333.932	Finefilter G1/2 0,01µm with PC bowl and automatic drain
FX.33 HA4 B	9.1333.934	Finefilter G1/2 0,01µm with PC bowl, bowl guard and semi automatic drain
FX.33 AM10 B	9.1333.935	Finefilter G1/2 0,01µm with PC bowl, bowl guard and automatic drain
FX.33 H HA3	9.1333.961	Finefilter G1/2 0,01µm with metal bowl/visual display and semi automatic drain
FX.33 H AM10	9.1333.962	Finefilter G1/2 0,01µm with metal bowl/visual display and automatic drain

## Finefilter | BG3

Service 3 unit

Service 2 unit



Image shows:  
9.1333.952

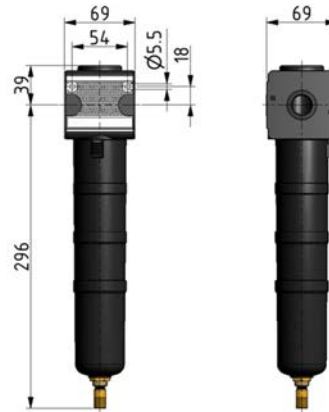
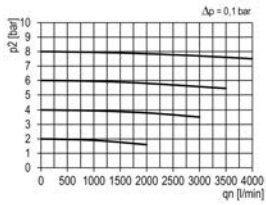


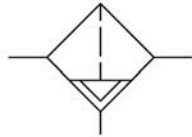
Image shows:  
9.1333.952

Filter regulator

### flow characteristic



### symbol



Filter

### technical data

- **description:** finefilter
- **medium:** compressed air, neutral gases
- **supply pressure P1 min.:** 1,5 bar
- **supply pressure P1 max.:** 16 bar
- **temperature range:** -10°C - +60°C
- **bowl:** metal bowl
- **drain:** AM NO
- **mounting:** vertical
- **filter element:** 0,01 µm
- **particle separation:** > 0,01 µm 99,999%
- **residual oil concent:** 0,01 mg/m<sup>3</sup>

### accessories



- mounting bracket: [ZW.33-1](#)



- differential pressure display
- differential pressure gauge: [DM.2](#)

Pressure regulator

Lubricator

System extensions

Accessories

type	part-number	description
FX.33 M AM10	9.1333.952	Finefilter G1/2 0,01µm with metal bowl and automatic drain

Special products

## Finefilter | BG4



Image shows:  
9.1344.934

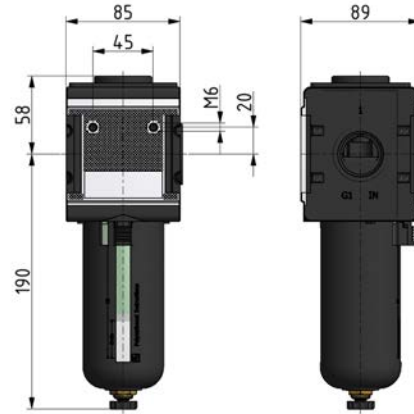
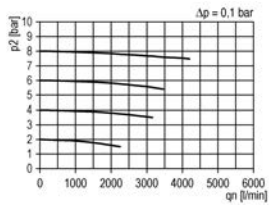
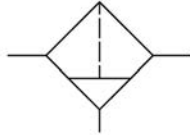


Image shows:  
9.1344.934

### flow characteristic



### symbol



### technical data

- **description:** finefilter
- **medium:** compressed air, neutral gases
- **supply pressure P1 min.:** 1,5 bar
- **supply pressure P1 max.:** 16 bar
- **temperature range:** -10°C - +60°C
- **bowl:** PC with PA bowl guard
- **drain:** HA3
- **mounting:** vertical
- **filter element:** 0,01 μm
- **particle separation:** > 0,01 μm 99,999%
- **residual oil concent:** 0,01 mg/m<sup>3</sup>

### accessories



- mounting bracket: [ZW.45](#)



- differential pressure display

- differential pressure gauge: [DM.2](#)

type	part-number	description
FX.44 HA3 B	9.1344.934	Finefilter G3/4 0,01µm with PC bowl, bowl guard and semi automatic drain
FX.44 AM10 B	9.1344.935	Finefilter G3/4 0,01µm with PC bowl, bowl guard and automatic drain
FX.44 H HA3	9.1344.961	Finefilter G3/4 0,01µm with metal bowl/visual display and semi automatic drain
FX.44 H AM10	9.1344.962	Finefilter G3/4 0,01µm with metal bowl/visual display and automatic drain
FX.45 HA3 B	9.1345.934	Finefilter G1 0,01µm with PC bowl, bowl guard and semi automatic drain
FX.45 AM10 B	9.1345.935	Finefilter G1 0,01µm with PC bowl, bowl guard and automatic drain
FX.45 H HA3	9.1345.961	Finefilter G1 0,01µm with metal bowl/visual display and semi automatic drain
FX.45 H AM10	9.1345.962	Finefilter G1 0,01µm with metal bowl/visual display and automatic drain

Service 3 unit

Service 2 unit

Filter regulator

Filter

Pressure regulator

Lubricator

System extensions

Accessories

Special products

## Finefilter | BG5



Image shows:  
9.1354.00.952

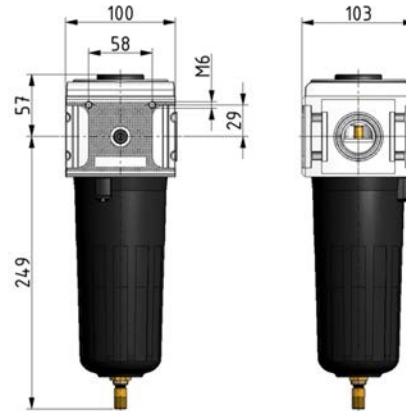
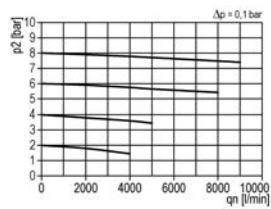
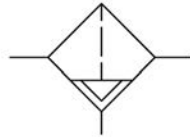


Image shows:  
9.1354.00.952

### flow characteristic



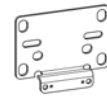
### symbol



### technical data

- **description:** finefilter
- **medium:** compressed air, neutral gases
- **supply pressure P1 min.:** 1,5 bar
- **supply pressure P1 max.:** 16 bar
- **temperature range:** -10°C - +60°C
- **bowl:** metal bowl
- **drain:** AM NO
- **mounting:** vertical
- **filter element:** 0,01 μm
- **particle separation:** > 0,01 μm 99,999%
- **residual oil concent:** 0,01 mg/m<sup>3</sup>

### accessories



- mounting bracket: [ZW.55](#)

- differential pressure display



- differential pressure gauge: [DM.2](#)

### type

FX.54 M AM10

### part-number

9.1354.00.952

### description

Finefilter G3/4 0,01μm with metal bowl and automatic drain

Service 3 unit

Service 2 unit

Filter regulator

**Filter**

Pressure regulator

Lubricator

System extensions

Accessories

Special products

## Finefilter | BG5



Image shows:  
9.1355.00.952

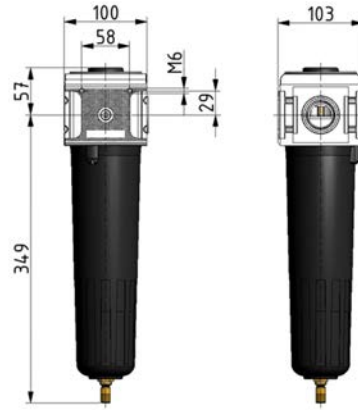
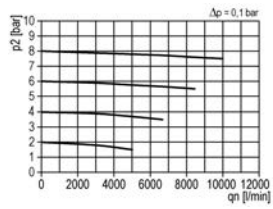
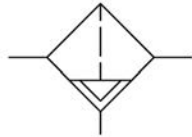


Image shows:  
9.1355.00.952

### flow characteristic



### symbol



### technical data

- **description:** finefilter
- **medium:** compressed air, neutral gases
- **supply pressure P1 min.:** 1,5 bar
- **supply pressure P1 max.:** 16 bar
- **temperature range:** -10°C - +60°C
- **bowl:** metal bowl
- **drain:** AM NO
- **mounting:** vertical
- **filter element:** 0,01 µm
- **particle separation:** > 0,01 µm 99,999%
- **residual oil concent:** 0,01 mg/m<sup>3</sup>

### accessories



- mounting bracket: [ZW.55](#)



- differential pressure display
- differential pressure gauge: [DM.2](#)

### type

FX.55 M AM10

### part-number

9.1355.00.952

### description

Finefilter G1 0,01µm with metal bowl and automatic drain

Service 3 unit

Service 2 unit

Filter regulator

Filter

Pressure regulator

Lubricator

System extensions

Accessories

Special products



## Active carbon filter | BGO



Image shows:  
9.1300.00.070

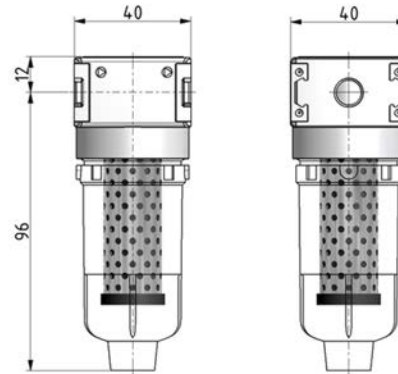
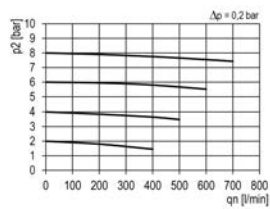
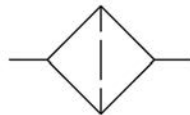


Image shows:  
9.1300.00.070

### flow characteristic



### symbol



### technical data

- **description:** active carbon filter
- **medium:** compressed air, neutral gases
- **supply pressure P1 min.:** 0 bar
- **supply pressure P1 max.:** 16 bar
- **temperature range:** -10°C - +60°C
- **bowl:** PC
- **mounting:** vertical
- **residual oil concent:** 0,005 mg/m<sup>3</sup>

### accessories



- **coupling kit wall mounting:**  
[ZW.00-1](#)

type	part-number	description
FA.00	9.1300.00.070	Activated carbon filter G1/8 (element A 23/60) with PC bowl
FA.00 M	9.1300.00.071	Activated carbon filter G1/8 (element A 23/60) with metal bowl
FA.01 M	9.1301.00.071	Activated carbon filter G1/4 (element A 23/60) with metal bowl
FA.01 B	9.1301.00.072	Activated carbon filter G1/4 (element A 23/60) with PC bowl and bowl guard

## Active carbon filter | BGO



Image shows:  
9.1301.00.070

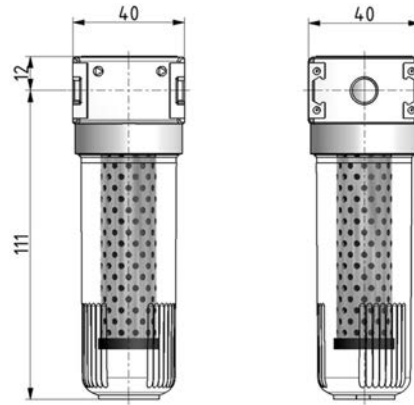
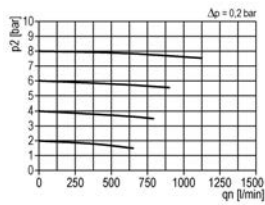
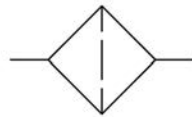


Image shows:  
9.1301.00.070

### flow characteristic



### symbol



### technical data

- **description:** active carbon filter
- **medium:** compressed air, neutral gases
- **supply pressure P1 min.:** 0 bar
- **supply pressure P1 max.:** 16 bar
- **temperature range:** -10°C - +60°C
- **medium:** PC
- **mounting:** vertical
- **residual oil concent:** 0,005 mg/m<sup>3</sup>

### accessories



- **coupling kit wall mounting:**  
[ZW.00-1](#)

type	part-number	description
FA.01	9.1301.00.070	Activated carbon filter G1/4 (element A 23/80) with PC bowl

Service 3 unit

Service 2 unit

Filter regulator

Filter

Pressure regulator

Lubricator

System extensions

Accessories

Special products

## Active carbon filter | BG1



Image shows:  
9.1311.970

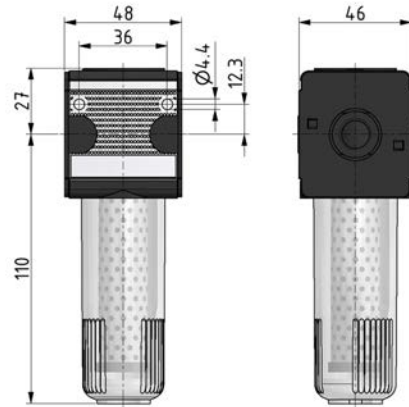
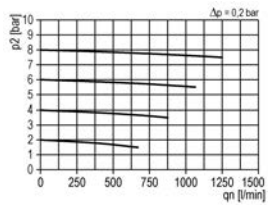
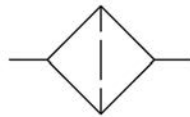


Image shows:  
9.1311.970

### flow characteristic



### symbol



### technical data

- **description:** active carbon filter
- **medium:** compressed air, neutral gases
- **supply pressure P1 min.:** 0 bar
- **supply pressure P1 max.:** 16 bar
- **temperature range:** -10°C - +60°C
- **bowl:** PC
- **mounting:** vertical
- **residual oil concent:** 0,005 mg/m<sup>3</sup>

### accessories



- **mounting bracket:** [ZW.11-1](#)

type	part-number	description
FA.11	9.1311.970	Activated carbon filter G1/4 with PC bowl
FA.11 M	9.1311.975	Activated carbon filter G1/4 with metal bowl

## Active carbon filter | BG3



Image shows:  
9.1333.970

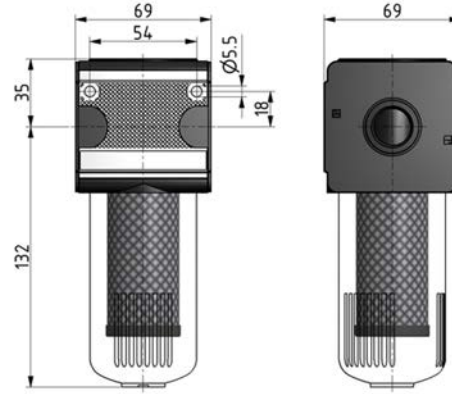
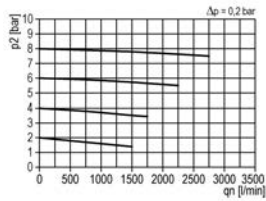
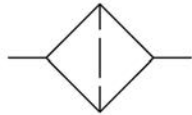


Image shows:  
9.1333.970

### flow characteristic



### symbol



### technical data

- **description:** active carbon filter
- **medium:** compressed air, neutral gases
- **supply pressure P1 min.:** 0 bar
- **supply pressure P1 max.:** 16 bar
- **temperature range:** -10°C - +60°C
- **bowl:** PC
- **mounting:** vertical
- **residual oil concent:** 0,005 mg/m<sup>3</sup>

### accessories



- **mounting bracket:** [ZW.33-1](#)

type	part-number	description
FA.33	9.1333.970	Activated carbon filter G1/2 with PC bowl
FA.33 B	9.1333.971	Activated carbon filter G1/2 with PC bowl and bowl guard

Service 3 unit

Service 2 unit

Filter regulator

Filter

Pressure regulator

Lubricator

System extensions

Accessories

Special products

## Active carbon filter | BG3



Image shows:  
9.1333.974

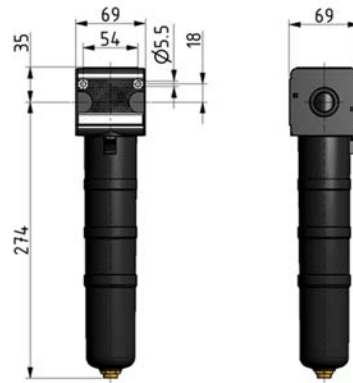
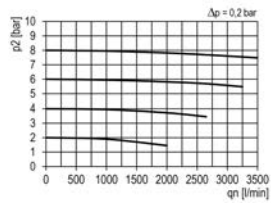
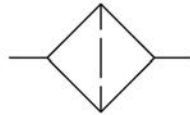


Image shows:  
9.1333.974

### flow characteristic



### symbol



### technical data

- **description:** active carbon filter
- **medium:** compressed air, neutral gases
- **supply pressure P1 min.:** 0 bar
- **supply pressure P1 max.:** 20 bar
- **temperature range:** -10°C - +60°C
- **bowl:** metal bowl
- **mounting:** vertical
- **residual oil concent:** 0,005 mg/m<sup>3</sup>

### accessories



- **mounting bracket:** [ZW.33-1](#)

### type

FA.33 M

### part-number

9.1333.974

### description

Activated carbon filter G1/2 with metal bowl

Service 3 unit

Service 2 unit

Filter regulator

**Filter**

Pressure regulator

Lubricator

System extensions

Accessories

Special products

## Active carbon filter | BG4



Image shows:  
9.1344.971

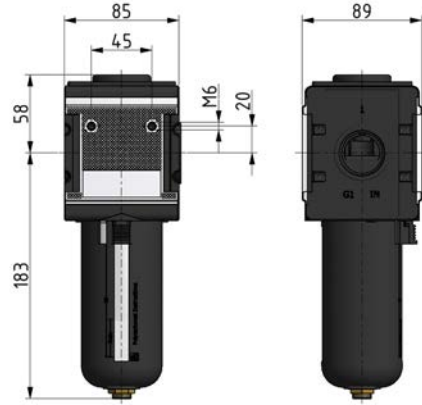
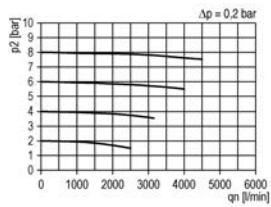
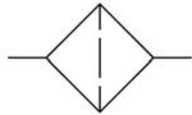


Image shows:  
9.1344.971

### flow characteristic



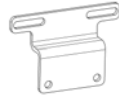
### symbol



### technical data

- **description:** active carbon filter
- **medium:** compressed air, neutral gases
- **supply pressure P1 min.:** 0 bar
- **supply pressure P1 max.:** 16 bar
- **temperature range:** -10°C - +60°C
- **bowl:** PC with PA bowl guard
- **mounting:** vertical
- **residual oil concent:** 0,005 mg/m<sup>3</sup>

### accessories



- **mounting bracket:** [ZW.45](#)

type	part-number	description
FA.44 B	9.1344.971	Activated carbon filter G3/4 with PC bowl and bowl guard
FA.45 B	9.1345.971	Activated carbon filter G1 with PC bowl and bowl guard

Service 3 unit

Service 2 unit

Filter regulator

Filter

Pressure regulator

Lubricator

System extensions

Accessories

Special products

## Active carbon filter | BG5



Image shows:  
9.1354.00.974

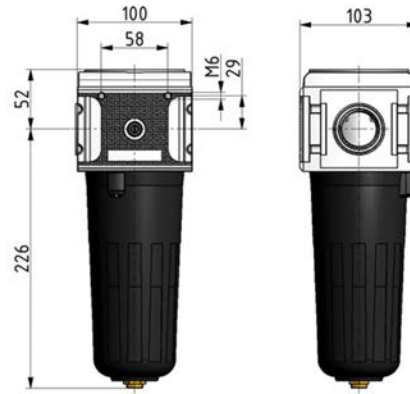
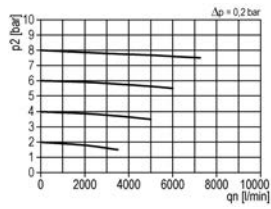
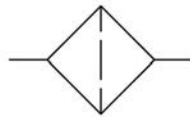


Image shows:  
9.1354.00.974

### flow characteristic



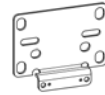
### symbol



### technical data

- **description:** active carbon filter
- **medium:** compressed air, neutral gases
- **supply pressure P1 min.:** 0 bar
- **supply pressure P1 max.:** 20 bar
- **temperature range:** -10°C - +60°C
- **bowl:** metal bowl
- **mounting:** vertical
- **residual oil concent:** 0,005 mg/m<sup>3</sup>

### accessories



- mounting bracket: [ZW.55](#)

### type

FA.54 M

### part-number

9.1354.00.974

### description

Activated carbon filter G3/4 with metal bowl

## Active carbon filter | BG5



Image shows:  
9.1355.00.974

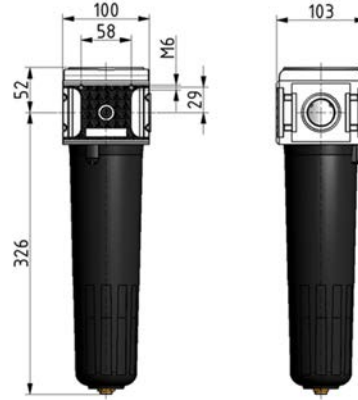
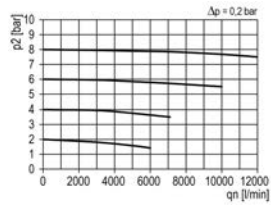
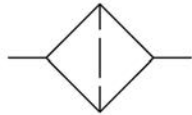


Image shows:  
9.1355.00.974

### flow characteristic



### symbol



### technical data

- **description:** active carbon filter
- **medium:** compressed air, neutral gases
- **supply pressure P1 min.:** 0 bar
- **supply pressure P1 max.:** 20 bar
- **temperature range:** -10°C - +60°C
- **bowl:** metal bowl
- **mounting:** vertical
- **residual oil concent:** 0,005 mg/m<sup>3</sup>

### accessories



- **mounting bracket:** [ZW.55](#)

### type

FA.55 M

### part-number

9.1355.00.974

### description

Activated carbon filter G1 with metal bowl

Service 3 unit

Service 2 unit

Filter regulator

Filter

Pressure regulator

Lubricator

System extensions

Accessories

Special products



# Pressure regulator | BGO



Image shows:  
9.1700.00.600

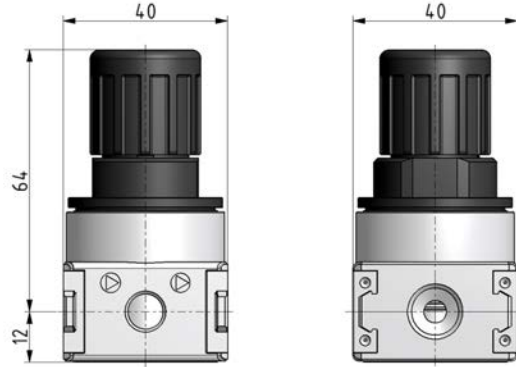
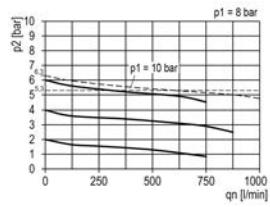
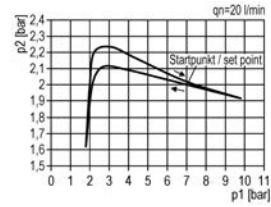


Image shows:  
9.1700.00.600

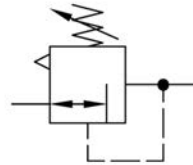
### flow characteristic



### pressure characteristic



### symbol



### technical data

- **description:** air line regulator with diaphragm and relieving feature
- **medium:** compressed air, neutral gases
- **supply pressure P1 max.:** 16 bar
- **temperature range:** -10°C - +60°C

### accessories



- coupling kit wall mounting:  
[ZW.00-1](#)



- control panel mounting:  
[MW.30/DR.00-34-2](#)

- lockable setting knob possible

type	part-number	description
RE.00	9.1700.00.600	Pressure regulator G1/8 0,5-10
RE.01	9.1701.00.600	Pressure regulator G1/4 0,5-10

Service 3 unit

Service 2 unit

Filter regulator

Filter

Pressure regulator

Lubricator

System extensions

Accessories

Special products

## Pressure regulator | BGO



Image shows:  
9.1700.00.000

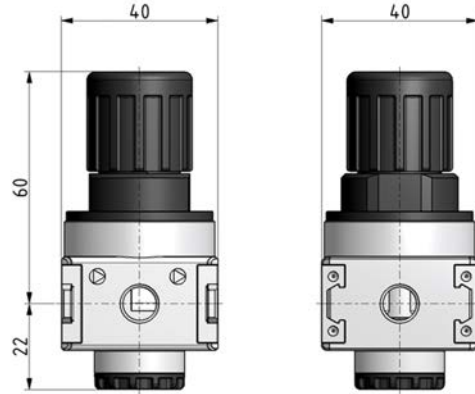
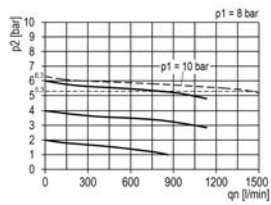
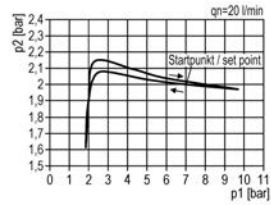


Image shows:  
9.1700.00.000

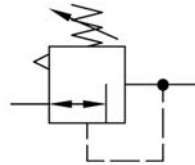
### flow characteristic



### pressure characteristic



### symbol



### technical data

- **description:** air line regulator with diaphragm and relieving feature
- **medium:** compressed air, neutral gases
- **supply pressure P1 max.:** 16 bar
- **temperature range:** -10°C - +60°C

### accessories



- coupling kit wall mounting:  
[ZW.00-1](#)



- control panel mounting:  
[MW.30/DR.00-34-2](#)

- lockable setting knob possible

type	part-number	description
R.00	9.1700.00.000	Pressure regulator G1/8 0,5-10
R.01	9.1701.00.000	Pressure regulator G1/4 0,5-10

Service 3 unit

Service 2 unit

Filter regulator

Filter

Pressure regulator

Lubricator

System extensions

Accessories

Special products

## Pressure regulator | BG1



Image shows:  
9.1711.000

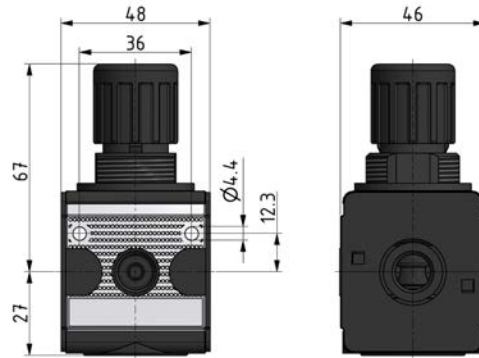
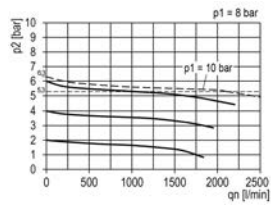
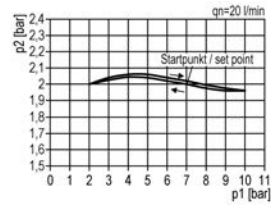


Image shows:  
9.1711.000

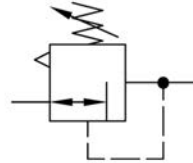
### flow characteristic



### pressure characteristic



### symbol



### technical data

- **description:** air line regulator with diaphragm and relieving feature
- **medium:** compressed air, neutral gases
- **supply pressure P1 max.:** 16 bar
- **temperature range:** -10°C - +60°C

### accessories



- mounting bracket: [ZW.11-1](#)



- control panel mounting: [MW.30/DR.00-34-2](#)

- lockable setting knob possible

type	part-number	description
R.11	9.1711.000	Pressure regulator G1/4 0,5-10
R.12	9.1712.000	Pressure regulator G3/8 0,5-10

## Pressure regulator | BG3



Image shows:  
9.1733.000

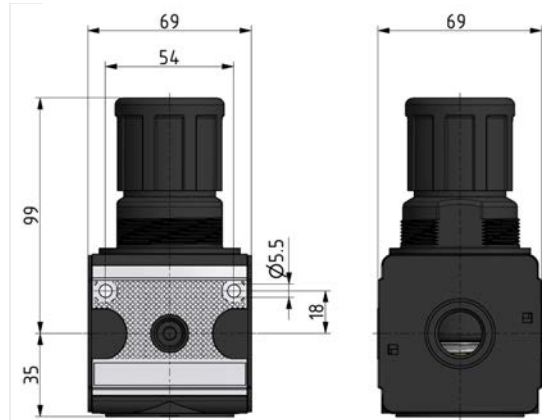
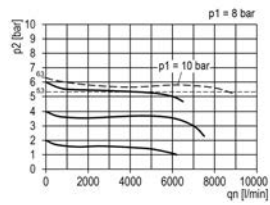
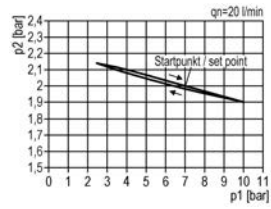


Image shows:  
9.1733.000

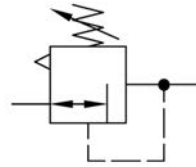
### flow characteristic



### pressure characteristic



### symbol



### technical data

- **description:** air line regulator with diaphragm and relieving feature
- **medium:** compressed air, neutral gases
- **supply pressure  $P_1$  max.:** 16 bar
- **temperature range:**  $-10^\circ\text{C}$  -  $+60^\circ\text{C}$

### accessories



- mounting bracket: [ZW.33-1](#)



- control panel mounting: [MW.50/C.33-42](#)

- lockable setting knob possible

type	part-number	description
R.33	9.1733.000	Pressure regulator G1/2 0,5-10
R.34	9.1734.000	Pressure regulator G3/4 0,5-10

Service 3 unit

Service 2 unit

Filter regulator

Filter

Pressure regulator

Lubricator

System extensions

Accessories

Special products

## Pressure regulator | BG4



Image shows:  
9.1744.000

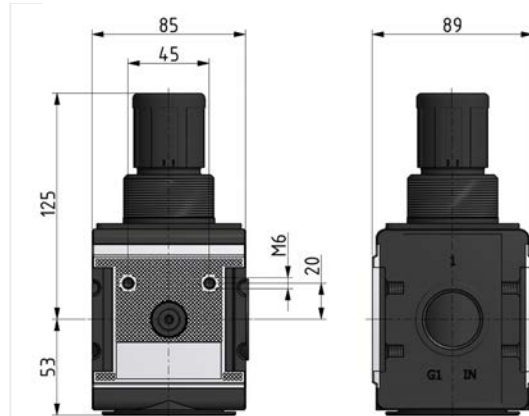
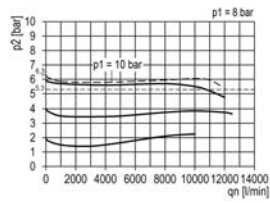
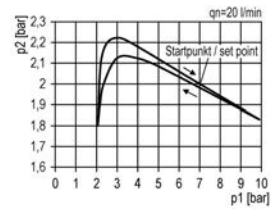


Image shows:  
9.1744.000

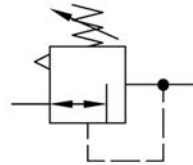
### flow characteristic



### pressure characteristic



### symbol



### technical data

- **description:** air line regulator with diaphragm and relieving feature, pilot operated
- **medium:** compressed air, neutral gases
- **supply pressure P1 max.:** 16 bar
- **temperature range:** -10°C - +60°C
- **air consumption:** max. 1,5 l/min

### accessories



- mounting bracket: [ZW.45](#)

type	part-number	description
R.44	9.1744.000	Pressure regulator G3/4 0,5-10
R.44 G	9.1744.002	Pressure regulator G3/4 0,5-10 with gauge G 63.16 R
R.45	9.1745.000	Pressure regulator G1 0,5-10
R.45 G	9.1745.002	Pressure regulator G1 0,5-10 with gauge G 63.16 R

# Pressure regulator | BG5



Image shows:  
9.1754.00.000

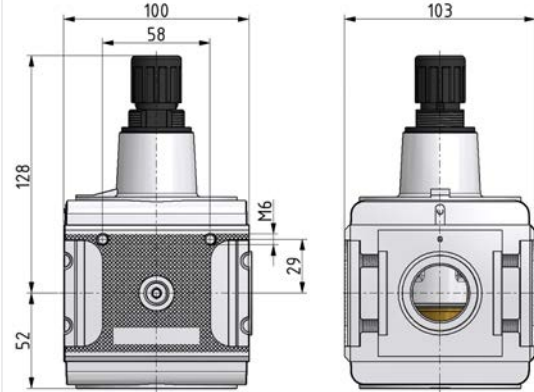
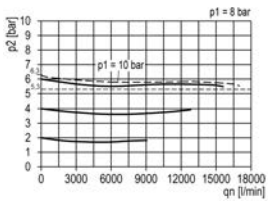
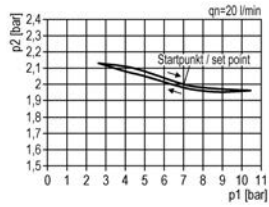


Image shows:  
9.1754.00.000

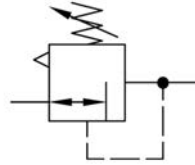
### flow characteristic



### pressure characteristic



### symbol



### technical data

- **description:** air line regulator with diaphragm and relieving feature, pilot operated
- **medium:** compressed air, neutral gases
- **supply pressure P1 max.:** 16 bar
- **temperature range:** -10°C - +60°C
- **air consumption:** max. 0,5 l/min

### accessories



- mounting bracket: [ZW.55](#)
- lockable setting knob possible

type	part-number	description
R.54	9.1754.00.000	Pressure regulator G3/4 0,5-10
R.55	9.1755.00.000	Pressure regulator G1 0,5-10

Service 3 unit

Service 2 unit

Filter regulator

Filter

Pressure regulator

Lubricator

System extensions

Accessories

Special products

# Pressure regulator pneumatic pilot operated | BG1



Image shows:  
9.1711.550

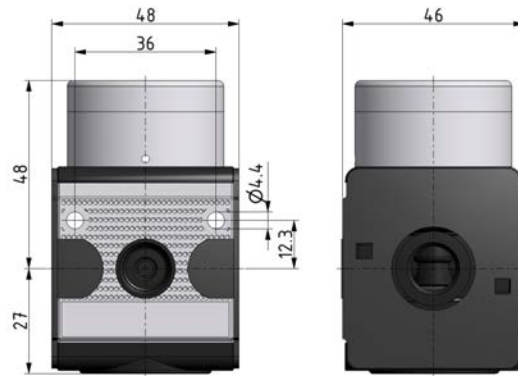
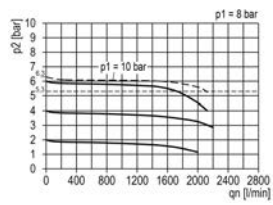
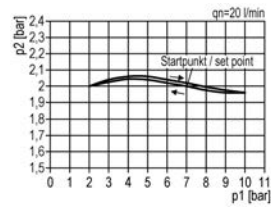


Image shows:  
9.1711.550

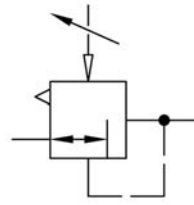
### flow characteristic



### pressure characteristic



### symbol



### technical data

- **description:** air line regulator with diaphragm and relieving feature, pneumatic pilot-operated (1:1)
- **medium:** compressed air, neutral gases
- **supply pressure P1 max.:** 16 bar
- **temperature range:** -10°C - +60°C

### accessories



- mounting bracket: [ZW.11-1](#)

### type

RI.11

### part-number

9.1711.550

### description

Pressure regulator G1/4 pneumatic pilot operated (G1/8)

Service 3 unit

Service 2 unit

Filter regulator

Filter

Pressure regulator

Lubricator

System extensions

Accessories

Special products

## Pressure regulator pneumatic pilot operated | BG3



Image shows:  
9.1733.550

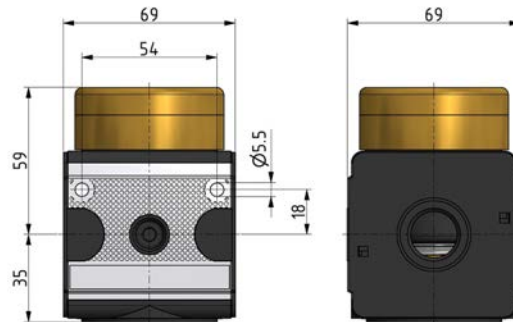
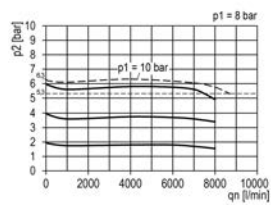
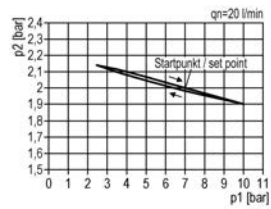


Image shows:  
9.1733.550

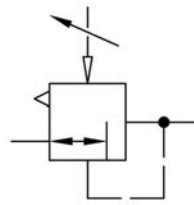
### flow characteristic



### pressure characteristic



### symbol



### technical data

- **description:** air line regulator with diaphragm and relieving feature, pneumatic pilot-operated (1:1)
- **medium:** compressed air, neutral gases
- **supply pressure P1 max.:** 16 bar
- **temperature range:** -10°C - +60°C

### accessories



- mounting bracket: [ZW.33-1](#)

type	part-number	description
RI.33	9.1733.550	Pressure regulator G1/2 pneumatic pilot operated (G1/4) with relieving feature
RI.34	9.1734.550	Pressure regulator G3/4 pneumatic pilot operated (G1/4) with relieving feature

Service 3 unit

Service 2 unit

Filter regulator

Filter

Pressure regulator

Lubricator

System extensions

Accessories

Special products



## Pressure regulator pneumatic pilot operated | BG4



Image shows:  
9.1744.550

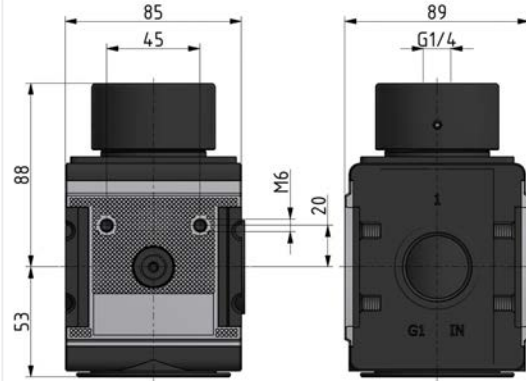
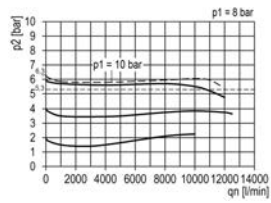
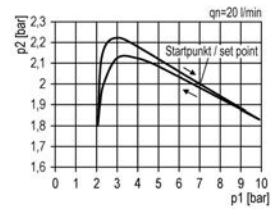


Image shows:  
9.1744.550

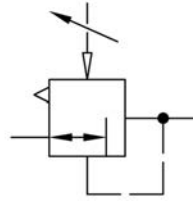
### flow characteristic



### pressure characteristic



### symbol



### technical data

- **description:** air line regulator with diaphragm and relieving feature, pneumatic pilot-operated (1:1)
- **medium:** compressed air, neutral gases
- **supply pressure P1 max.:** 16 bar
- **temperature range:** -10°C - +60°C

### accessories



- mounting bracket: [ZW.45](#)

type	part-number	description
RI.44	9.1744.550	Pressure regulator G3/4 pneumatic pilot operated
RI.45	9.1745.550	Pressure regulator G1 pneumatic pilot operated

# Pressure regulator pneumatic pilot operated | BG5



Image shows:  
9.1754.00.500

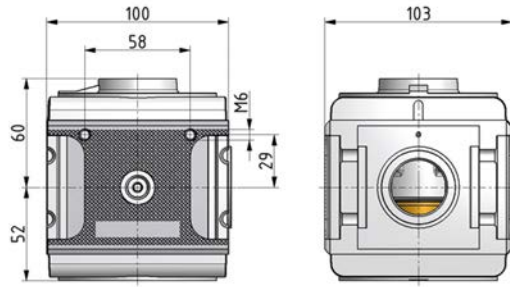
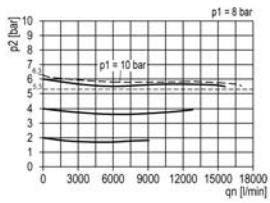
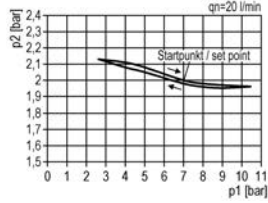


Image shows:  
9.1754.00.500

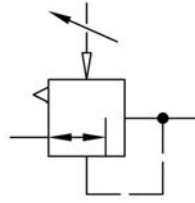
### flow characteristic



### pressure characteristic



### symbol



### technical data

- **description:** air line regulator with diaphragm and relieving feature, pneumatic pilot-operated (1:1)
- **medium:** compressed air, neutral gases
- **supply pressure P1 max.:** 16 bar
- **temperature range:** -10°C - +60°C
- **air consumption:** max. 0,5 l/min

### accessories



- mounting bracket: [ZW.55](#)

type	part-number	description
RI.54	9.1754.00.500	Pressure regulator G3/4 pneumatic pilot operated (G1/4)
RI.55	9.1755.00.500	Pressure regulator G1 pneumatic pilot operated (G1/4)

Service 3 unit

Service 2 unit

Filter regulator

Filter

Pressure regulator

Lubricator

System extensions

Accessories

Special products

## Pressure regulator with continuous pressure supply | BGO



Image shows:  
9.1701.00.200

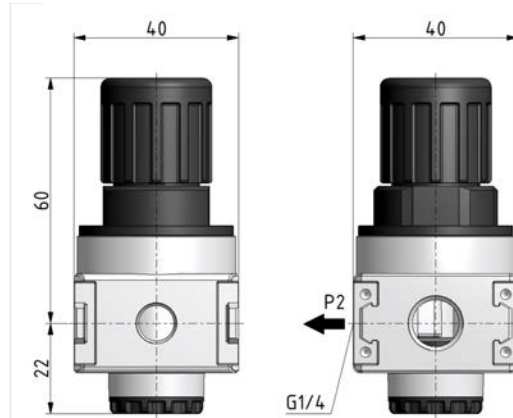
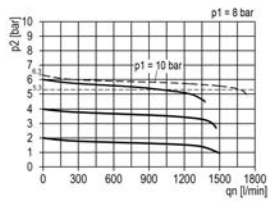
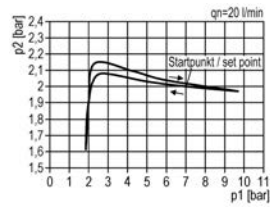


Image shows:  
9.1701.00.200

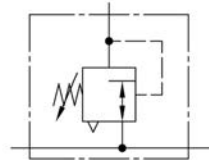
### flow characteristic



### pressure characteristic



### symbol



### technical data

- **description:** air line regulator with diaphragm and relieving feature
- **medium:** compressed air, neutral gases
- **supply pressure P1 max.:** 16 bar
- **temperature range:** -10°C - +60°C

### accessories



- coupling kit wall mounting:  
[ZW.00-1](#)



- control panel mounting:  
[MW.30/DR.00-34-2](#)

- lockable setting knob possible

### type

RB.01

### part-number

9.1701.00.200

### description

Pressure regulator with continuous pressure supply G1/4 0,5-10

## Pressure regulator with continuous pressure supply | BG1



Image shows:  
9.1711.200/1

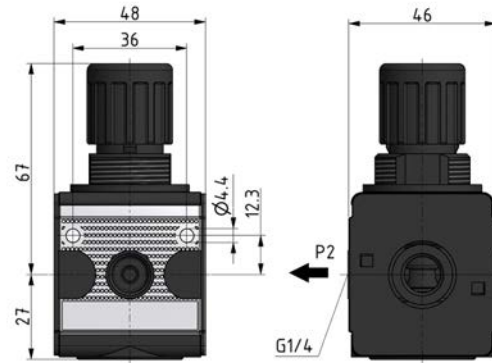
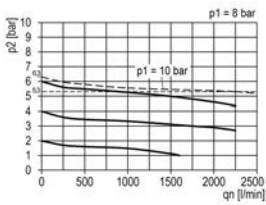
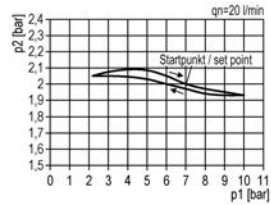


Image shows:  
9.1711.200/1

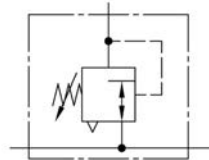
### flow characteristic



### pressure characteristic



### symbol



### technical data

- **description:** air line regulator with diaphragm and relieving feature
- **medium:** compressed air, neutral gases
- **supply pressure P1 max.:** 16 bar
- **temperature range:** -10°C - +60°C

### accessories



- mounting bracket: [ZW.11-1](#)



- control panel mounting: [MW.30/DR.00-34-2](#)

- lockable setting knob possible

### type

RB.11

### part-number

9.1711.200/1

### description

Pressure regulator with continuous pressure supply G1/4 0,5-10 and gauge port G1/4

## Pressure regulator with continuous pressure supply | BG3



Image shows:  
9.1733.200

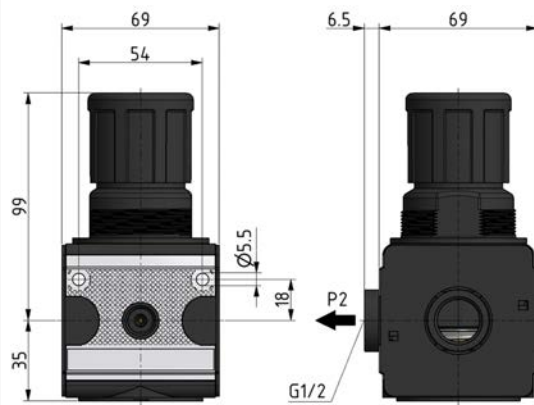
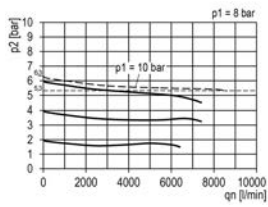
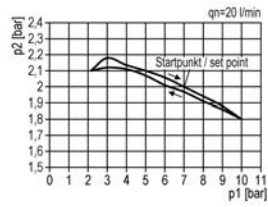


Image shows:  
9.1733.200

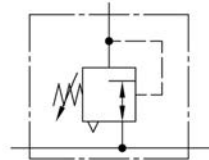
### flow characteristic



### pressure characteristic



### symbol



### technical data

- **description:** air line regulator with diaphragm and relieving feature
- **medium:** compressed air, neutral gases
- **supply pressure P1 max.:** 16 bar
- **temperature range:** -10°C - +60°C

### accessories



- mounting bracket: [ZW.33-1](#)



- control panel mounting: [MW.50/C.33-42](#)

- lockable setting knob possible

### type

RB.33

### part-number

9.1733.200

### description

Pressure regulator with continuous pressure supply G1/2 0,5-10

## Pressure regulator with gauge inside the setting knob | BGO



Image shows:  
9.1701.00.009

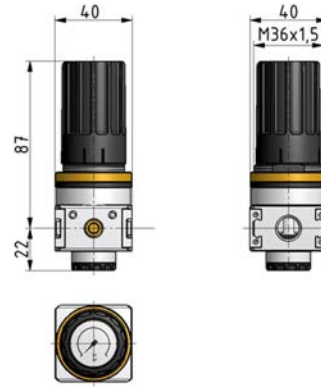
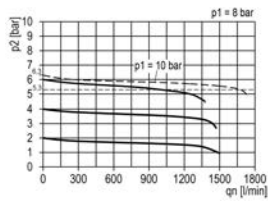
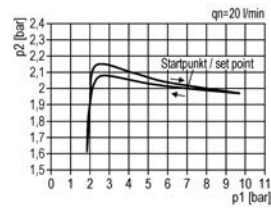


Image shows:  
9.1701.00.009

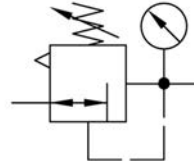
### flow characteristic



### pressure characteristic



### symbol



### technical data

- **description:** air line regulator with diaphragm and relieving feature
- **medium:** compressed air, neutral gases
- **supply pressure P1 max.:** 16 bar
- **temperature range:** -10°C - +60°C
- **control panel nut:** control panel nut

### accessories

### type

RG.01 S

### part-number

9.1701.00.009

### description

Pressure regulator G1/4 0,5-10 with gauge G 25.10/16 R inside the setting knob and panel mounting ring

## Pressure regulator with gauge inside the setting knob | BGO



Image shows:  
9.1701.00.011

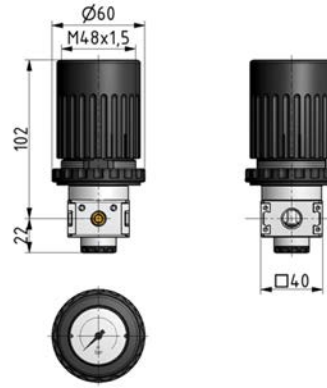
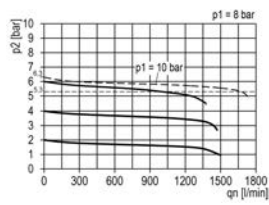
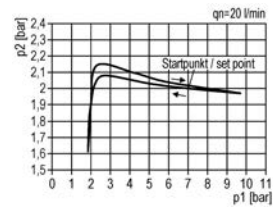


Image shows:  
9.1701.00.011

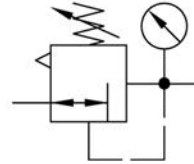
### flow characteristic



### pressure characteristic



### symbol



### technical data

- **description:** air line regulator with diaphragm and relieving feature
- **medium:** compressed air, neutral gases
- **supply pressure P1 max.:** 16 bar
- **temperature range:** -10°C - +60°C
- **control panel nut:** control panel nut

### accessories

#### type

RG.01 S

#### part-number

9.1701.00.011

#### description

Pressure regulator G1/4 0,5-10 with gauge G 40.16 R inside the setting knob and panel mounting ring

Service 3 unit

Service 2 unit

Filter regulator

Filter

Pressure regulator

Lubricator

System extensions

Accessories

Special products

## Pressure regulator with gauge inside the setting knob | BG1



Image shows:  
9.1711.011

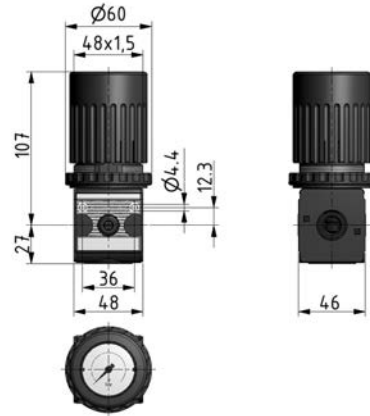
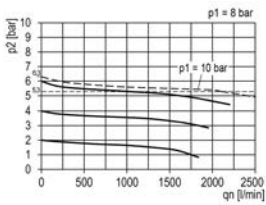
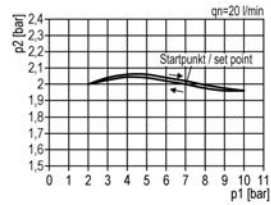


Image shows:  
9.1711.011

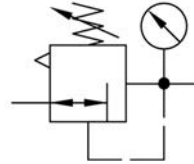
### flow characteristic



### pressure characteristic



### symbol



### technical data

- **description:** air line regulator with diaphragm and relieving feature
- **medium:** compressed air, neutral gases
- **supply pressure P1 max.:** 16 bar
- **temperature range:** -10°C - +60°C
- **control panel nut:** control panel nut

### accessories

type	part-number	description
RG.11 S	9.1711.011	Pressure regulator G1/4 0,5-10 with gauge G 40.16 R inside the setting knob and panel mounting ring
RG.12 S	9.1712.011	Pressure regulator G3/8 0,5-10 with gauge G 40.16 R inside the setting knob and panel mounting ring

Service 3 unit

Service 2 unit

Filter regulator

Filter

Pressure regulator

Lubricator

System extensions

Accessories

Special products



## Pressure regulator with gauge inside the setting knob and continuous pressure supply | BGO



Image shows:  
9.1701.00.209/1

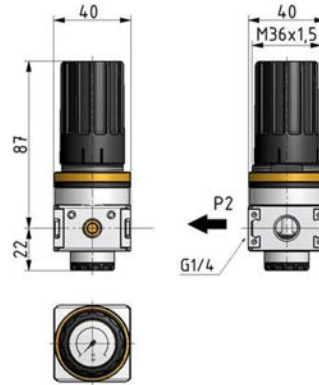
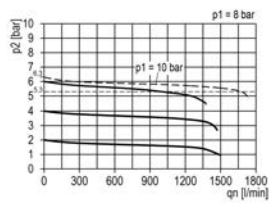
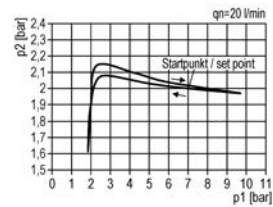


Image shows:  
9.1701.00.209/1

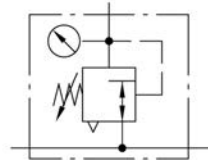
### flow characteristic



### pressure characteristic



### symbol



### technical data

- **description:** air line regulator with diaphragm and relieving feature
- **medium:** compressed air, neutral gases
- **supply pressure P1 max.:** 16 bar
- **temperature range:** -10°C - +60°C
- **control panel nut:** control panel nut

### accessories

#### type

RBG.01 S

#### part-number

9.1701.00.209/1

#### description

Pressure regulator with continuous pressure supply G1/4 0,5-10, gauge G 25.10/16 R inside the setting knob and panel mounting ring

Pressure regulator with gauge inside the setting knob and continuous pressure supply | BG1



Image shows:  
9.1711.209/1

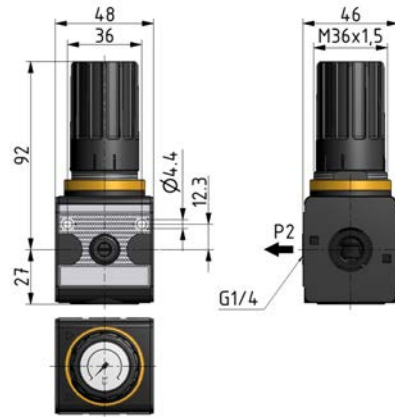
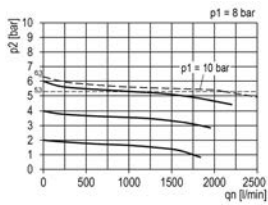
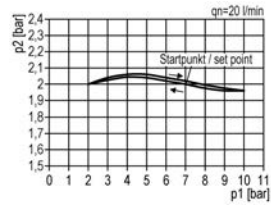


Image shows:  
9.1711.209/1

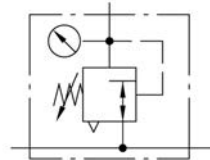
flow characteristic



pressure characteristic



symbol



technical data

- **description:** air line regulator with diaphragm and relieving feature
- **medium:** compressed air, neutral gases
- **supply pressure P1 max.:** 16 bar
- **temperature range:** -10°C - +60°C
- **control panel nut:** control panel nut

accessories

type

RBG.11 S

part-number

9.1711.209/1

description

Pressure regulator with continuous pressure supply G1/4 0,5-10, gauge G 25.10/16 R inside the setting knob and panel mounting ring

Service 3 unit

Service 2 unit

Filter regulator

Filter

Pressure regulator

Lubricator

System extensions

Accessories

Special products

# Precision pressure regulator | BG1



Image shows:  
9.6211.202

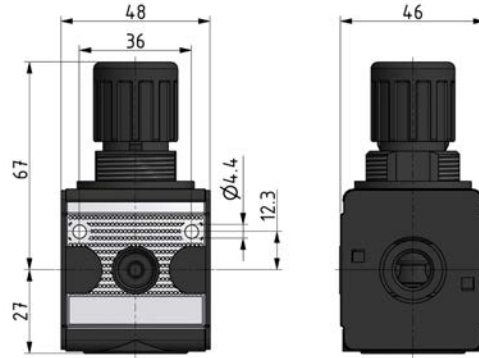
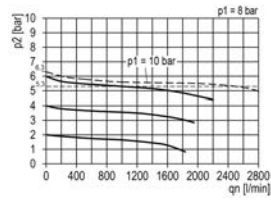
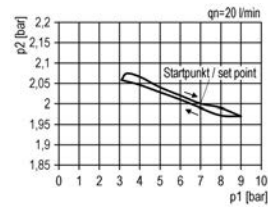


Image shows:  
9.6211.202

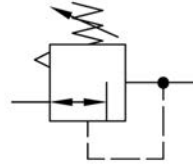
### flow characteristic



### pressure characteristic



### symbol



### technical data

- **description:** air line regulator with diaphragm and relieving feature
- **medium:** compressed air, neutral gases
- **supply pressure P1 max.:** 16 bar
- **temperature range:** -10°C - +60°C
- **air consumption:** 2,6 l/min, depend upon secondary pressure

### accessories



- mounting bracket: [ZW.11-1](#)



- control panel mounting: [MW.30/DR.00-34-2](#)

- lockable setting knob possible

### type

RP.11

### part-number

9.6211.202

### description

Precision pressure regulator G1/4 0,5-10

## Precision pressure regulator | BG3



Image shows:  
9.6233.020

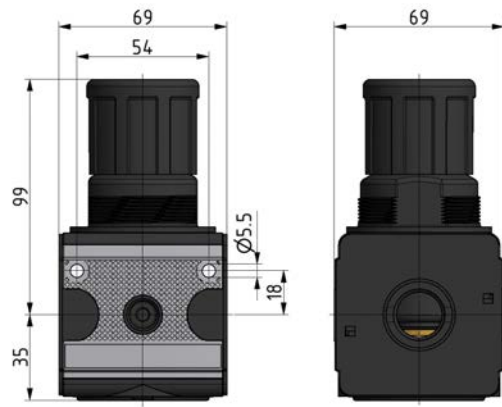
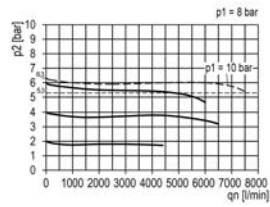
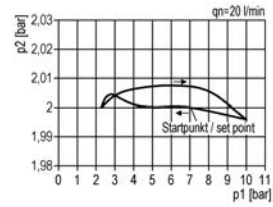


Image shows:  
9.6233.020

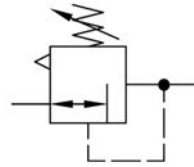
### flow characteristic



### pressure characteristic



### symbol



### technical data

- **description:** air line regulator with diaphragm and relieving feature
- **medium:** compressed air, neutral gases
- **supply pressure P1 max.:** 16 bar
- **temperature range:** -10°C - +60°C
- **air consumption:** 2,6 l/min, depend upon secondary pressure

### accessories



- mounting bracket: [ZW.33-1](#)



- control panel mounting: [MW.50/C.33-42](#)

- lockable setting knob possible

type	part-number	description
RP.33	9.6233.020	Precision pressure regulator G1/2 0,5-10

Service 3 unit

Service 2 unit

Filter regulator

Filter

Pressure regulator

Lubricator

System extensions

Accessories

Special products

# Micro lubricator | BGO



Image shows:  
9.2500.00.000

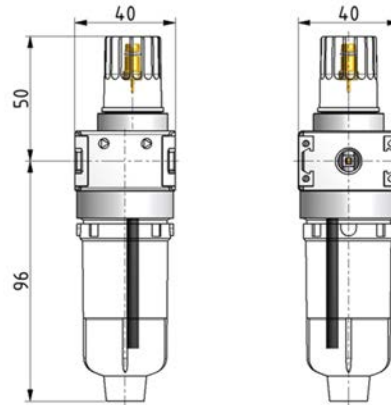
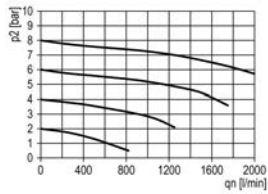
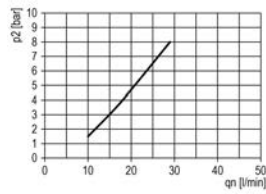


Image shows:  
9.2500.00.000

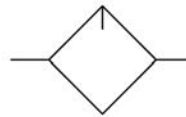
### flow characteristic



### lubricator operating limit



### symbol



### technical data

- **description:** micro lubricator
- **medium:** compressed air, neutral gases
- **supply pressure P1 max.:** 16 bar
- **temperature range:** -10°C - +60°C
- **bowl:** PC
- **mounting:** vertical
- **bowl volume lubricator:** 35 cm<sup>3</sup>
- **oil type:** CL 32 DIN 51517 - ISO VG 32
- **dome assembly:** PC
- **oil fill in:** cannot be filled with oil during operation

### accessories



- coupling kit wall mounting:  
[ZW.00-1](#)

- electrical level indicator  
(version addition: N)

- Metall-Tropfaufsatz L.33 H

type	part-number	description
L.00	9.2500.00.000	Micro lubricator G1/8 with PC bowl
L.00 M	9.2500.00.002	Micro lubricator G1/8 with metal bowl
L.00 B	9.2500.00.004	Micro lubricator G1/8 with PC bowl and bowl guard
L.01	9.2501.00.000	Micro lubricator G1/4 with PC bowl
L.01 M	9.2501.00.002	Micro lubricator G1/4 with metal bowl
L.01 B	9.2501.00.004	Micro lubricator G1/4 with PC bowl and bowl guard

Service 3 unit

Service 2 unit

Filter regulator

Filter

Pressure regulator

Lubricator

System extensions

Accessories

Special products

# Lubricator | BG1



Image shows:  
9.2511.000

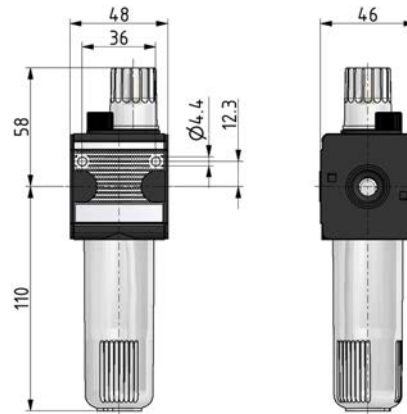
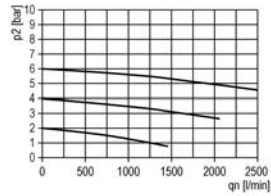
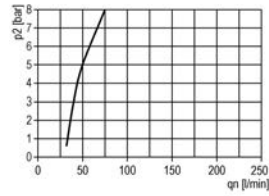


Image shows:  
9.2511.000

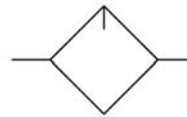
### flow characteristic



### lubricator operating limit



### symbol



### technical data

- **description:** proportional lubricator
- **medium:** compressed air, neutral gases
- **supply pressure P1 max.:** 16 bar
- **temperature range:** -10°C - +60°C
- **bowl:** PC
- **mounting:** vertical
- **bowl volume lubricator:** 50 cm<sup>3</sup>
- **oil type:** CL 32 DIN 51517 - ISO VG 32
- **dome assembly:** PC
- **oil fill in:** can be filled with oil during operation

### accessories



- mounting bracket: [ZW.11-1](#)

- electrical level indicator (version addition: N)

- Metall-Tropfaufsatz L.33 H

type	part-number	description
L.11	9.2511.000	Lubricator G1/4 with PC bowl
L.11 H	9.2511.003	Lubricator G1/4 with metal bowl/visual display
L.11 B	9.2511.004	Lubricator G1/4 with PC bowl and bowl guard
L.12	9.2512.000	Lubricator G3/8 with PC bowl
L.12 H	9.2512.003	Lubricator G3/8 with metal bowl/visual display
L.12 B	9.2512.004	Lubricator G3/8 with PC bowl and bowl guard

Service 3 unit

Service 2 unit

Filter regulator

Filter

Pressure regulator

Lubricator

System extensions

Accessories

Special products

# Lubricator | BG3



Image shows:  
9.2533.000

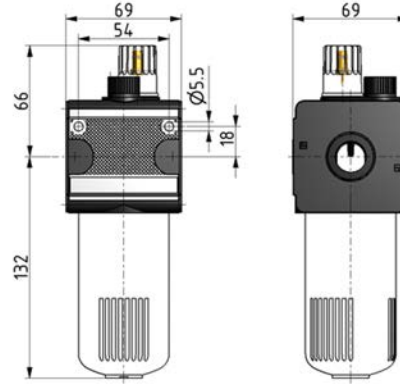
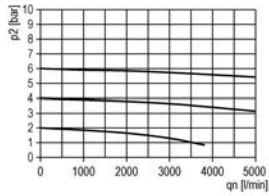
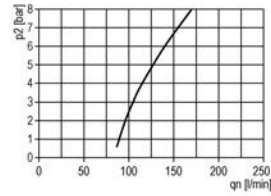


Image shows:  
9.2533.000

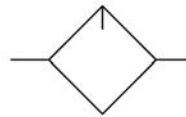
### flow characteristic



### lubricator operating limit



### symbol



### technical data

- **description:** proportional lubricator
- **medium:** compressed air, neutral gases
- **supply pressure P1 max.:** 16 bar
- **temperature range:** -10°C - +60°C
- **bowl:** PC
- **mounting:** vertical
- **bowl volume lubricator:** 125 cm<sup>3</sup>
- **oil type:** CL 32 DIN 51517 - ISO VG 32
- **dome assembly:** PC
- **oil fill in:** can be filled with oil during operation

### accessories

- mounting bracket: [ZW.33-1](#)
- electrical level indicator (version addition: N)
- Metall-Tropfaufsatz L.33 H

type	part-number	description
L.33	9.2533.000	Lubricator G1/2 with PC bowl
L.33 H	9.2533.003	Lubricator G1/2 with metal bowl/visual display
L.33 B	9.2533.004	Lubricator G1/2 with PC bowl and bowl guard
L.34	9.2534.000	Lubricator G3/4 with PC bowl
L.34 H	9.2534.003	Lubricator G3/4 with metal bowl/visual display
L.34 B	9.2534.004	Lubricator G3/4 with PC bowl and bowl guard

Service 3 unit

Service 2 unit

Filter regulator

Filter

Pressure regulator

Lubricator

System extensions

Accessories

Special products

# Lubricator | BG4



Image shows:  
9.2544.002

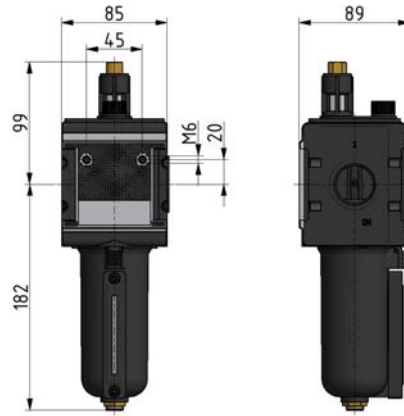
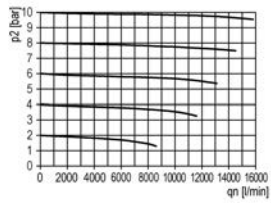
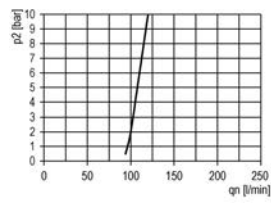


Image shows:  
9.2544.002

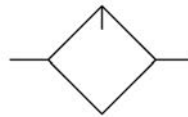
### flow characteristic



### lubricator operating limit



### symbol



### technical data

- **description:** proportional lubricator
- **medium:** compressed air, neutral gases
- **supply pressure P1 max.:** 20 bar
- **temperature range:** -10°C - +60°C
- **bowl:** metal bowl with level indicator
- **mounting:** vertical
- **bowl volume lubricator:** 181 cm<sup>3</sup>
- **oil type:** CL 32 DIN 51517 - ISO VG 32
- **dome assembly:** PC
- **oil fill in:** can be filled with oil during operation

### accessories

- mounting bracket: [ZW.45](#)
- electrical level indicator (version addition: N)
- Metall-Tropfaufsatz L.33 H

type	part-number	description
L.44 H	9.2544.002	Lubricator G3/4 with metal bowl/visual display
L.44 B	9.2544.004	Lubricator G3/4 with PC bowl
L.45 H	9.2545.002	Lubricator G1 with metal bowl/visual display
L.45 B	9.2545.004	Lubricator G1 with PC bowl

Service 3 unit

Service 2 unit

Filter regulator

Filter

Pressure regulator

Lubricator

System extensions

Accessories

Special products



## Lubricator | BG5



Image shows:  
9.2554.00.000

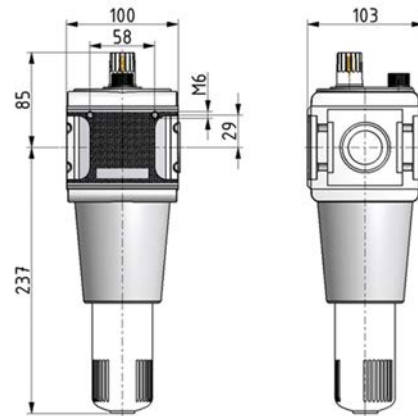
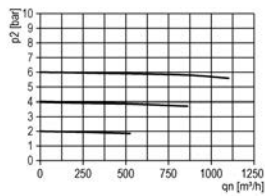
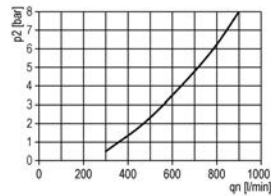


Image shows:  
9.2554.00.000

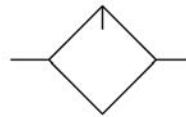
### flow characteristic



### lubricator operating limit



### symbol



### technical data

- **description:** proportional lubricator
- **medium:** compressed air, neutral gases
- **supply pressure P1 max.:** 16 bar
- **temperature range:** -10°C - +60°C
- **bowl:** PC
- **mounting:** vertical
- **bowl volume lubricator:** 450 cm<sup>3</sup>
- **oil type:** CL 32 DIN 51517 - ISO VG 32
- **dome assembly:** PC
- **oil fill in:** can be filled with oil during operation

### accessories

- mounting bracket: [ZW.33-1](#)
- electrical level indicator (version addition: N)
- Metall-Tropfaufsatz L.33 H

type	part-number	description
L.54	9.2554.00.000	Lubricator G3/4 with PC bowl
L.54 H	9.2554.00.003/1	Lubricator G3/4 with metal bowl/visual display and PA dome
L.55	9.2555.00.000	Lubricator G1 with PC bowl
L.55 H	9.2555.00.003	Lubricator G1 with metal bowl/visual display
L.55 B	9.2555.00.004	Lubricator G1 with PC bowl and bowl guard

# Micro lubricator | BG1



Image shows:  
9.2511.200

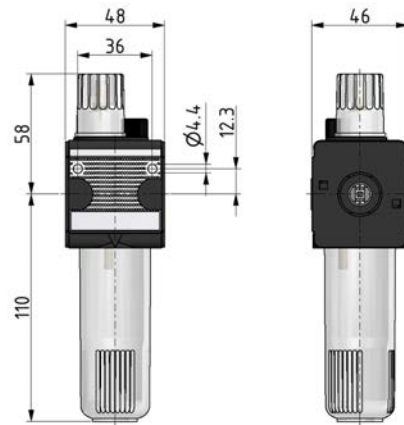
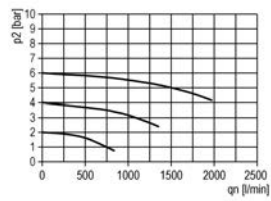
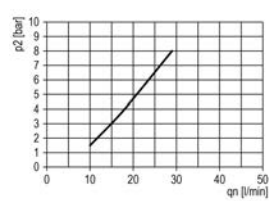


Image shows:  
9.2511.200

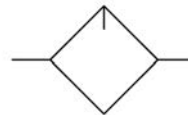
### flow characteristic



### lubricator operating limit



### symbol



### technical data

- **description:** micro lubricator
- **medium:** compressed air, neutral gases
- **supply pressure P1 max.:** 16 bar
- **temperature range:** -10°C - +60°C
- **bowl:** PC
- **mounting:** vertical
- **bowl volume lubricator:** 50 cm<sup>3</sup>
- **oil type:** CL 32 DIN 51517 - ISO VG 32
- **dome assembly:** PC
- **oil fill in:** cannot be filled with oil during operation

### accessories



- mounting bracket: [ZW.11-1](#)

- electrical level indicator (version addition: N)

- Metall-Tropfaufsatz L.33 H

type	part-number	description
ML.11	9.2511.200	Micro lubricator G1/4 with PC bowl
ML.11 H	9.2511.203	Micro lubricator G1/4 with metal bowl/visual display
ML.11 B	9.2511.204	Micro lubricator G1/4 with PC bowl and bowl guard

Service 3 unit

Service 2 unit

Filter regulator

Filter

Pressure regulator

Lubricator

System extensions

Accessories

Special products

# Micro lubricator | BG3



Image shows:  
9.2533.00.200

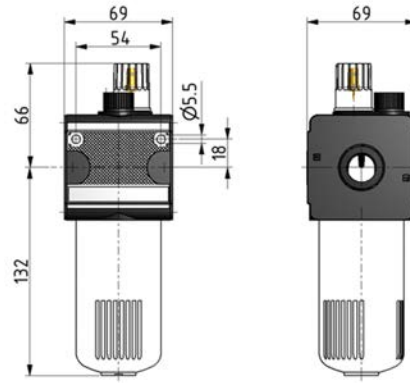
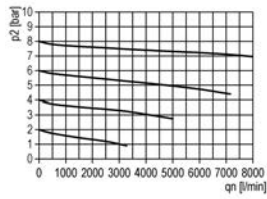
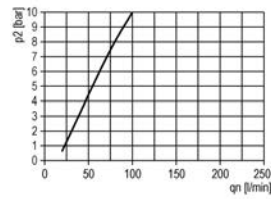


Image shows:  
9.2533.00.200

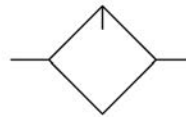
### flow characteristic



### lubricator operating limit



### symbol



### technical data

- **description:** micro lubricator
- **medium:** compressed air, neutral gases
- **supply pressure P1 max.:** 16 bar
- **temperature range:** -10°C - +60°C
- **bowl:** PC
- **mounting:** vertical
- **bowl volume lubricator:** 125 cm<sup>3</sup>
- **oil type:** CL 32 DIN 51517 - ISO VG 32
- **dome assembly:** PC
- **oil fill in:** cannot be filled with oil during operation

### accessories

- mounting bracket: [ZW.33-1](#)
- electrical level indicator (version addition: N)
- Metall-Tropfaufsatz L.33 H

type	part-number	description
ML.33	9.2533.00.200	Micro lubricator G1/2 with PC bowl
ML.33 H	9.2533.00.203	Micro lubricator G1/2 with metal bowl/visual display
ML.33 B	9.2533.00.204	Micro lubricator G1/2 with PC bowl and bowl guard

## 3/2 directional control valve | BG0



Image shows:  
9.4001.00.500

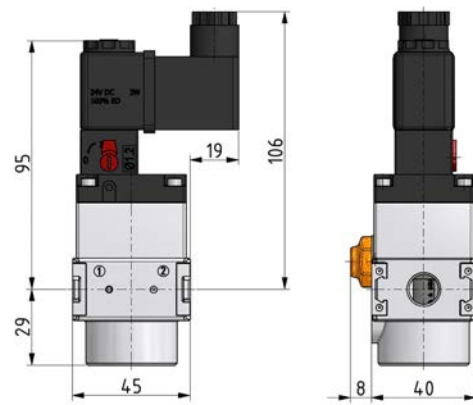
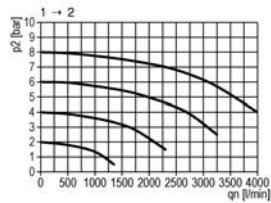
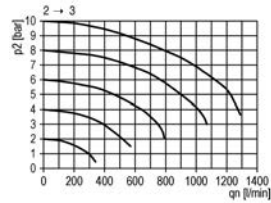


Image shows:  
9.4001.00.500

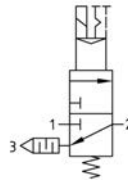
### flow characteristic



### rear exhaust



### symbol



### technical data

- **description:** 3/2 poppet valve
- **medium:** compressed air, neutral gases
- **supply pressure P1 min.:** 2 bar
- **supply pressure P1 max.:** 10 bar
- **temperature range:** -10°C - +60°C
- **input signal:** 24V=
- **exhaust:** G 1/4
- **relative switch on duration:** 100%
- **capacity:** 4,8 W
- **protection class:** IP 65 according to DIN 40050
- **electrical connection:** socket coupling EN 175301-803, industrial design (included in scope of delivery)

### accessories



- **coupling kit wall mounting:**  
[ZW.00-1](#)

type	part-number	description
S.01	9.4001.00.500	3/2 Directional control valve G1/4 electric operated 24V=
S.01	9.4001.00.510	3/2 Directional control valve G1/4 electric operated 230V/50Hz
S.01	9.4001.00.520	3/2 Directional control valve G1/4 electric operated 110V/50Hz
S.01	9.4001.00.530	3/2 Directional control valve G1/4 electric operated 24V/50Hz
S.01 I	9.4001.00.540	3/2 Directional control valve G1/4 pneumatic operated
S.01 C	9.4001.00.561	3/2 Directional control valve G1/4 with CNOMO adapter

Service 3 unit

Service 2 unit

Filter regulator

Filter

Pressure regulator

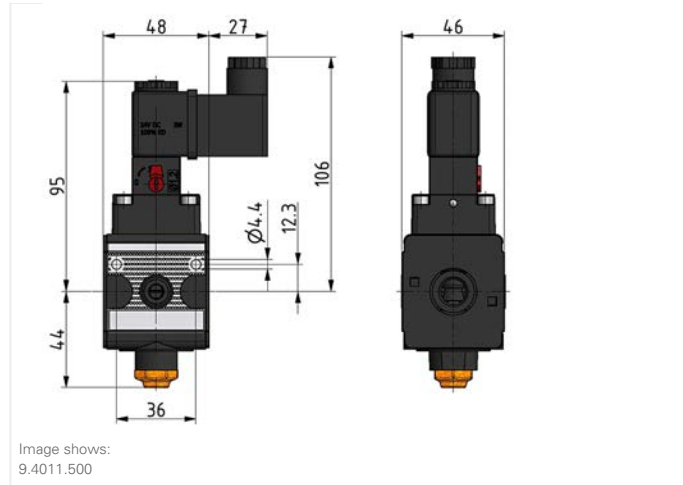
Lubricator

System extensions

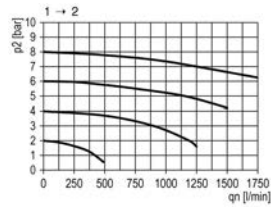
Accessories

Special products

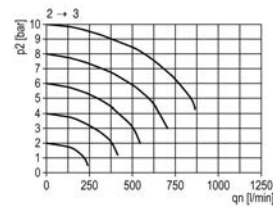
## 3/2 directional control valve | BG1



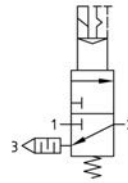
### flow characteristic



### rear exhaust



### symbol



### technical data

- **description:** 3/2 poppet valve
- **medium:** compressed air, neutral gases
- **supply pressure P1 min.:** 2 bar
- **supply pressure P1 max.:** 10 bar
- **temperature range:** -10°C - +60°C
- **input signal:** 24V=
- **exhaust:** G 1/4
- **relative switch on duration:** 100%
- **capacity:** 4,8 W
- **protection class:** IP 65 according to DIN 40050
- **electrical connection:** socket coupling EN 175301-803, industrial design (included in scope of delivery)

### accessories



- **mounting bracket:** [ZW.11-1](#)

type	part-number	description
S.11	9.4011.500	3/2 Directional control valve G1/4 electric operated 24V=
S.11	9.4011.510	3/2 Directional control valve G1/4 electric operated 230V/50Hz
S.11	9.4011.520	3/2 Directional control valve G1/4 electric operated 110V/50Hz
S.11	9.4011.530	3/2 Directional control valve G1/4 electric operated 24V/50Hz
S.11 I	9.4011.540	3/2 Directional control valve G1/4 pneumatic operated
S.11 C	9.4011.561	3/2 Directional control valve G1/4 with CNOMO adapter

## 3/2 directional control valve | BG3



Image shows:  
9.4033.500

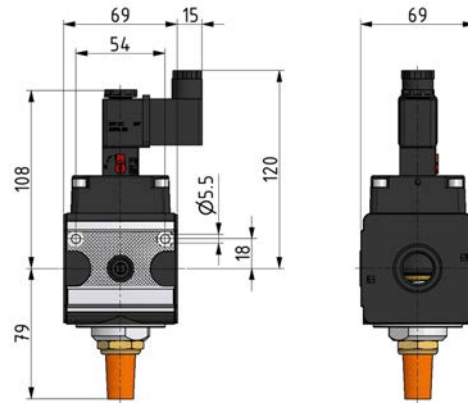
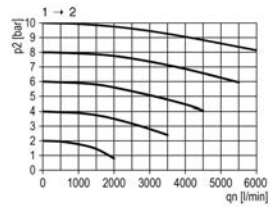
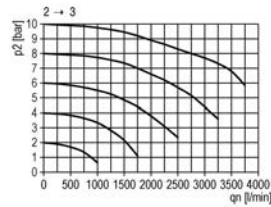


Image shows:  
9.4033.500

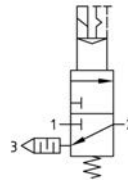
### flow characteristic



### rear exhaust



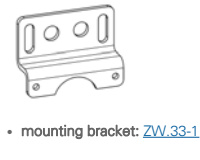
### symbol



### technical data

- **description:** 3/2 poppet valve
- **medium:** compressed air, neutral gases
- **supply pressure P1 min.:** 2 bar
- **supply pressure P1 max.:** 10 bar
- **temperature range:** -10°C - +60°C
- **input signal:** 24V=
- **exhaust:** G 1/2
- **relative switch on duration:** 100%
- **capacity:** 4,8 W
- **protection class:** IP 65 according to DIN 40050
- **electrical connection:** socket coupling EN 175301-803, industrial design (included in scope of delivery)

### accessories



type	part-number	description
S.33	9.4033.500	3/2 Directional control valve G1/2 electric operated 24V=
S.33	9.4033.510	3/2 Directional control valve G1/2 electric operated 230V/50Hz
S.33	9.4033.520	3/2 Directional control valve G1/2 electric operated 110V/50Hz
S.33	9.4033.530	3/2 Directional control valve G1/2 electric operated 24V/50Hz
S.33 I	9.4033.540	3/2 Directional control valve G1/2 pneumatic operated
S.33 C	9.4033.561	3/2 Directional control valve G1/2 with CNOMO adapter

Service 3 unit

Service 2 unit

Filter regulator

Filter

Pressure regulator

Lubricator

System extensions

Accessories

Special products

## 3/2 directional control valve | BG4



Image shows:  
9.4044.500

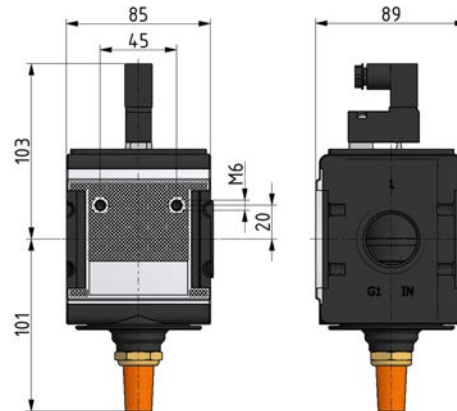
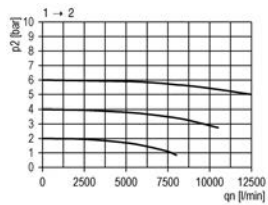
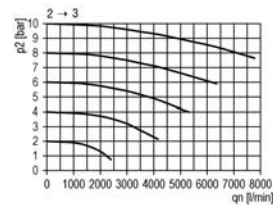


Image shows:  
9.4044.500

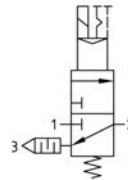
### flow characteristic



### rear exhaust



### symbol



### technical data

- **description:** 3/2 poppet valve
- **medium:** compressed air, neutral gases
- **supply pressure P1 min.:** 2 bar
- **supply pressure P1 max.:** 10 bar
- **temperature range:** -10°C - +60°C
- **input signal:** 24V=
- **exhaust:** G 1/2
- **relative switch on duration:** 100%
- **capacity:** 2,5 W
- **protection class:** IP 65 according to DIN 40050
- **electrical connection:** socket coupling EN 175301-803, form C / ISO 15217 poles 2+PE (included in scope of delivery)

### accessories



- **mounting bracket:** [ZW.45](#)

type	part-number	description
S.44	9.4044.500	3/2 Directional control valve G3/4 electric operated 24V=
S.44	9.4044.510	3/2 Directional control valve G3/4 electric operated 230V/50Hz
S.44	9.4044.520	3/2 Directional control valve G3/4 electric operated 115V/50Hz
S.44	9.4044.530	3/2 Directional control valve G3/4 electric operated 24V/50Hz
S.44 I	9.4044.540	3/2 Directional control valve G3/4 pneumatic operated
S.44	9.4044.570	3/2 Directional control valve G3/4 pneumatic operated 24V=M12
S.45	9.4045.500	3/2 Directional control valve G1 electric operated 24V=
S.45	9.4045.510	3/2 Directional control valve G1 electric operated 230V/50Hz
S.45	9.4045.520	3/2 Directional control valve G1 electric operated 115V/50Hz
S.45	9.4045.530	3/2 Directional control valve G1 electric operated 24V/50Hz
S.45 I	9.4045.540	3/2 Directional control valve G1 pneumatic operated
S.45	9.4045.570	3/2 Directional control valve G1 pneumatic operated 24V=M12

Service 3 unit

Service 2 unit

Filter regulator

Filter

Pressure regulator

Lubricator

System extensions

Accessories

Special products



## 3/2 directional control valve | BG5



Image shows:  
9.4054.00.500

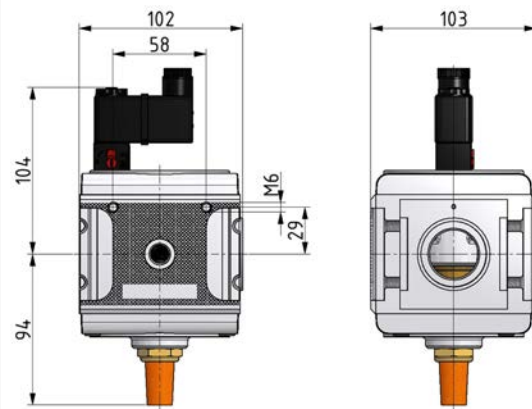
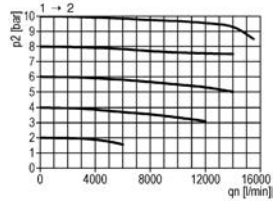
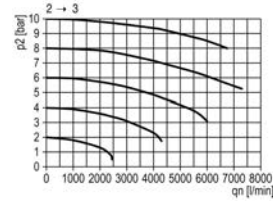


Image shows:  
9.4054.00.500

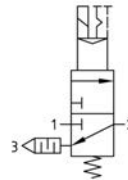
### flow characteristic



### rear exhaust



### symbol



### technical data

- **description:** 3/2 poppet valve
- **medium:** compressed air, neutral gases
- **supply pressure P1 min.:** 2 bar
- **supply pressure P1 max.:** 10 bar
- **temperature range:** -10°C - +60°C
- **input signal:** 24V=
- **exhaust:** G 1/2
- **relative switch on duration:** 100%
- **capacity:** 4,8 W
- **protection class:** IP 65 according to DIN 40050
- **electrical connection:** socket coupling EN 175301-803, industrial design (included in scope of delivery)

### accessories



- mounting bracket: [ZW.55](#)

Service 3 unit

Service 2 unit

Filter regulator

Filter

Pressure regulator

Lubricator

**System extensions**

Accessories

Special products

type	part-number	description
S.54	9.4054.00.500	3/2 Directional control valve G3/4 electric operated 24V=
S.54	9.4054.00.510	3/2 Directional control valve G3/4 electric operated 230V/50Hz
S.54	9.4054.00.530	3/2 Directional control valve G3/4 electric operated 24V=
S.54 I	9.4054.00.540	3/2 Directional control valve G3/4 pneumatic operated
S.54 C	9.4054.00.561	3/2 Directional control valve G3/4 with CNOMO adapter
S.55	9.4055.00.500	3/2 Directional control valve G1 electric operated 24V=
S.55	9.4055.00.510	3/2 Directional control valve G1 electric operated 230V/50Hz
S.55 I	9.4055.00.540	3/2 Directional control valve G1 pneumatic operated
S.55 C	9.4055.00.561	3/2 Directional control valve G1 with CNOMO adapter

## Soft start valve | BGO



Image shows:  
9.4001.00.400

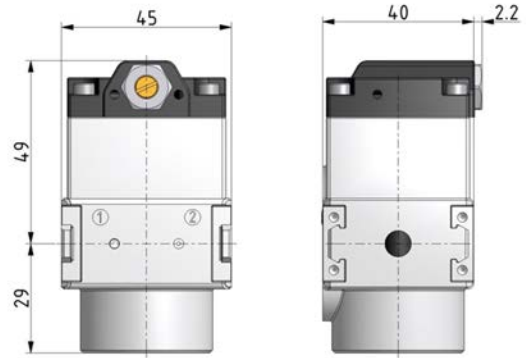
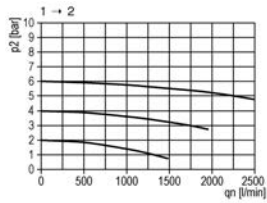
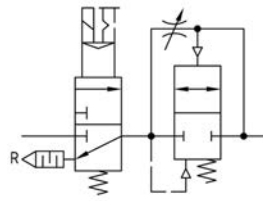


Image shows:  
9.4001.00.400

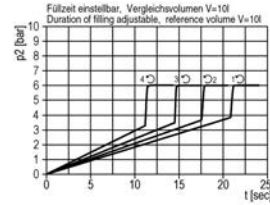
### flow characteristic



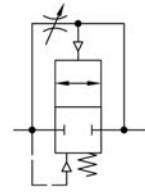
### operating conditions



### charging characteristics



### symbol



### technical data

- **description:** poppet valve, operated by secondary pressure
- **medium:** compressed air, neutral gases
- **supply pressure P1 min.:** 2,5 bar
- **supply pressure P1 max.:** 16 bar
- **temperature range:** -10°C - +60°C
- **switching pressure:** 50% P1 (only for closed systems)

### accessories



- **coupling kit wall mounting:**  
[ZW.00-1](#)

### type

A.01 F

### part-number

9.4001.00.400

### description

Soft start valve G1/4 with adjustable throttle

# Soft start valve | BG1

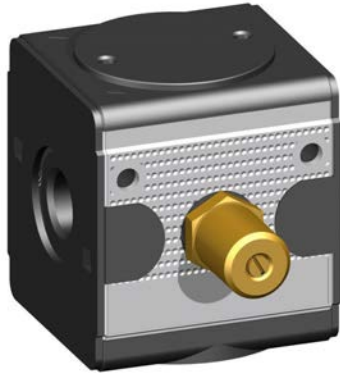


Image shows:  
9.4011.410

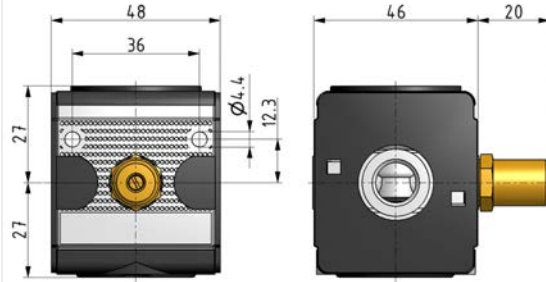
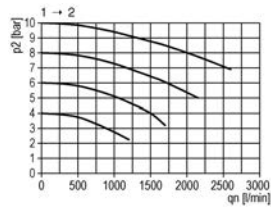
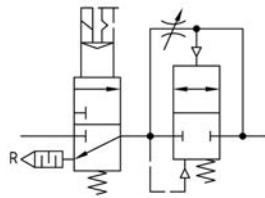


Image shows:  
9.4011.410

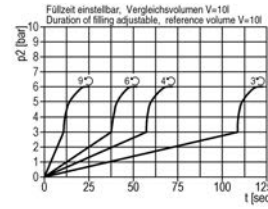
### flow characteristic



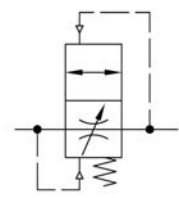
### operating conditions



### charging characteristics



### symbol



### technical data

- **description:** poppet valve, operated by secondary pressure
- **medium:** compressed air, neutral gases
- **supply pressure P1 min.:** 2 bar
- **supply pressure P1 max.:** 16 bar
- **temperature range:** -10°C - +60°C
- **switching pressure:** 50% P1 (only for closed systems)

### accessories



- **mounting bracket:** [ZW.11-1](#)

### type

A.11 F

### part-number

9.4011.410

### description

Soft start valve G1/4 with adjustable throttle (switching point 50%)

Service 3 unit

Service 2 unit

Filter regulator

Filter

Pressure regulator

Lubricator

System extensions

Accessories

Special products

## Soft start valve | BG3



Image shows:  
9.4033.410

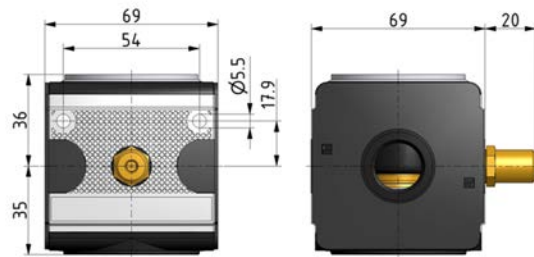
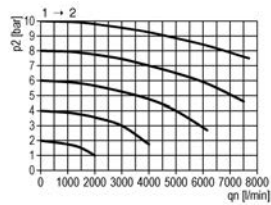
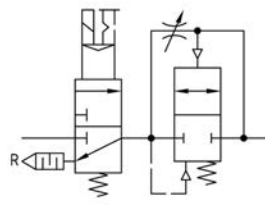


Image shows:  
9.4033.410

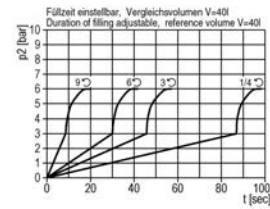
### flow characteristic



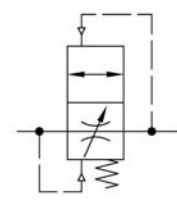
### operating conditions



### charging characteristics



### symbol



### technical data

- **description:** poppet valve, operated by secondary pressure
- **medium:** compressed air, neutral gases
- **supply pressure P1 min.:** 2 bar
- **supply pressure P1 max.:** 16 bar
- **temperature range:** -10°C - +60°C
- **switching pressure:** 50% P1 (only for closed systems)

### accessories



- mounting bracket: [ZW.33-1](#)

### type

A.33 F

### part-number

9.4033.410

### description

Soft start valve G1/2 with adjustable throttle

Service 3 unit

Service 2 unit

Filter regulator

Filter

Pressure regulator

Lubricator

System extensions

Accessories

Special products

## Soft start valve | BG4



Image shows:  
9.4044.400

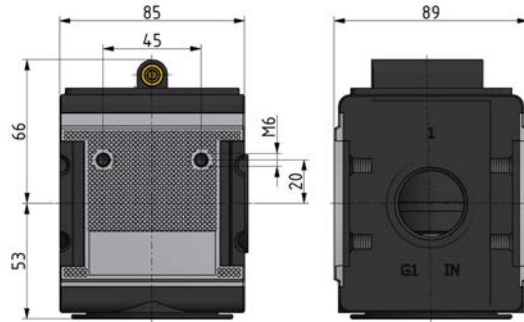
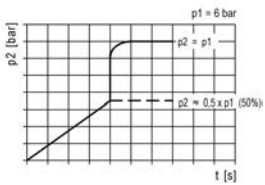
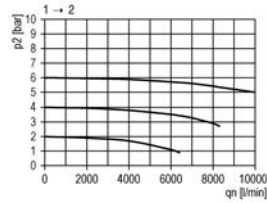


Image shows:  
9.4044.400

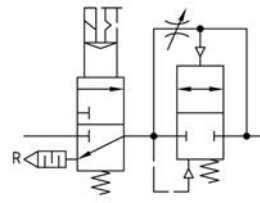
### filling characteristic



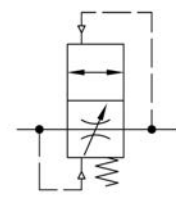
### flow characteristic



### operating conditions



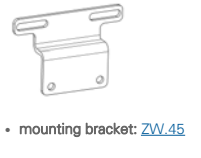
### symbol



### technical data

- **description:** poppet valve, operated by secondary pressure
- **medium:** compressed air, neutral gases
- **supply pressure P1 min.:** 2 bar
- **supply pressure P1 max.:** 16 bar
- **temperature range:** -10°C - +60°C
- **switching pressure:** 50% P1 (only for closed systems)

### accessories



type	part-number	description
A.44 F	9.4044.400	Soft start valve G3/4 with adjustable throttle
A.45 F	9.4045.400	Soft start valve G1 with adjustable throttle

Service 3 unit

Service 2 unit

Filter regulator

Filter

Pressure regulator

Lubricator

System extensions

Accessories

Special products

## Soft start valve | BG5



Image shows:  
9.4054.00.400

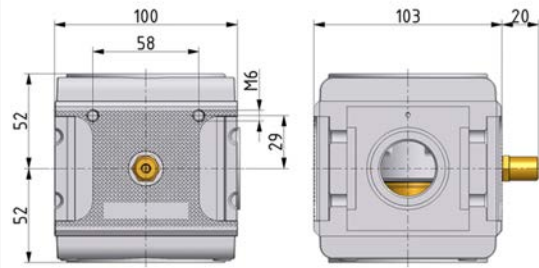
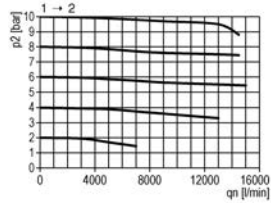
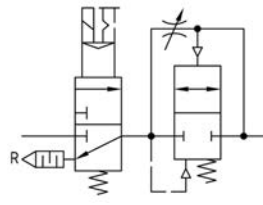


Image shows:  
9.4054.00.400

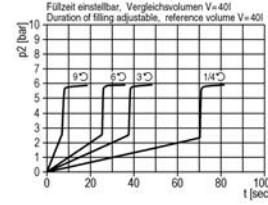
### flow characteristic



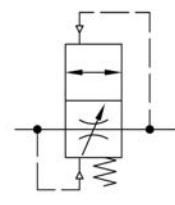
### operating conditions



### charging characteristics



### symbol



### technical data

- **description:** poppet valve, operated by secondary pressure
- **medium:** compressed air, neutral gases
- **supply pressure P1 min.:** 2 bar
- **supply pressure P1 max.:** 16 bar
- **temperature range:** -10°C - +60°C
- **switching pressure:** 50% P1 (only for closed systems)

### accessories

- mounting bracket: [ZW.55](#)

type	part-number	description
A.54 F	9.4054.00.400	Soft start valve G3/4 with adjustable throttle
A.55 F	9.4055.00.400	Soft start valve G1 with adjustable throttle

## Ball valve | BGO



Image shows:  
9.4000.00.000/1

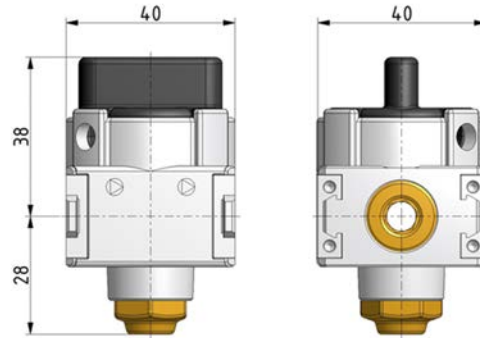
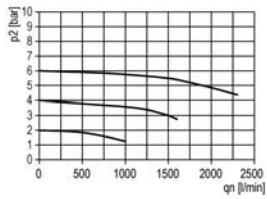
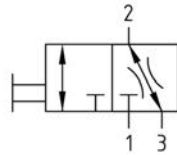


Image shows:  
9.4000.00.000/1

### flow characteristic



### symbol



### technical data

- **description:** 3/2 directional control valve, shut off for downstream air
- **medium:** compressed air, neutral gases
- **supply pressure P1 max.:** 16 bar
- **temperature range:** -10°C - +60°C
- **locking:** lockable with padlock
- **exhaust:** G 1/4
- **operating:** knob can be turned 90°

### accessories



- coupling kit wall mounting:  
[ZW.00-1](#)

type	part-number	description
K.00	9.4000.00.000/1	Ball valve G1/8 with silencer
K.01	9.4001.00.000/1	Ball valve G1/4 with silencer

Service 3 unit

Service 2 unit

Filter regulator

Filter

Pressure regulator

Lubricator

System extensions

Accessories

Special products



## Ball valve | BG1



Image shows:  
9.4011.000/1

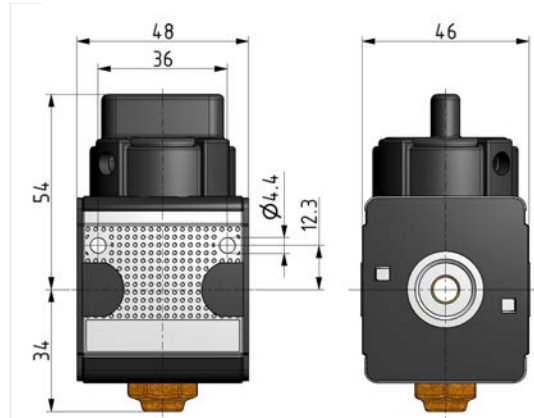
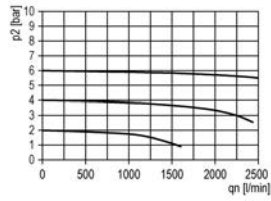
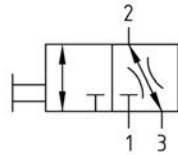


Image shows:  
9.4011.000/1

### flow characteristic



### symbol



### technical data

- **description:** 3/2 directional control valve, shut off for downstream air
- **medium:** compressed air, neutral gases
- **supply pressure P1 max.:** 16 bar
- **temperature range:** -10°C - +60°C
- **locking:** lockable with padlock
- **exhaust:** G 1/4
- **operating:** knob can be turned 90°

### accessories



- mounting bracket: [ZW.11-1](#)

type	part-number	description
K.11	9.4011.000/1	Ball valve G1/4 with silencer
K.12	9.4012.000/1	Ball valve G3/8 with silencer

## Ball valve | BG3



Image shows:  
9.4033.000/1

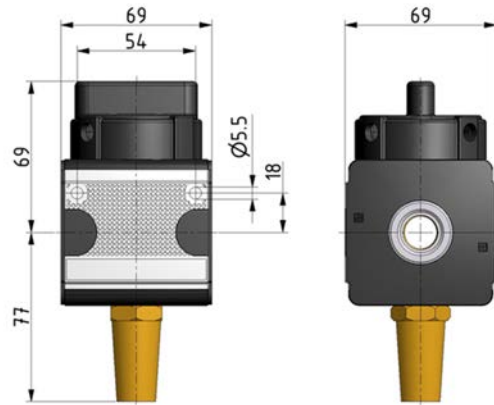
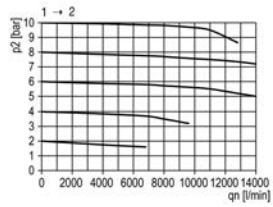
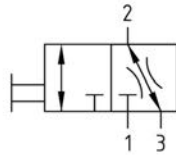


Image shows:  
9.4033.000/1

### flow characteristic



### symbol



### technical data

- **description:** 3/2 directional control valve, shut off for downstream air
- **medium:** compressed air, neutral gases
- **supply pressure P1 max.:** 16 bar
- **temperature range:** -10°C - +60°C
- **locking:** lockable with padlock
- **exhaust:** G 1/2
- **operating:** knob can be turned 90°

### accessories



- mounting bracket: [ZW.33-1](#)

type	part-number	description
K.33	9.4033.000/1	Ball valve G1/2 with silencer
K.34	9.4034.000/1	Ball valve G3/4 with silencer

Service 3 unit

Service 2 unit

Filter regulator

Filter

Pressure regulator

Lubricator

System extensions

Accessories

Special products

## Ball valve | BG4



Image shows:  
9.4044.000

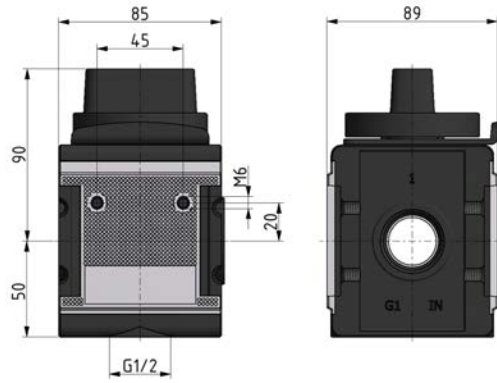
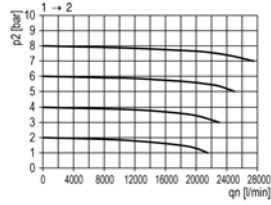
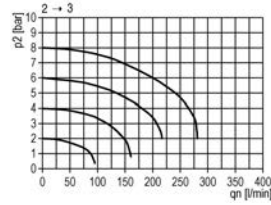


Image shows:  
9.4044.000

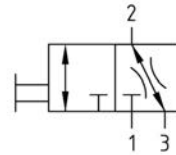
### flow characteristic



### rear exhaust



### symbol



### technical data

- **description:** 3/2 directional control valve, shut off for downstream air
- **medium:** compressed air, neutral gases
- **supply pressure P1 max.:** 16 bar
- **temperature range:** -10°C - +60°C
- **locking:** lockable with padlock (setting knob can be locked by pressing downwards)
- **exhaust:** G 1/2
- **operating:** knob can be turned 90°

### accessories



- **mounting bracket:** [ZW.45](#)

type	part-number	description
K.44	9.4044.000	Ball valve G3/4
K.45	9.4045.000	Ball valve G1

## Ball valve | BG5



Image shows:  
9.4054.00.000/1

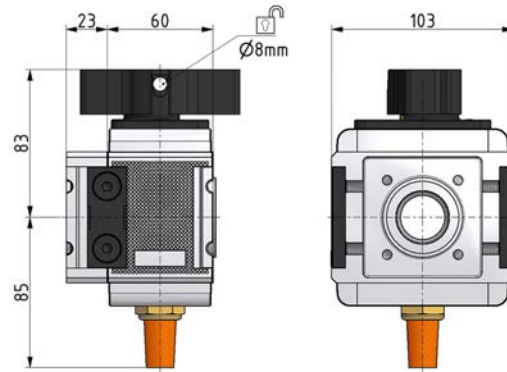
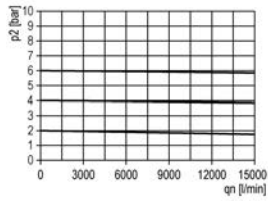
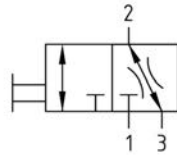


Image shows:  
9.4054.00.000/1

### flow characteristic



### symbol



### technical data

- **description:** 3/2 directional control valve, shut off for downstream air
- **medium:** compressed air, neutral gases
- **supply pressure P1 max.:** 16 bar
- **temperature range:** -10°C - +60°C
- **locking:** lockable with padlock
- **exhaust:** G 1/2
- **operating:** knob can be turned 90°

### accessories



- **connecting plate:** [AP.54](#) (G 3/4) and [AP.55](#) (G 1)

type	part-number	description
K.54 AP	9.4054.00.000/1	Ball valve G3/4 with 1x connection plate and silencer
K.54 2AP	9.4054.00.001/1	Ball valve G3/4 with 2x connection plate and silencer
K.55 AP	9.4055.00.000/1	Ball valve G1 with 1x connection plate and silencer
K.55 2AP	9.4055.00.001/1	Ball valve G1 with 2x connection plate and silencer
K.5-	9.4055.00.002	Ball valve without connection plate

Service 3 unit

Service 2 unit

Filter regulator

Filter

Pressure regulator

Lubricator

System extensions

Accessories

Special products

## Distributor small | BGO

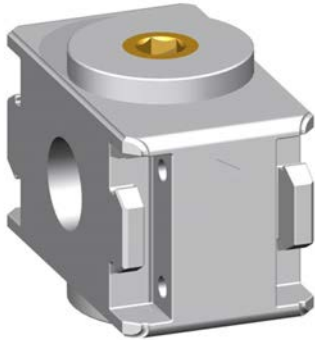


Image shows:  
9.4001.00.300

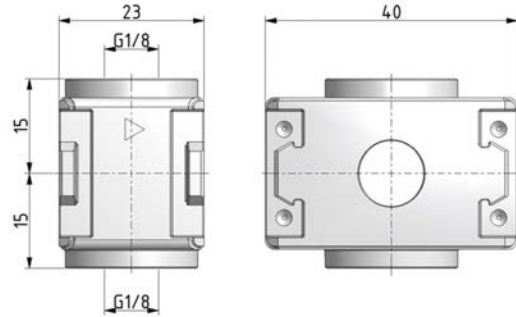
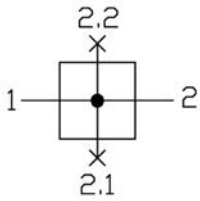


Image shows:  
9.4001.00.300

### symbol



### technical data

- **description:** distribution manifold block
- **medium:** compressed air, neutral gases
- **supply pressure P1 max.:** 16 bar
- **temperature range:** -10°C - +60°C
- **flow rate 1 => 2:** 2700 l/min
- **flow rate below 1 => 2.1:** Qn = 1300 l/min (at P1 = 6 bar, delta p = 1 bar)
- **flow rate top 1 => 2.2:** Qn = 1300 l/min (at P1 = 6 bar, delta p = 1 bar)

### accessories



- P/E Wandler: [PE.310](#)

type	part-number	description
Z.01	9.4001.00.300	Distributor small G1/4

## Distributor small | BG1



Image shows:  
9.4011.00.300

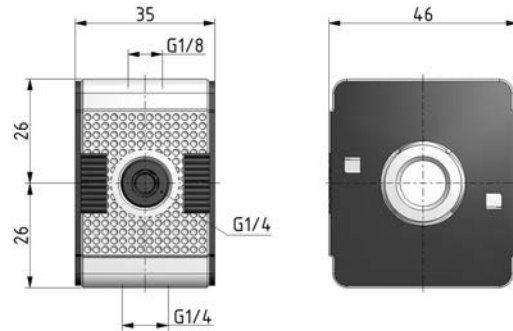
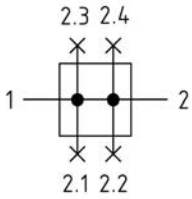


Image shows:  
9.4011.00.300

### symbol



### technical data

- **description:** cross manifold (manifold block)
- **medium:** compressed air, neutral gases
- **supply pressure P1 max.:** 16 bar
- **temperature range:** -10°C - +60°C
- **flow rate 1 => 2:** 3300 l/min
- **flow rate below 1 => 2.1:** Qn = 2300 l/min (at P1 = 6 bar, delta p = 1 bar)
- **flow rate top 1 => 2.2:** Qn = 1100 l/min (at P1 = 6 bar, delta p = 1 bar)
- **flow rate front 1 => 2.3:** Qn = 2300 l/min (at P1 = 6 bar, delta p = 1 bar)
- **flow rate back 1 => 2.4:** Qn = 2300 l/min (at P1 = 6 bar, delta p = 1 bar)

### accessories



- Druckschalter: [PE.10](#)

type	part-number	description
Z.11	9.4011.00.300	Distributor small G1/4

Service 3 unit

Service 2 unit

Filter regulator

Filter

Pressure regulator

Lubricator

System extensions

Accessories

Special products

## Distributor small | BG3



Image shows:  
9.4033.00.300

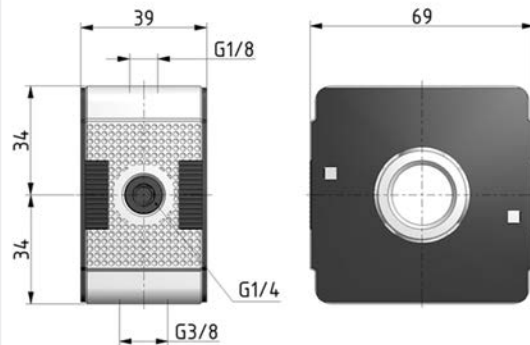
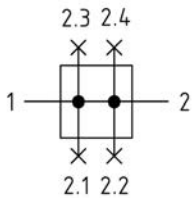


Image shows:  
9.4033.00.300

### symbol



### technical data

- **description:** cross manifold (manifold block)
- **medium:** compressed air, neutral gases
- **supply pressure P1 max.:** 16 bar
- **temperature range:** -10°C - +60°C
- **flow rate 1 => 2:** 11000 l/min
- **flow rate below 1 => 2.1:** Qn = 3450 l/min (at P1 = 6 bar, delta p = 1 bar)
- **flow rate top 1 => 2.2:** Qn = 1400 l/min (at P1 = 6 bar, delta p = 1 bar)
- **flow rate front 1 => 2.3:** Qn = 2600 l/min (at P1 = 6 bar, delta p = 1 bar)
- **flow rate back 1 => 2.4:** Qn = 2600 l/min (at P1 = 6 bar, delta p = 1 bar)

### accessories



- Druckschalter: [PE\\_10](#)

### type

Z.33

### part-number

9.4033.00.300

### description

Distributor small G1/2

## Distributor small | BG5



Image shows:  
9.4055.00.300

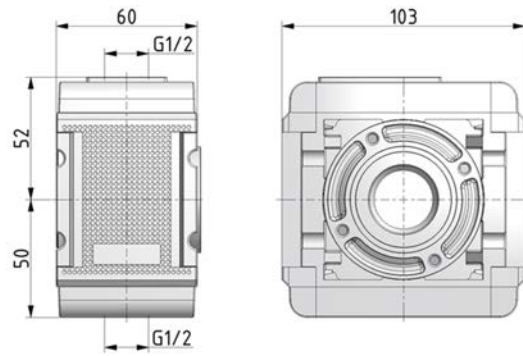
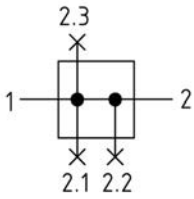


Image shows:  
9.4055.00.300

### symbol



### technical data

- **description:** cross manifold (manifold block)
- **medium:** compressed air, neutral gases
- **supply pressure P1 max.:** 16 bar
- **temperature range:** -10°C - +60°C
- **flow rate 1 => 2:** 25000 l/min
- **flow rate below 1 => 2.1:** Qn = 10000 l/min (at P1 = 6 bar, delta p = 1 bar)
- **flow rate top 1 => 2.2:** Qn = 600 l/min + 10000 l/min (at P1 = 6 bar, delta p = 1 bar)

### accessories



- Druckschalter: [PE.10](#)



- einseitige Anschlussplatte: [AP.54](#) (G 3/4) oder [AP.55](#) (G 1)



- beidseitige Anschlussplatten: [AP.54](#) (G 3/4) oder [AP.55](#) (G 1)

### type

Z.5-

### part-number

9.4055.00.300

### description

Distributor small G1 without connection plate

Service 3 unit

Service 2 unit

Filter regulator

Filter

Pressure regulator

Lubricator

System extensions

Accessories

Special products



## Distributor | BG1



Image shows:  
9.4011.200

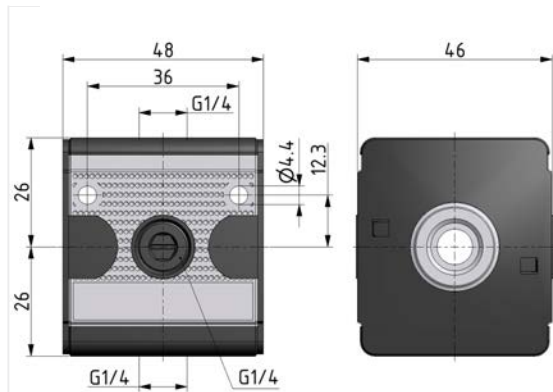
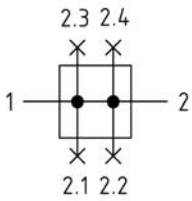


Image shows:  
9.4011.200

### symbol



### technical data

- **description:** air distribution block (manifold block)
- **medium:** compressed air, neutral gases
- **supply pressure P1 max.:** 16 bar
- **temperature range:** -10°C - +60°C
- **flow rate 1 => 2:** 2500 l/min
- **flow rate below 1 => 2.1:** Qn = 2000 l/min (at P1 = 6 bar, delta p = 1 bar)
- **flow rate top 1 => 2.2:** Qn = 2000 l/min (at P1 = 6 bar, delta p = 1 bar)
- **flow rate front 1 => 2.3:** Qn = 900 l/min (at P1 = 6 bar, delta p = 1 bar)
- **flow rate back 1 => 2.4:** Qn = 900 l/min (at P1 = 6 bar, delta p = 1 bar)

### accessories



- **mounting bracket:** [ZW.11-1](#)

type	part-number	description
T.11	9.4011.200	Distributor G1/4
T.12	9.4012.200	Distributor G3/8

## Distributor | BG3

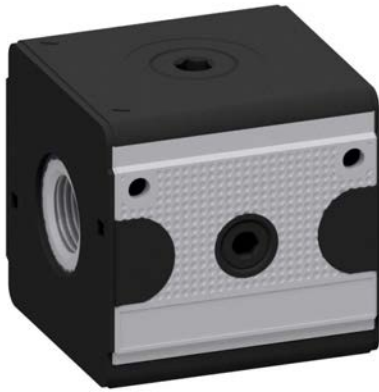


Image shows:  
9.4033.200

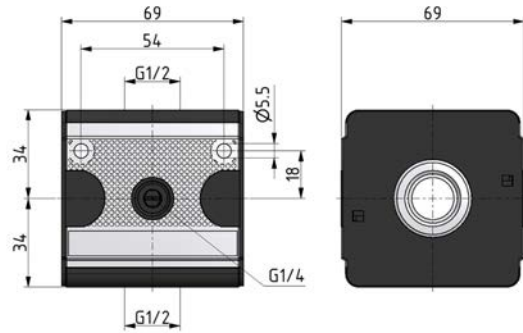
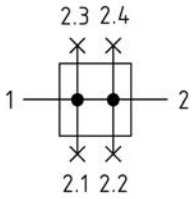


Image shows:  
9.4033.200

### symbol



### technical data

- **description:** air distribution block (manifold block)
- **medium:** compressed air, neutral gases
- **supply pressure P1 max.:** 16 bar
- **temperature range:** -10°C - +60°C
- **flow rate 1 => 2:** 11000 l/min
- **flow rate below 1 => 2.1:** Qn = 8750 l/min (at P1 = 6 bar, delta p = 1 bar)
- **flow rate top 1 => 2.2:** Qn = 8750 l/min (at P1 = 6 bar, delta p = 1 bar)
- **flow rate front 1 => 2.3:** Qn = 1300 l/min (at P1 = 6 bar, delta p = 1 bar)
- **flow rate back 1 => 2.4:** Qn = 1300 l/min (at P1 = 6 bar, delta p = 1 bar)

### accessories



- **mounting bracket:** [ZW.33-1](#)

type	part-number	description
T.33	9.4033.200	Distributor G1/2
T.34	9.4034.200	Distributor G3/4

Service 3 unit

Service 2 unit

Filter regulator

Filter

Pressure regulator

Lubricator

System extensions

Accessories

Special products

## Distributor | BG4



Image shows:  
9.4044.200

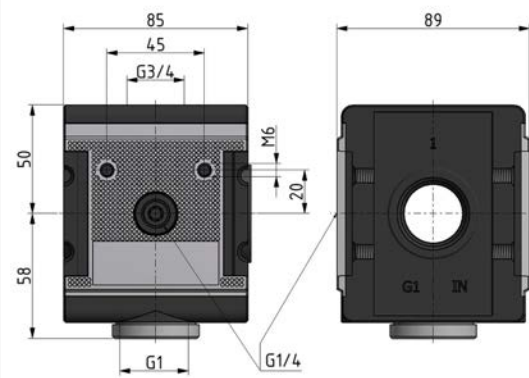
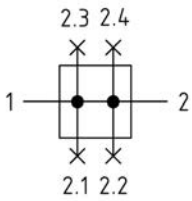


Image shows:  
9.4044.200

### symbol



### technical data

- **description:** air distribution block (manifold block)
- **medium:** compressed air, neutral gases
- **supply pressure P1 max.:** 16 bar
- **temperature range:** -10°C - +60°C
- **flow rate 1 => 2:** 18000 l/min
- **flow rate below 1 => 2.1:** Qn = 12000 l/min (at P1 = 6 bar, delta p = 1 bar)
- **flow rate top 1 => 2.2:** Qn = 8500 l/min (at P1 = 6 bar, delta p = 1 bar)
- **flow rate front 1 => 2.3:** Qn = 2600 l/min (at P1 = 6 bar, delta p = 1 bar)
- **flow rate back 1 => 2.4:** Qn = 2600 l/min (at P1 = 6 bar, delta p = 1 bar)

### accessories



- **mounting bracket:** [ZW.45](#)

type	part-number	description
T.44	9.4044.200	Distributor G3/4
T.45	9.4045.200	Distributor G1

## Non return valve | BG1



Image shows:  
9.4011.100

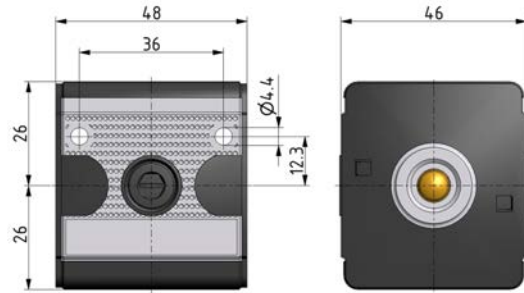
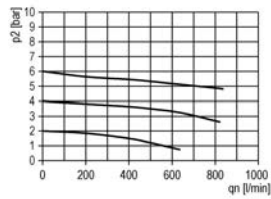
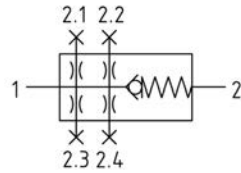


Image shows:  
9.4011.100

### flow characteristic



### symbol



### technical data

- **description:** poppet valve, spring loaded
- **medium:** compressed air, neutral gases
- **supply pressure P1 min.:** 0,1 bar
- **supply pressure P1 max.:** 16 bar
- **temperature range:** -10°C - +60°C
- **flow rate 1 => 2:** 700 l/min
- **flow rate below 1 => 2.1:** Qn = 675 l/min (at P1 = 6 bar, delta p = 1 bar)
- **flow rate top 1 => 2.2:** Qn = 675 l/min (at P1 = 6 bar, delta p = 1 bar)
- **flow rate front 1 => 2.3:** Qn = 450 l/min (at P1 = 6 bar, delta p = 1 bar)
- **flow rate back 1 => 2.4:** Qn = 450 l/min (at P1 = 6 bar, delta p = 1 bar)

### accessories



- **mounting bracket:** [ZW.11-1](#)

type	part-number	description
V.11	9.4011.100	Non-return valve G 1/4
V.12	9.4012.100	Non return valve G3/8

Service 3 unit

Service 2 unit

Filter regulator

Filter

Pressure regulator

Lubricator

System extensions

Accessories

Special products

## Non return valve | BG3

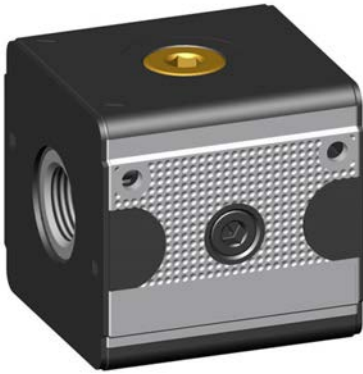


Image shows:  
9.4033.100

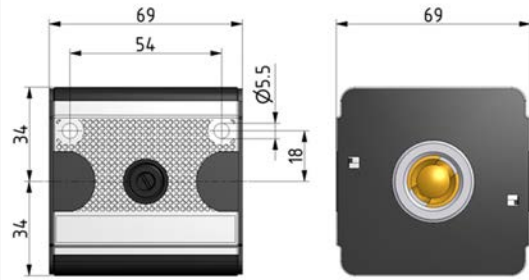
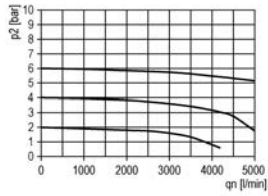
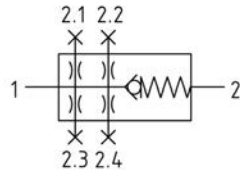


Image shows:  
9.4033.100

### flow characteristic



### symbol



### technical data

- **description:** poppet valve, spring loaded
- **medium:** compressed air, neutral gases
- **supply pressure P1 min.:** 0,1 bar
- **supply pressure P1 max.:** 16 bar
- **temperature range:** -10°C - +60°C
- **flow rate 1 => 2:** 6000 l/min
- **flow rate below 1 => 2.1:** Qn = 2400 l/min (at P1 = 6 bar, delta p = 1 bar)
- **flow rate top 1 => 2.2:** Qn = 2400 l/min (at P1 = 6 bar, delta p = 1 bar)
- **flow rate front 1 => 2.3:** Qn = 1020 l/min (at P1 = 6 bar, delta p = 1 bar)
- **flow rate back 1 => 2.4:** Qn = 1020 l/min (at P1 = 6 bar, delta p = 1 bar)

### accessories



- **mounting bracket:** [ZW.33-1](#)

type	part-number	description
V.33	9.4033.100	Non return valve G1/2
V.34	9.4034.100	Non return valve G3/4

## Mounting kit | BGO

Service 3 unit

Service 2 unit



Image shows:  
9.9700.00.000

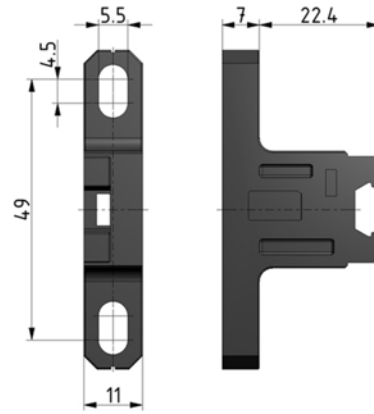


Image shows:  
9.9700.00.000

Filter regulator

Filter

Pressure regulator

Lubricator

System extensions

### technical data

- **description:** fixing bracket
- **material:** PA 66
- **fixing:** mounting with 2 screws

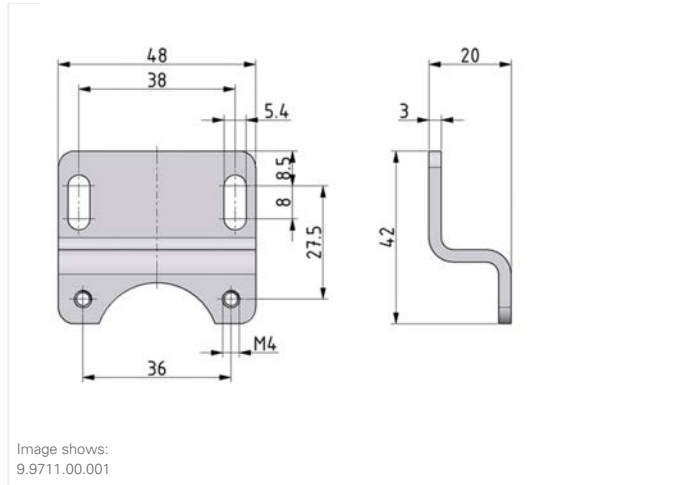
### accessories

type	part-number	description
ZW.00-1	9.9700.00.000	Mounting bracket (2x console with sliding wedge)

Accessories

Special products

## Bracket kit | BG1



### technical data

- **description:** Mounting bracket
- **material:** steel galvanized
- **fixing:** mounting with 2 screws

### accessories

type	part-number	description
ZW.11-1	9.9711.00.001	Mounting bracket (ZW.11+2x screw M4x50 DIN912)

Service 3 unit

Service 2 unit

Filter regulator

Filter

Pressure regulator

Lubricator

System extensions

Accessories

Special products

## Bracket kit | BG2

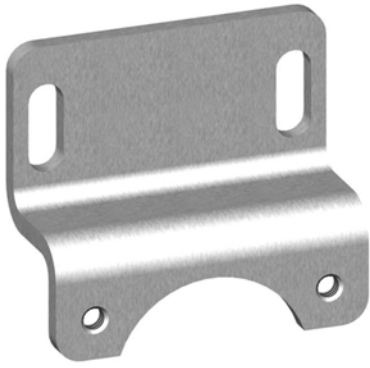


Image shows:  
9.9722.00.001

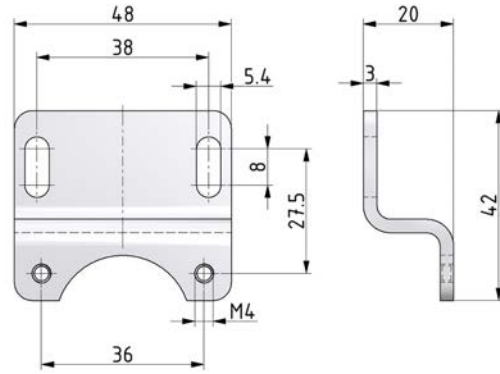


Image shows:  
9.9722.00.001

Service 3 unit

Service 2 unit

Filter regulator

Filter

Pressure regulator

Lubricator

System extensions

Accessories

Special products

### technical data

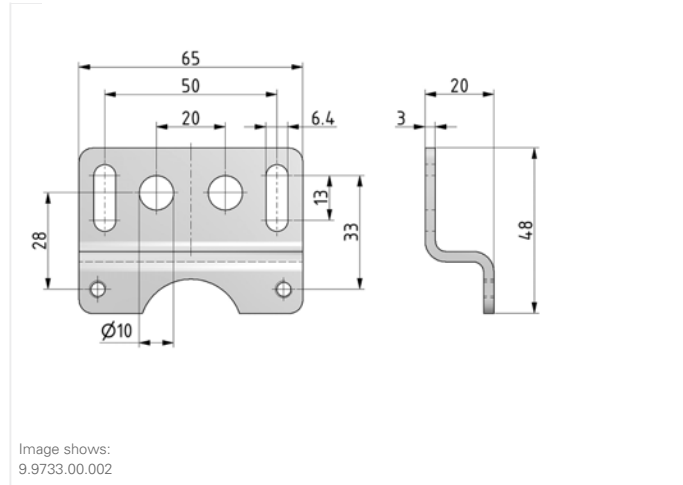
- **description:** Mounting bracket
- **material:** steel galvanized
- **fixing:** mounting with 2 screws

### accessories

type	part-number	description
ZW.22-1	9.9722.00.001	Mounting bracket (ZW.11+2x screw M4x60 DIN912)



## Bracket kit | BG3



### technical data

- **description:** Mounting bracket
- **material:** steel galvanized
- **fixing:** mounting with 2 screws

### accessories

type	part-number	description
ZW.33-1	9.9733.00.002	Mounting bracket (ZW.33+2x screw M5x75 DIN912)

## Bracket kit | BG4

Service 3 unit

Service 2 unit

Filter regulator

Filter

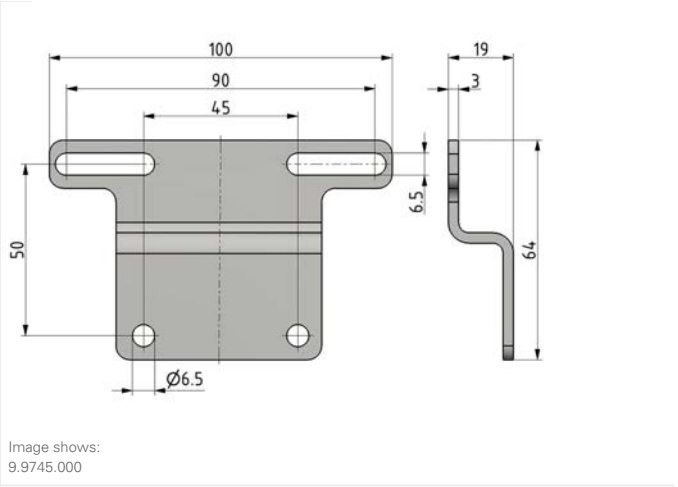
Pressure regulator

Lubricator

System extensions

Accessories

Special products



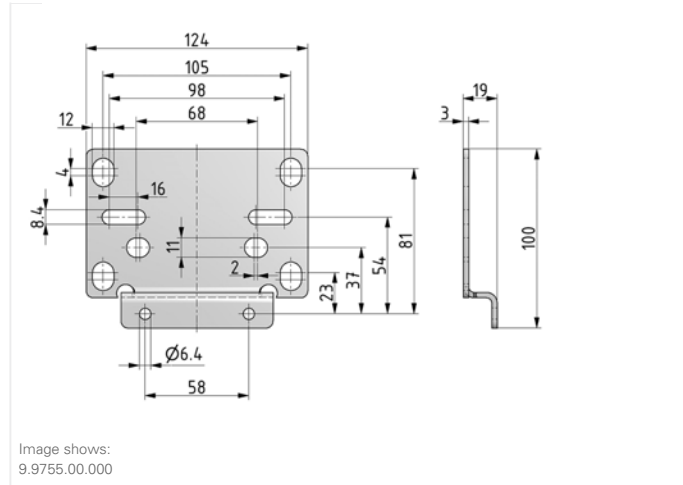
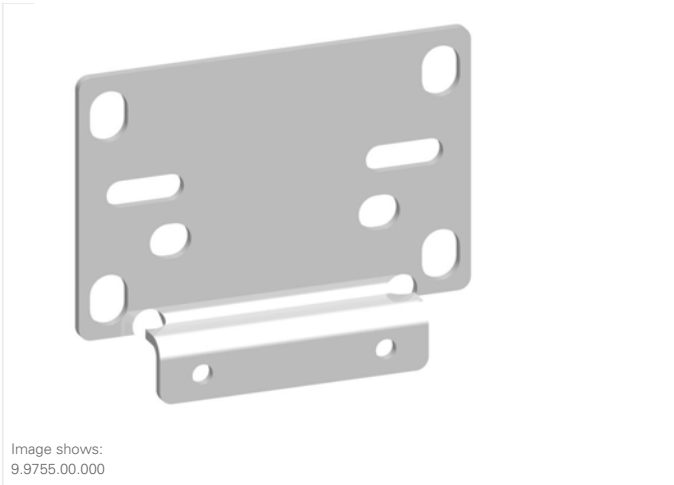
**technical data**

- **description:** Mounting bracket
- **material:** steel galvanized
- **fixing:** mounting with 2 screws

**accessories**

type	part-number	description
ZW.45	9.9745.000	Mounting bracket (ZW.45+2x screw M6x12 DIN912)

## Bracket kit | BG5



### technical data

- **description:** Mounting bracket
- **material:** steel galvanized
- **fixing:** mounting with 2 screws

### accessories

type	part-number	description
ZW.55	9.9755.00.000	Mounting bracket (ZW.55+2x screw M6x12 DIN912)

Service 3 unit

Service 2 unit

Filter regulator

Filter

Pressure regulator

Lubricator

System extensions

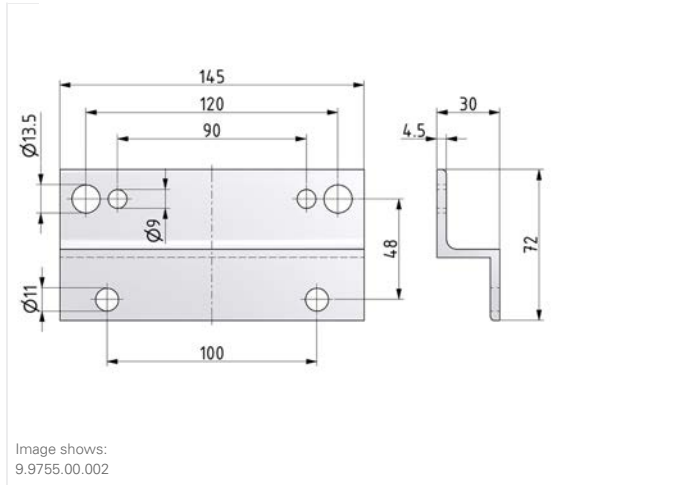
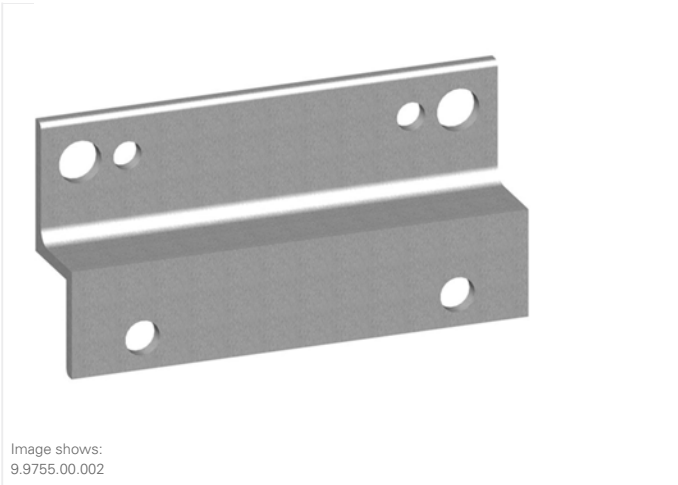
Accessories

Special products

## Bracket kit | ZFL.55

Service 3 unit

Service 2 unit



Filter regulator

Filter

### technical data

- **description:** Mounting bracket
- **material:** steel galvanized
- **fixing:** mounting with 2 screws

Pressure regulator

Lubricator

System extensions

### accessories

#### type

ZFL.55-22

#### part-number

9.9755.00.002

#### description

Mounting bracket (ZFL.55-22+4x screw M10x25 DIN933+4x10 ISO7090)

Accessories

Special products

## Mounting bracket for panel mounting | BG0, BG1



Image shows:  
9.9911.00.023

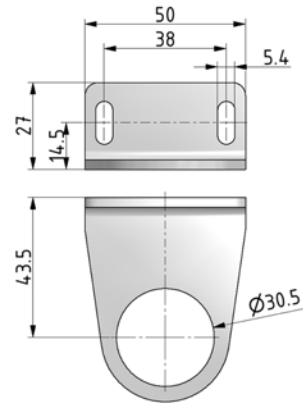


Image shows:  
9.9911.00.023

### technical data

- **description:** Mounting bracket for panel mounting
- **material:** steel galvanized
- **fixing:** control panel nut and 2 screws for fixation to wall

### accessories

#### type

MW.30/DR.00-34-2

#### part-number

9.9911.00.023

#### description

Bracket galvanized and nut M30x1,5

Service 3 unit

Service 2 unit

Filter regulator

Filter

Pressure regulator

Lubricator

System extensions

Accessories

Special products

## Mounting bracket for panel mounting | BG3



Image shows:  
9.9933.00.024

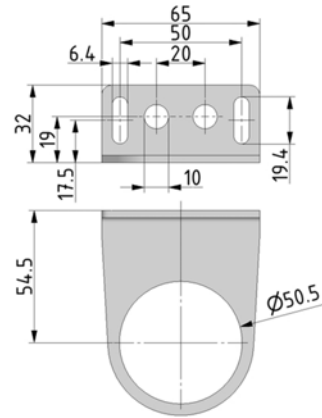


Image shows:  
9.9933.00.024

Service 3 unit

Service 2 unit

Filter regulator

Filter

Pressure regulator

Lubricator

System extensions

Accessories

Special products

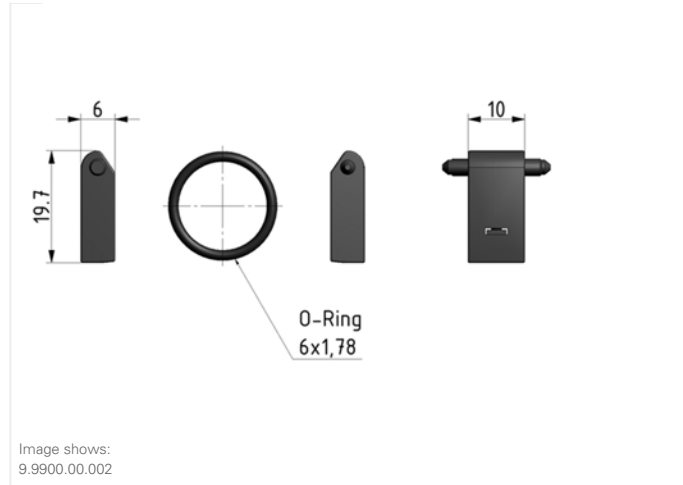
### technical data

- **description:** Mounting bracket for panel mounting
- **material:** steel galvanized
- **fixing:** control panel nut and 2 screws for fixation to wall

### accessories

type	part-number	description
MW.50/C.33-42	9.9933.00.024	Mounting bracket and panel mounting ring M50x1.5 packed in a bag

## Coupling kit | BG0



### technical data

- **description:** Coupling kit
- **fixing:** for components to be connected in Multi-Fix series 0
- **material clamp:** PA
- **material o-ring:** NBR

### accessories

type	part-number	description
KP.00	9.9900.00.002	Coupling kit BG0 (2x clamp C.00-47; 1x o-ring 15,6x1,78 C.11-92)

Service 3 unit

Service 2 unit

Filter regulator

Filter

Pressure regulator

Lubricator

System extensions

Accessories

Special products

## Coupling kit | BG1



Image shows:  
9.9911.00.000

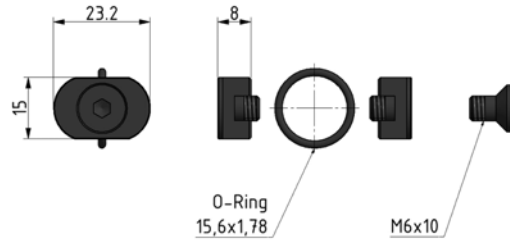


Image shows:  
9.9911.00.000

Service 3 unit

Service 2 unit

Filter regulator

Filter

Pressure regulator

Lubricator

System extensions

Accessories

Special products

### technical data

- **description:** Coupling kit
- **fixing:** for components to be connected in Multi-Fix series 1
- **material clamp:** Z 410
- **material screws:** steel
- **material o-ring:** NBR
- **except:** distribution manifold block (narrow) Z.11

### accessories

type	part-number	description
KP.11	9.9911.00.000	Coupling kit BG1



## Coupling kit | BG3



Image shows:  
9.9933.00.000

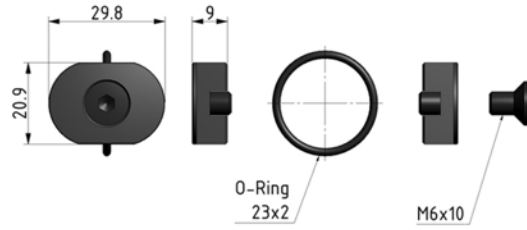


Image shows:  
9.9933.00.000

### technical data

- **description:** Coupling kit
- **fixing:** for components to be connected in Multi-Fix series 3
- **material clamp:** Z 410
- **material screws:** steel
- **material o-ring:** NBR
- **except:** distribution manifold block (narrow) Z.33

### accessories

type	part-number	description
KP.33	9.9933.00.000	Coupling kit BG3 (2x clamp C.33-47; 2x screw C.11-46; 1x o-ring 23x2 C.33-53; 1x o-ring 29,87x1,78 K.33-3)

Service 3 unit

Service 2 unit

Filter regulator

Filter

Pressure regulator

Lubricator

System extensions

Accessories

Special products

## Coupling kit | BG4



Image shows:  
9.9945.001

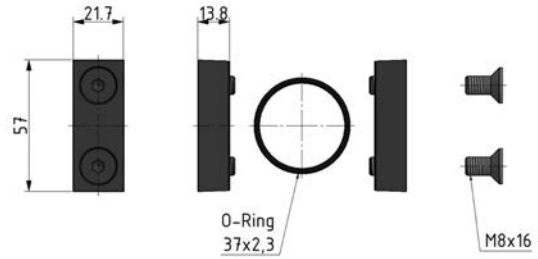


Image shows:  
9.9945.001

### technical data

- **description:** Coupling kit
- **fixing:** Verblockung von Geräten der Multi-Fix BG4
- **material clamp:** Z 410
- **material screws:** steel
- **material o-ring:** NBR

### accessories

type	part-number	description
KP.45	9.9945.001	Coupling kit BG4 (2x clamp C.45-6; 4x screw C.55-46; 1x o-ring 37x2,3 C.55-52)

Service 3 unit

Service 2 unit

Filter regulator

Filter

Pressure regulator

Lubricator

System extensions

Accessories

Special products

## Coupling kit | BG5



Image shows:  
9.9955.00.012

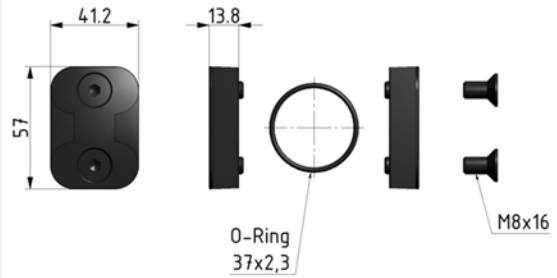


Image shows:  
9.9955.00.012

### technical data

- **description:** Coupling kit
- **fixing:** for components to be connected in Multi-Fix series 5
- **material clamp:** Z 410
- **material screws:** steel
- **material o-ring:** NBR
- **except:** distribution manifold block (narrow) Z.55, ball valve K.55

### accessories

type	part-number	description
KP.55	9.9955.00.012	Coupling kit BG5 (2x clamp C.55-47; 4x screw C.55-46; 1x o-ring 37x2,3 C.55-52)

Service 3 unit

Service 2 unit

Filter regulator

Filter

Pressure regulator

Lubricator

System extensions

Accessories

Special products

## Coupling kit | BG1



Image shows:  
9.9911.00.013

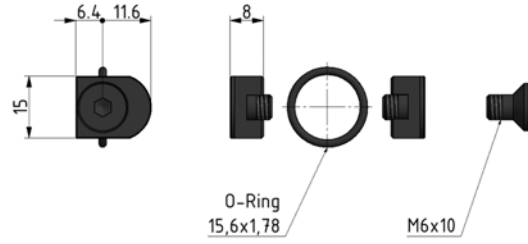


Image shows:  
9.9911.00.013

Service 3 unit

Service 2 unit

Filter regulator

Filter

Pressure regulator

Lubricator

System extensions

Accessories

Special products

### technical data

- **description:** Coupling kit
- **fixing:** for distributor Z.11 to be connected with components of Multi-Fix series 1
- **material clamp:** Z 410
- **material screws:** steel
- **material o-ring:** NBR

### accessories

type	part-number	description
KP.11 Z	9.9911.00.013	Coupling kit for distributor BG1 (2x clamp C.11-59; 2x screw C.11-46; 1x o-ring 15,6x1,78 C.11-92)

## Coupling kit | BG3

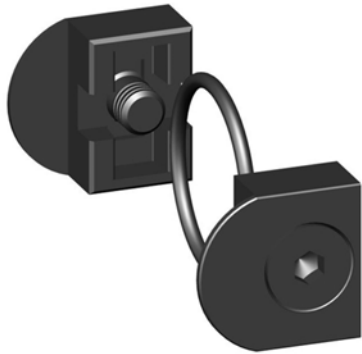


Image shows:  
9.9933.00.018

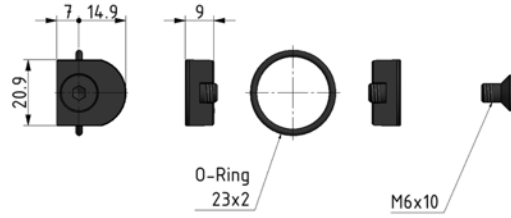


Image shows:  
9.9933.00.018

### technical data

- **description:** Coupling kit
- **fixing:** for distributor Z.33 to be connected with components of Multi-Fix series 3
- **material clamp:** Z 410
- **material screws:** steel
- **material o-ring:** NBR

### accessories

type	part-number	description
KP.33 Z	9.9933.00.018	Coupling kit for distributor BG3 (2x clamp C.33-59; 2x screw C.11-46; 1x o-ring 23x2 C.33-53)

Service 3 unit

Service 2 unit

Filter regulator

Filter

Pressure regulator

Lubricator

System extensions

Accessories

Special products

## Coupling kit | BG5



Image shows:  
9.9955.00.013

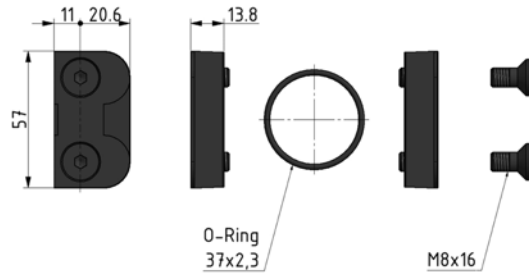


Image shows:  
9.9955.00.013

Service 3 unit

Service 2 unit

Filter regulator

Filter

Pressure regulator

Lubricator

System extensions

Accessories

Special products

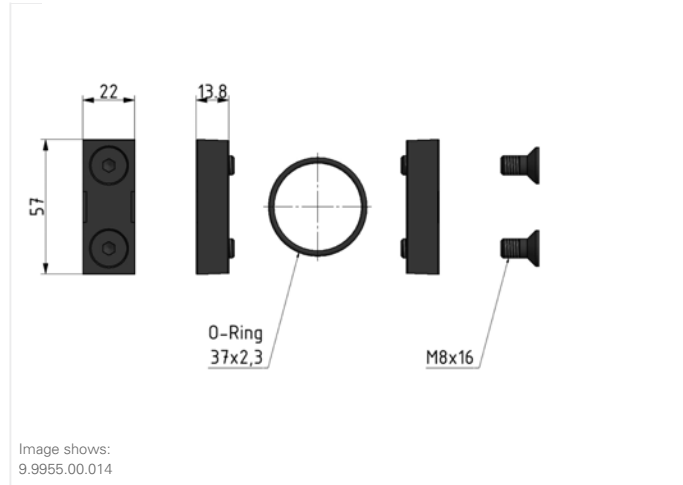
### technical data

- **description:** Coupling kit
- **fixing:** for distributor Z.55 or ball valve K.55 to be connected with components of Multi-Fix series 5
- **material clamp:** Z 410
- **material screws:** steel
- **material o-ring:** NBR

### accessories

type	part-number	description
KP.55 Z	9.9955.00.013	Coupling kit for distributor BG5 (2x clamp K.55-6; 4x screw C.55-46; 1x o-ring 37x2,3 C.55-52)

## Coupling kit | BG5



### technical data

- **description:** Coupling kit
- **fixing:** for distributor Z.55 or ball valve K.55 to be connected with connection plate AP.55 of Multi-Fix series 5
- **material clamp:** Z 410
- **material screws:** steel
- **material o-ring:** NBR

### accessories

type	part-number	description
KP.55 2Z	9.9955.00.014	Coupling kit for distributor BG5 (double side) (2x clamp C.45-6; 4x screw C.55-46; 1x o-ring 37x2,3 C.55-52)

Service 3 unit

Service 2 unit

Filter regulator

Filter

Pressure regulator

Lubricator

System extensions

Accessories

Special products

## Gauge for setting knob integration | BG0



Image shows:  
9.3700.00.220

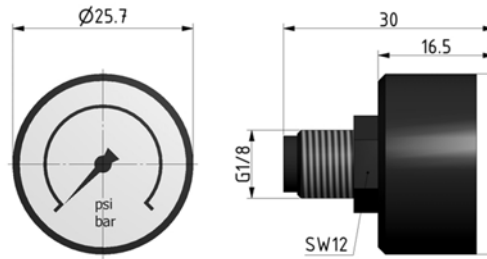


Image shows:  
9.3700.00.220

Service 3 unit

Service 2 unit

Filter regulator

Filter

Pressure regulator

Lubricator

System extensions

Accessories

Special products

### technical data

- **description:** bourdon tube pressure gauge (EN 837-1), pressure connection on the back
- **temperature range:** -10°C - +60°C
- **diameter:** ø25
- **scale ranges (EN 837-1):** 0 - 10 bar
- **accuracy:** ±4 %
- **case:** black plastic
- **window:** snap fit window of clear plastic
- **working pressure, steady:** 0 - 7,5 bar
- **working pressure, fluctuating:** 0 - 6,5 bar
- **temperature effect:** when temperature of the pressure element deviates from reference temperature (+20°C): max. ±0,4%/10°C of the span

### accessories

type	part-number	description
G 25.6/10 R	9.3700.00.220	Gauge G1/8 dm 25mm
G 25.1,5/2,5 R	9.3700.00.221	Gauge G1/8 dm 25mm
G 25.2,5/4 R	9.3700.00.222	Gauge G1/8 dm 25mm
G 25.3/6 R	9.3700.00.224	Gauge G1/8 dm 25mm
G 25.10/16 R	9.3700.00.228	Gauge G1/8 dm 25mm



## Gauge | BGO



Image shows:  
9.3700.00.012

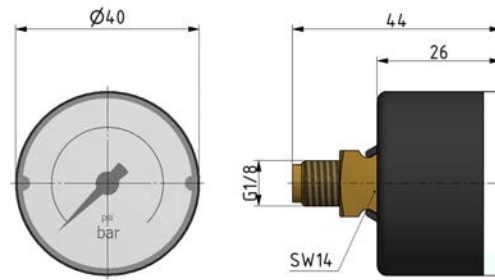


Image shows:  
9.3700.00.012

### technical data

- **description:** bourdon tube pressure gauge (EN 837-1), pressure connection on the back
- **temperature range:** -10°C - +60°C
- **diameter:** Ø40
- **scale ranges (EN 837-1):** 0 - 16 bar
- **accuracy class:** 2,5 (EN 837-1 /6)
- **case:** black plastic
- **window:** snap fit window of clear plastic
- **working pressure, steady:** 0 - 12 bar
- **working pressure, fluctuating:** 0 - 10,5 bar
- **temperature effect:** when temperature of the pressure element deviates from reference temperature (+20°C): max. ±0,4%/10°C of the span

### accessories

type	part-number	description
G 40.16 R	9.3700.00.012	Gauge G1/8 Knocks instrument dial light grey
G 40.10 R	9.3700.00.013	Gauge G1/8 Knocks instrument dial light grey
G 40.6 R	9.3700.00.014	Gauge G1/8 Knocks instrument dial light grey
G 40.4 R	9.3700.00.015	Gauge G1/8 Knocks instrument dial light grey

Service 3 unit

Service 2 unit

Filter regulator

Filter

Pressure regulator

Lubricator

System extensions

Accessories

Special products

## Gauge | BG1, BG2, BG3



Image shows:  
9.3700.00.110

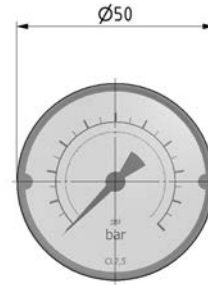
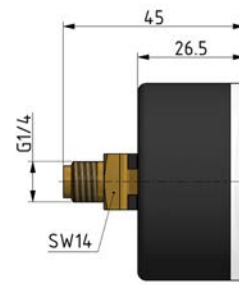


Image shows:  
9.3700.00.110



Service 3 unit

Service 2 unit

Filter regulator

Filter

Pressure regulator

Lubricator

System extensions

Accessories

Special products

### technical data

- **description:** bourdon tube pressure gauge (EN 837-1), pressure connection on the back
- **temperature range:** -10°C - +60°C
- **diameter:** Ø50
- **scale ranges (EN 837-1):** 0 - 16 bar
- **accuracy class:** 2,5 (EN 837-1 /6)
- **case:** black plastic
- **window:** snap fit window of clear plastic
- **working pressure, steady:** 0 - 12 bar
- **working pressure, fluctuating:** 0 - 10,5 bar
- **temperature effect:** when temperature of the pressure element deviates from reference temperature (+20°C): max. ±0,4%/10°C of the span

### accessories

type	part-number	description
G 50.16 R	9.3700.00.110	Gauge G1/4 Knocks instrument dial light grey
G 50.10 R	9.3700.00.111	Gauge G1/4 Knocks instrument dial light grey
G 50.6 R	9.3700.00.112	Gauge G1/4 Knocks instrument dial light grey
G 50.25 R	9.3700.00.113	Gauge G1/4 Knocks instrument dial light grey
G 50.2,5 R	9.3700.00.114	Gauge G1/4 Knocks instrument dial light grey
G 50.4 R	9.3700.00.116	Gauge G1/4 Knocks instrument dial light grey

## Gauge | BG5



Image shows:  
9.3700.00.243

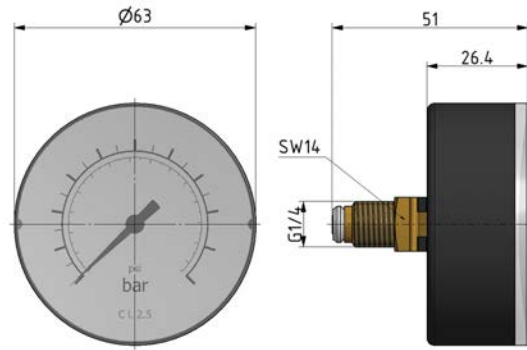


Image shows:  
9.3700.00.243

### technical data

- **description:** bourdon tube pressure gauge (EN 837-1), pressure connection on the back
- **temperature range:** -10°C - +60°C
- **diameter:** Ø63
- **scale ranges (EN 837-1):** 0 - 16 bar
- **accuracy class:** 2,5 (EN 837-1 /6)
- **case:** black plastic
- **window:** snap fit window of clear plastic
- **working pressure, steady:** 0 - 12 bar
- **working pressure, fluctuating:** 0 - 10,5 bar
- **temperature effect:** when temperature of the pressure element deviates from reference temperature (+20°C): max. ±0,4%/10°C of the span

### accessories

type	part-number	description
G 63.16 R	9.3700.00.243	Gauge G1/4 Knocks instrument dial light grey
G 63.25 R	9.3700.00.244	Gauge G1/4 Knocks instrument dial light grey
G 63.6 R	9.3700.00.245	Gauge G1/4 Knocks instrument dial light grey
G 63.10 R	9.3700.00.246	Gauge G1/4 Knocks instrument dial light grey

Service 3 unit

Service 2 unit

Filter regulator

Filter

Pressure regulator

Lubricator

System extensions

Accessories

Special products

## Bowl | BGO



Image shows:  
9.9900.00.038

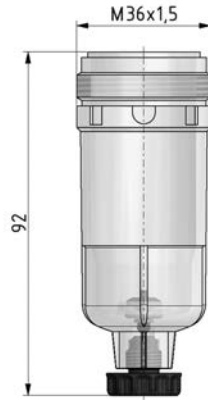


Image shows:  
9.9900.00.038

Service 3 unit

Service 2 unit

Filter regulator

Filter

Pressure regulator

Lubricator

System extensions

Accessories

Special products

### technical data

- supply pressure P1 min.: 1,5 bar
- supply pressure P1 max.: 12 bar
- temperature range: -10°C - +50°C
- bowl: PC
- drain: HA
- fixing: screw thread

### accessories

type	part-number	description
C.00 HA4	9.9900.00.038	PC bowl with semi automatic drain and o-ring 30x2

## Bowl | BGO



Image shows:  
8.2100.96.001.2



Image shows:  
8.2100.96.001.2

### technical data

- supply pressure P1 min.: 1,5 bar
- supply pressure P1 max.: 12 bar
- temperature range: -10°C - +50°C
- bowl: metal bowl
- drain: HA
- fixing: screw thread

### accessories

type	part-number	description
C.00 M HA4	8.2100.96.001.2	Metal bowl with semi automatic drain and o-ring 30x2

Service 3 unit

Service 2 unit

Filter regulator

Filter

Pressure regulator

Lubricator

System extensions

Accessories

Special products

## Bowl | BGO



Image shows:  
9.9900.00.019

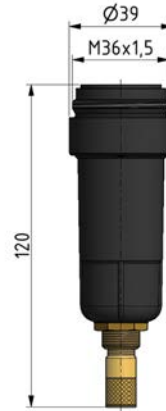


Image shows:  
9.9900.00.019

Service 3 unit

Service 2 unit

Filter regulator

Filter

Pressure regulator

Lubricator

System extensions

Accessories

Special products

### technical data

- supply pressure P1 min.: 1,5 bar
- supply pressure P1 max.: 12 bar
- temperature range: -10°C - +50°C
- bowl: metal bowl
- drain: AM NO
- fixing: screw thread

### accessories

type	part-number	description
C.00 M AM10	9.9900.00.019	Metal bowl with automatic drain and o-ring 30x2
C.00 M AM10/NC	9.9900.00.052	Metal bowl with automatic drain (usually closed) and o-ring 30x2

## Bowl | BG0, BG1



Image shows:  
8.2111.84.002



Image shows:  
8.2111.84.002

### technical data

- supply pressure P1 min.: 1,5 bar
- supply pressure P1 max.: 12 bar
- temperature range: -10°C - +50°C
- bowl: PC
- drain: AM NO
- fixing: screw thread

### accessories

type	part-number	description
C.11 AM10	8.2111.84.002	PC bowl with automatic drain and o-ring 30x2
C.11 AM10/NC	9.9911.00.030	PC bowl with automatic drain (usually closed) and o-ring 30x2

Service 3 unit

Service 2 unit

Filter regulator

Filter

Pressure regulator

Lubricator

System extensions

Accessories

Special products

## Bowl | BG1

Service 3 unit

Service 2 unit



Image shows:  
8.2111.84.000/V

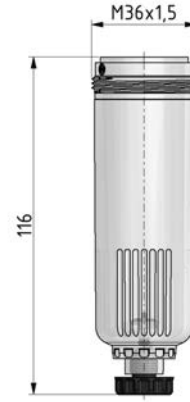


Image shows:  
8.2111.84.000/V

Filter regulator

Filter

Pressure regulator

Lubricator

System extensions

Accessories

Special products

### technical data

- supply pressure P1 min.: 1,5 bar
- supply pressure P1 max.: 16 bar
- temperature range: -10°C - +60°C
- bowl: PC
- drain: HA
- fixing: screw thread

### accessories

type	part-number	description
C.11 HA4	8.2111.84.000/V	PC bowl with semi automatic drain and o-ring 30x2



## Bowl | BG1



Image shows:  
8.2111.90.002



Image shows:  
8.2111.90.002

### technical data

- supply pressure P1 min.: 1,5 bar
- supply pressure P1 max.: 16 bar
- temperature range: -10°C - +60°C
- bowl: metal bowl with level indicator
- drain: AM NO
- fixing: screw thread

### accessories

type	part-number	description
C.11 H AM10	8.2111.90.002	Bowl metal/visual display with automatic drain and o-ring 30x2
C.11 H AM10/NC	8.2111.90.003	Bowl metal/visual display with automatic drain (usually closed) and o-ring 30x2

Service 3 unit

Service 2 unit

Filter regulator

Filter

Pressure regulator

Lubricator

System extensions

Accessories

Special products

## Bowl | BG1



Image shows:  
8.2111.99.000



Image shows:  
8.2111.99.000

Service 3 unit

Service 2 unit

Filter regulator

Filter

Pressure regulator

Lubricator

System extensions

Accessories

Special products

### technical data

- supply pressure P1 min.: 1,5 bar
- supply pressure P1 max.: 20 bar
- temperature range: -10°C - +60°C
- bowl: metal bowl
- drain: HA3
- fixing: bayonet catch

### accessories

type	part-number	description
C.11 M HA3	8.2111.99.000	Metal bowl with semi automatic drain and o-ring 30x2

## Bowl | BG1



Image shows:  
8.2111.90.001



Image shows:  
8.2111.90.001

### technical data

- supply pressure P1 min.: 1,5 bar
- supply pressure P1 max.: 16 bar
- temperature range: -10°C - +60°C
- bowl: metal bowl with level indicator
- drain: HA3
- fixing: bayonet catch

### accessories

type	part-number	description
C.11 H HA3	8.2111.90.001	Bowl metal/visual display with semi automatic drain and o-ring 30x2

Service 3 unit

Service 2 unit

Filter regulator

Filter

Pressure regulator

Lubricator

System extensions

Accessories

Special products

## Bowl | BG3



Image shows:  
8.2133.76.001



Image shows:  
8.2133.76.001

Service 3 unit

Service 2 unit

Filter regulator

Filter

Pressure regulator

Lubricator

System extensions

Accessories

Special products

### technical data

- supply pressure P1 min.: 1,5 bar
- supply pressure P1 max.: 16 bar
- temperature range: -10°C - +60°C
- bowl: PC
- drain: HA
- fixing: screw thread

### accessories

type	part-number	description
C.33 HA4	8.2133.76.001	PC bowl with semi automatic drain and o-ring 50x2

## Bowl | BG3



Image shows:  
8.2133.76.002/1

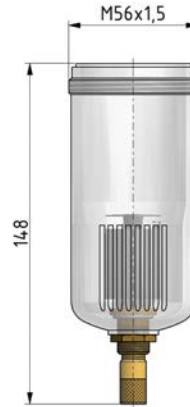


Image shows:  
8.2133.76.002/1

### technical data

- supply pressure P1 min.: 1,5 bar
- supply pressure P1 max.: 16 bar
- temperature range: -10°C - +60°C
- bowl: PC
- drain: AM NO
- fixing: screw thread

### accessories

type	part-number	description
C.33 AM10	8.2133.76.002/1	PC bowl with automatic drain and o-ring 50x2

Service 3 unit

Service 2 unit

Filter regulator

Filter

Pressure regulator

Lubricator

System extensions

Accessories

Special products

## Bowl | BG3



Image shows:  
8.2133.90.002



Image shows:  
8.2133.90.002

Service 3 unit

Service 2 unit

Filter regulator

Filter

Pressure regulator

Lubricator

System extensions

Accessories

Special products

### technical data

- supply pressure P1 min.: 1,5 bar
- supply pressure P1 max.: 16 bar
- temperature range: -10°C - +60°C
- bowl: metal bowl with level indicator
- drain: HA3
- fixing: bayonet catch

### accessories

type	part-number	description
C.33 H HA3	8.2133.90.002	Bowl metal/visual display with semi automatic drain and o-ring 50x2

## Bowl | BG3



Image shows:  
8.2133.90.001



Image shows:  
8.2133.90.001

### technical data

- supply pressure P1 min.: 1,5 bar
- supply pressure P1 max.: 16 bar
- temperature range: -10°C - +60°C
- bowl: metal bowl with level indicator
- drain: AM NO
- fixing: bayonet catch

### accessories

#### type

C.33 H AM10

#### part-number

8.2133.90.001

#### description

Bowl metal/visual display with automatic drain and o-ring 50x2

Service 3 unit

Service 2 unit

Filter regulator

Filter

Pressure regulator

Lubricator

System extensions

Accessories

Special products

## Bowl | BG4



Image shows:  
90004.0210

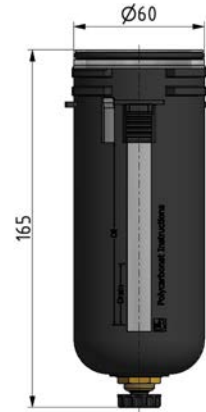


Image shows:  
90004.0210

Service 3 unit

Service 2 unit

Filter regulator

Filter

Pressure regulator

Lubricator

System extensions

Accessories

Special products

### technical data

- supply pressure P1 min.: 1,5 bar
- supply pressure P1 max.: 16 bar
- temperature range: -10°C - +60°C
- bowl: PC with PA bowl guard
- drain: HA3
- fixing: bayonet catch

### accessories

type	part-number	description
BE.4 HA3	90004.0210	PC bowl with black bowl guard, semi automatic drain and o-ring 55x2,5



## Bowl | BG4



Image shows:  
90004.0211

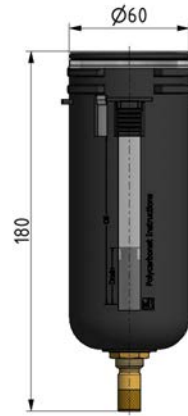


Image shows:  
90004.0211

### technical data

- supply pressure P1 min.: 1,5 bar
- supply pressure P1 max.: 16 bar
- temperature range: -10°C - +60°C
- bowl: PC with PA bowl guard
- drain: AM NO
- fixing: bayonet catch

### accessories

#### type

BE.4 AM10

#### part-number

90004.0211

#### description

PC bowl with black bowl guard, automatic drain and o-ring 55x2,5

Service 3 unit

Service 2 unit

Filter regulator

Filter

Pressure regulator

Lubricator

System extensions

Accessories

Special products

## Bowl | BG4



Image shows:  
90004.0220.2



Image shows:  
90004.0220.2

Service 3 unit

Service 2 unit

Filter regulator

Filter

Pressure regulator

Lubricator

System extensions

Accessories

Special products

### technical data

- supply pressure P1 min.: 1,5 bar
- supply pressure P1 max.: 16 bar
- temperature range: -10°C - +60°C
- bowl: metal bowl with level indicator
- drain: HA3
- fixing: bayonet catch

### accessories

type	part-number	description
BE.4 H HA3	90004.0220.2	Bowl metal/visual display (black) with semi automatic drain and o-ring 55x2,5

# Bowl | BG4



Image shows:  
90004.0221.2



Image shows:  
90004.0221.2

### technical data

- supply pressure P1 min.: 1,5 bar
- supply pressure P1 max.: 16 bar
- temperature range: -10°C - +60°C
- bowl: metal bowl with level indicator
- drain: AM NO
- fixing: bayonet catch

### accessories

type	part-number	description
BE.4 H AM10	90004.0221.2	Bowl metal/visual display (black) with automatic drain and o-ring 55x2,5

## Oil bowl | BGO



Image shows:  
9.9900.00.040

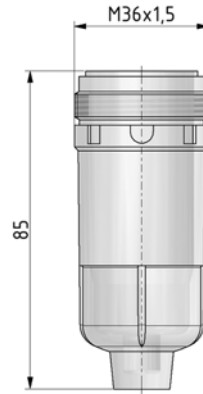


Image shows:  
9.9900.00.040

Service 3 unit

Service 2 unit

Filter regulator

Filter

Pressure regulator

Lubricator

System extensions

Accessories

Special products

### technical data

- supply pressure P1 max.: 12 bar
- temperature range: -10°C - +50°C
- bowl: PC
- fixing: screw thread

### accessories

type	part-number	description
L.00	9.9900.00.040	PC oil bowl with o-ring 30x2

## Oil bowl | BGO



Image shows:  
9.9900.00.041

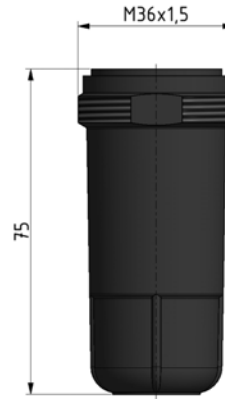


Image shows:  
9.9900.00.041

### technical data

- supply pressure P1 max.: 12 bar
- temperature range: -10°C - +50°C
- bowl: metal bowl
- fixing: screw thread

### accessories

type	part-number	description
L.00 M	9.9900.00.041	Metal oil bowl black with o-ring 30x2

Service 3 unit

Service 2 unit

Filter regulator

Filter

Pressure regulator

Lubricator

System extensions

Accessories

Special products

## Oil bowl | BG1

Service 3 unit

Service 2 unit



Image shows:  
8.2511.09.000/V

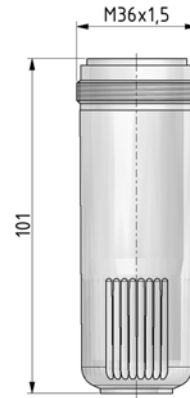


Image shows:  
8.2511.09.000/V

Filter regulator

Filter

Pressure regulator

Lubricator

System extensions

Accessories

Special products

### technical data

- supply pressure P1 max.: 16 bar
- temperature range: -10°C - +60°C
- bowl: PC
- fixing: screw thread

### accessories

type	part-number	description
L.11	8.2511.09.000/V	PC oil bowl with o-ring 30x2

## Oil bowl | BG3



Image shows:  
8.2533.09.000

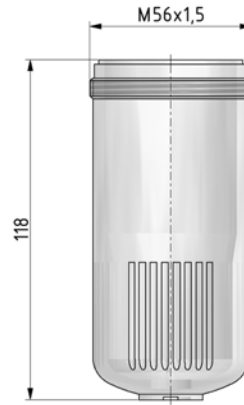


Image shows:  
8.2533.09.000

### technical data

- supply pressure P1 max.: 16 bar
- temperature range: -10°C - +60°C
- bowl: PC
- fixing: screw thread

### accessories

type	part-number	description
L.33	8.2533.09.000	PC oil bowl with o-ring 50x2

Service 3 unit

Service 2 unit

Filter regulator

Filter

Pressure regulator

Lubricator

System extensions

Accessories

Special products

## Oil bowl | BG3



Image shows:  
8.2533.90.000



Image shows:  
8.2533.90.000

Service 3 unit

Service 2 unit

Filter regulator

Filter

Pressure regulator

Lubricator

System extensions

Accessories

Special products

### technical data

- supply pressure P1 max.: 16 bar
- temperature range: -10°C - +60°C
- bowl: metal bowl with level indicator
- fixing: bayonet catch

### accessories

type	part-number	description
L.33 H	8.2533.90.000	Oil bowl metal/visual display (black) with o-ring 50x2



## Oil bowl | BG4



Image shows:  
90004.0213

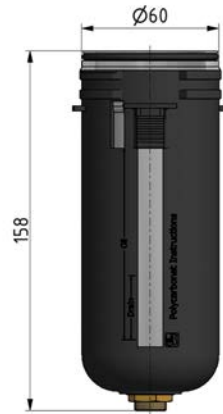


Image shows:  
90004.0213

### technical data

- supply pressure P1 max.: 16 bar
- temperature range: -10°C - +60°C
- bowl: PC with PA bowl guard
- fixing: bayonet catch

### accessories

type	part-number	description
BE.4 c	90004.0213	PC bowl closed with black bowl guard and o-ring 55x2,5

Service 3 unit

Service 2 unit

Filter regulator

Filter

Pressure regulator

Lubricator

System extensions

Accessories

Special products

## Oil bowl | BG4



Image shows:  
90004.0223.2



Image shows:  
90004.0223.2

Service 3 unit

Service 2 unit

Filter regulator

Filter

Pressure regulator

Lubricator

System extensions

Accessories

Special products

### technical data

- supply pressure P1 max.: 16 bar
- temperature range: -10°C - +60°C
- bowl: metal bowl with level indicator
- fixing: bayonet catch

### accessories

type	part-number	description
BE.4 H c	90004.0223.2	Closed bowl metal/visual display (black) and o-ring 55x2,5

## Bowl guard | BGO



Image shows:  
9.9900.00.021



Image shows:  
9.9900.00.021

### technical data

- **material:** steel black electro coated
- **fixing:** bayonet catch

### accessories

type	part-number	description
BC.00-45	9.9900.00.021	Bowl guard

Service 3 unit

Service 2 unit

Filter regulator

Filter

Pressure regulator

Lubricator

System extensions

Accessories

Special products

## Bowl guard | BG1

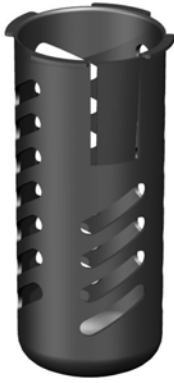


Image shows:  
9.9911.00.046

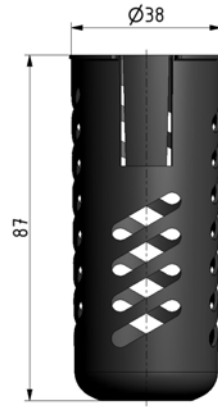


Image shows:  
9.9911.00.046

Service 3 unit

Service 2 unit

Filter regulator

Filter

Pressure regulator

Lubricator

System extensions

Accessories

Special products

### technical data

- **material:** steel black electro coated
- **fixing:** bayonet catch

### accessories

type	part-number	description
C.11-45	9.9911.00.046	Bowl guard and foam ring

## Bowl guard | BG3

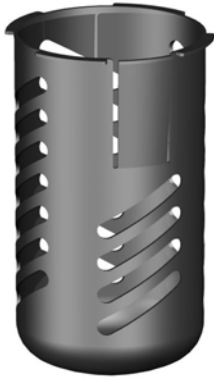


Image shows:  
9.9933.00.089



Image shows:  
9.9933.00.089

### technical data

- **material:** steel black electro coated
- **fixing:** bayonet catch

### accessories

type	part-number	description
C.33-45	9.9933.00.089	Bowl guard and foam ring

Service 3 unit

Service 2 unit

Filter regulator

Filter

Pressure regulator

Lubricator

System extensions

Accessories

Special products

## Differential pressure gauge | BG3, BG5



Image shows:  
9.3700.00.850

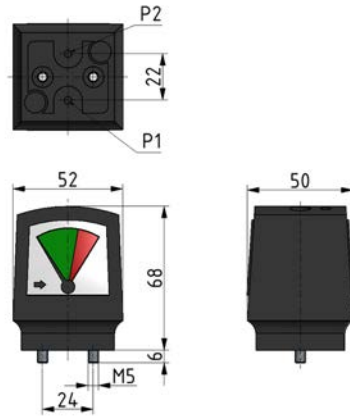


Image shows:  
9.3700.00.850

### technical data

- **description:** magnetic piston meter
- **temperature range:** -10°C - +60°C
- **mounting:** vertical
- **case:** ULTRAMID plastic, black
- **scales:** white plastic, pressure = black, colour fields = green/red
- **scale range:** 0 - 0,5 bar
- **max. working pressure:** 16 bar

### accessories

type	part-number	description
DM 2	9.3700.00.850	Differential pressure gauge scale ranges: 0-0,5bar

Service 3 unit

Service 2 unit

Filter regulator

Filter

Pressure regulator

Lubricator

System extensions

Accessories

Special products

## Pressure switch | BG1, BG3, BG5



Image shows:  
9.90XX.00.005

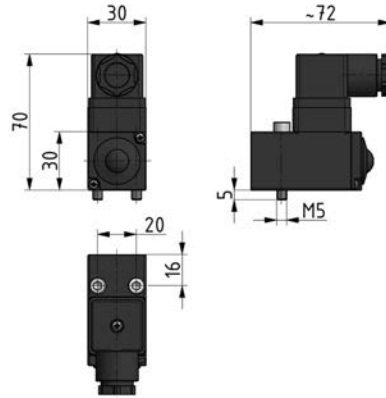


Image shows:  
9.90XX.00.005

### technical data

- **description:** diaphragm pressure switch
- **medium:** air, non corrosive gases fluids
- **temperature range:** -10°C - +80°C
- **protection class:** IP 65
- **electrical connection:** plug connection DIN 43650, form A
- **max. working pressure:** 0,5 - 10 bar (overpressure 80 bar)
- **switch difference:** 4% - 10%
- **switching element:** micro switch, one pole change
- **switch function at regulation value:** connect 1 - 3 contact normally closed; 1 - 2 contact normally open

### accessories

type	part-number	description
PE.10	9.90XX.00.005	Pressure switch flange connection, 0,5-10 bar

Service 3 unit

Service 2 unit

Filter regulator

Filter

Pressure regulator

Lubricator

System extensions

Accessories

Special products

## Pressure switch | BG1



Image shows:  
9.901X.00.011

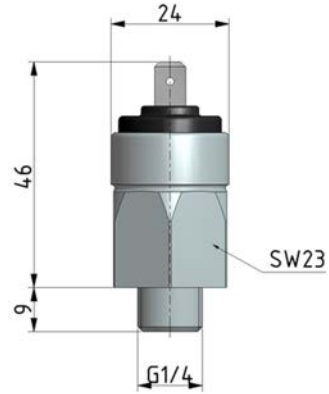


Image shows:  
9.901X.00.011

Service 3 unit

Service 2 unit

Filter regulator

Filter

Pressure regulator

Lubricator

System extensions

Accessories

Special products

### technical data

- **description:** diaphragm, spring loaded
- **medium:** air, non corrosive gases fluids
- **temperature range:** -30°C - +130°C
- **protection class:** IP 65, connect IP 00 DIN 40050
- **max. working pressure:** 1 - 10 bar (overpressure 100 bar)
- **Version:** usually opened
- **switch difference:** 10% - 15%
- **switching element:** contacts, silver plated
- **switch power:** 100 VA; 42 V; 2 A; 200/min

### accessories

type	part-number	description
PE.110	9.901X.00.011	Pressure switch G1/4, 1-10 bar with protection cap (usually opened)
PE.111	9.901X.00.013	Pressure switch G1/4, 1-10 bar with protection cap (usually closed)



## Pressure switch | BG3



Image shows:  
9.900X.00.004

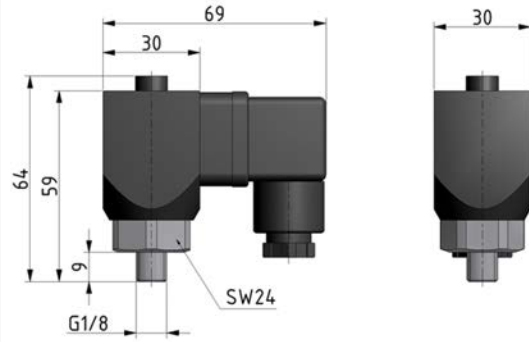


Image shows:  
9.900X.00.004

### technical data

- **description:** diaphragm, spring loaded
- **medium:** air, non corrosive gases fluids
- **temperature range:** -25°C - +85°C
- **protection class:** IP 65, connect IP 00 DIN 40050
- **max. working pressure:** 1 - 10 bar (overpressure 20 bar)
- **switch difference:** 15% - 25%
- **switching element:** micro switch, one pole change

### accessories

type	part-number	description
PE.210	9.900X.00.004	Pressure switch G1/8, 1-10 bar

Service 3 unit

Service 2 unit

Filter regulator

Filter

Pressure regulator

Lubricator

System extensions

Accessories

Special products

## Pressure switch | BGO



Image shows:  
9.900X.00.006

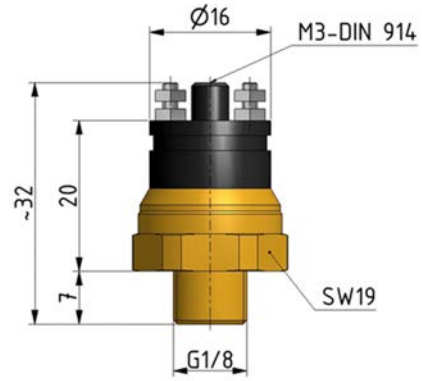


Image shows:  
9.900X.00.006

Service 3 unit

Service 2 unit

Filter regulator

Filter

Pressure regulator

Lubricator

System extensions

Accessories

Special products

### technical data

- **description:** diaphragm, spring loaded
- **medium:** compressed air
- **temperature range:** -30°C - +130°C
- **protection class:** IP 00, protection cap IP 65
- **max. working pressure:** 1 - 10 bar (protected against overpressure to 15 bar)
- **Version:** usually opened
- **switch difference:** 10% - 15%
- **switching element:** contacts, silver plated
- **switch power:** 100 VA; 24 V

### accessories

type	part-number	description
PE.310	9.900X.00.006	Pressure switch G1/8, 1-10 bar with protection cap

## Filter silencer | --



Image shows:  
9.4033.00.700

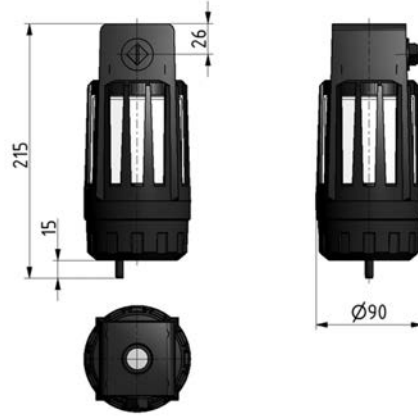
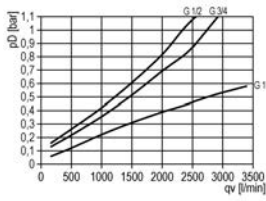
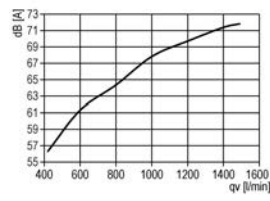


Image shows:  
9.4033.00.700

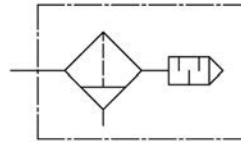
### flow characteristic



### noise expansion



### symbol



### technical data

- **description:** 3 graduated coalescence filter
- **supply pressure P1 max.:** 10 bar
- **temperature range:** -10°C - +60°C
- **drain:** overflow for tube diameter inside ø6
- **mounting:** vertically, connection thread on the top and on the side
- **residual oil concent:** 0,01 mg/m<sup>3</sup>
- **filter efficiency:** 99,99%
- **reduction of noise:** circa 40 dB (A) (at P1 = 5 bar; Q = 2000 l/min and 1 m distance)
- **filter change:** min. once in a year

### accessories

- Befestigungswinkel  
BFSD.55-3

type	part-number	description
FSD.33	9.4033.00.700	Filter silencer G1/2
FSD.34	9.4034.00.700	Filter silencer G3/4

# Filter silencer | --



Image shows:  
9.4055.00.700

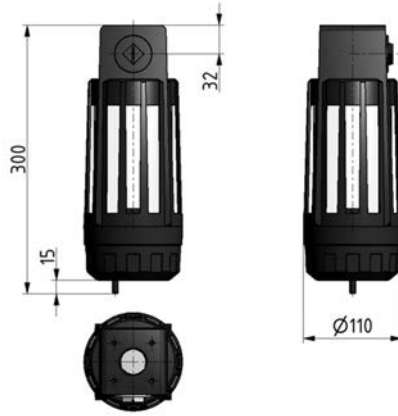
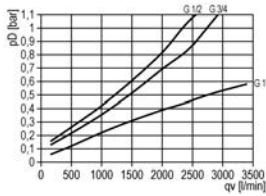
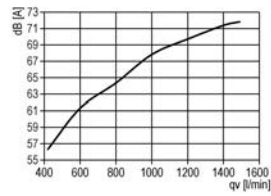


Image shows:  
9.4055.00.700

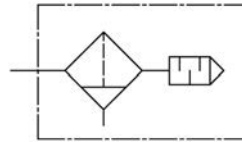
### flow characteristic



### noise expansion



### symbol



### technical data

- **description:** 3 graduated coalescence filter
- **supply pressure P1 max.:** 10 bar
- **temperature range:** -10°C - +60°C
- **drain:** overflow for tube diameter inside ø6
- **mounting:** vertically, connection thread on the top and on the side
- **residual oil concent:** 0,01 mg/m<sup>3</sup>
- **filter efficiency:** 99,99%
- **reduction of noise:** circa 40 dB (A) (at P1 = 5 bar; Q = 2000 l/min and 1 m distance)
- **filter change:** min. once in a year

### accessories

- Befestigungswinkel  
BFSD.55-3

type	part-number	description
FSD.55	9.4055.00.700	Filter silencer G1

Service 3 unit

Service 2 unit

Filter regulator

Filter

Pressure regulator

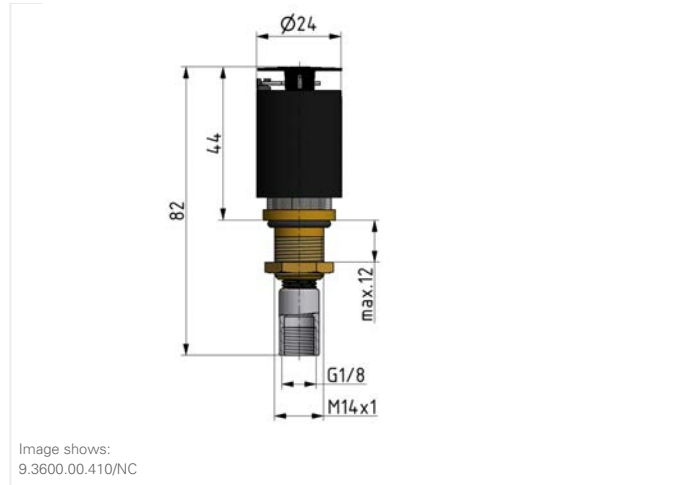
Lubricator

System extensions

Accessories

Special products

## Automatic drain | --



### symbol



### technical data

- **description:** float handled condensate drain (no bleed pressureless)
- **supply pressure P1 min.:** 1,5 bar
- **supply pressure P1 max.:** 16 bar
- **temperature range:** -10°C - +50°C
- **fixing:** located within condensate bowl
- **mounting shaft:** ø14 mm
- **discharge connection:** G 1/8
- **function without pressure:** (P1 0 bar) valve closed

### accessories

type	part-number	description
AM 10 NC	9.3600.00.410/NC	Automatic drain, p1= 1,5-16bar, usually closed
AM 10	9.3600.00.410/V	Automatic drain, p1= 1,5-16bar

Service 3 unit

Service 2 unit

Filter regulator

Filter

Pressure regulator

Lubricator

System extensions

Accessories

Special products

# Membrane dryer | BG1



Image shows:  
9.3311.600

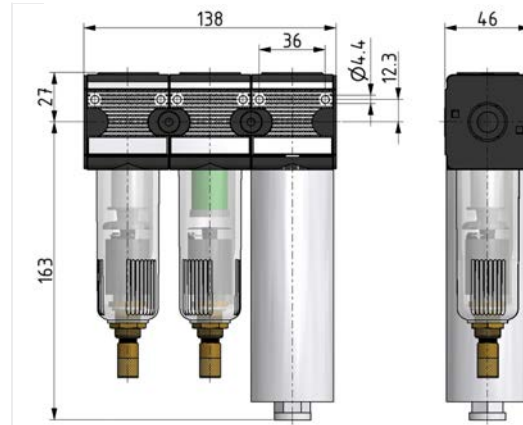


Image shows:  
9.3311.600

### nominal output

DTP Eingang +25°C, 7 bar, DTP Absenkung um 20 °C, (relative Feuchte 35%)  
 Inlet PDP +25°C, 7 bar, PDP reduction 20 °C, (relative humidity 35%)

Supply pressure at (bar)	+10°C/0-10°C		+10°C/0-20°C		+10°C/0-32°C		20°C/0-40°C		
	In	Out	In	Out	In	Out	In	Out	
<b>5 bar</b>									
FFXMT 11.1	4.4	38	33	28	24	15	11	12	7
<b>6 bar</b>									
FFXMT 11.1	5.3	52	46	39	33	21	15	16	11
<b>7 bar</b>									
FFXMT 11.1	6	67	61	50	44	27	21	21	15
<b>8 bar</b>									
FFXMT 11.1	6.8	75	73	59	52	32	25	25	18

### symbol



### technical data

- **description:** membran dryer with prefilter
- **medium:** compressed air, neutral gases
- **temperature range:** +2°C - +60°C
- **mounting:** vertical, drain down
- **fixing:** 2 holes in the body or 2 mounting bracket
- **nominal output (inlet pressure dew point +25°C, 7 bar):** 50 l/min
- **pressure dewpoint reduction at:** 20°C
- **supply pressure P1:** 4 - 10 bar (below 4 bar reduced drying)
- **leakage of pressure:** 0,1 - 0,3 bar
- **filter element:** filter 5 µm (absolutely), micro filter 0,01 µm (absolutely)
- **drain model:** fully automatic
- **noise level:** < 45 dB (A)

### accessories



- mounting bracket: [ZW.11-1](#)



- bowl guard: [C.11-45](#)



- metal-bowl with visual display: [C.11.H.AM10](#)

type	part-number	description
FFXMT.11 AM10	9.3311.600	Membrane dryer unit G1/4 50l/min
FFXMT.11 AM10	9.3311.602	Membrane dryer unit G1/4 150l/min
FFXMT.11 AM10	9.3311.603	Membrane dryer unit G1/4 200l/min

Service 3 unit

Service 2 unit

Filter regulator

Filter

Pressure regulator

Lubricator

System extensions

Accessories

Special products

# Membrane dryer | BG3

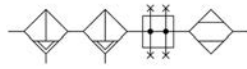


### nominal output

DTP Eingang +25°C, 7 bar, DTP Abenkung um 20 °C (relative Feuchte 25%)  
 Inlet PDP +25°C, 7 bar, PDP reduction 20 °C (relative humidity 25%)

Supply pressure P1	+25°C DP-20°C		+10°C DP-20°C		+5°C DP-20°C		0°C DP-20°C		
	In	Out	In	Out	In	Out	In	Out	
5 bar	45	375	330	280	235	189	123	134	89
6 bar	53	432	483	385	330	231	178	185	132
7 bar	60	470	410	360	440	330	240	240	180
8 bar	68	514	426	350	356	268	204	216	160

### symbol



### technical data

- **description:** membran dryer with prefilter and connection piece
- **medium:** compressed air, neutral gases
- **temperature range:** +2°C - +60°C
- **mounting:** vertical, drain down
- **fixing:** 2 holes in the body or 2 mounting bracket
- **nominal output (inlet pressure dew point +25°C, 7 bar):** 500 l/min
- **pressure dewpoint reduction at:** 20°C
- **supply pressure P1:** 4 - 10 bar (below 4 bar reduced drying)
- **leakage of pressure:** 0,1 - 0,3 bar
- **filter element:** filter 5 µm (absolutely), micro filter 0,01 µm (absolutely)
- **drain model:** fully automatic
- **noise level:** < 45 dB (A)

### accessories



- mounting bracket: [ZW.33-1](#)



- bowl guard: [C.33-45](#)



- metal-bowl with visual display: [C.33 H AM10](#)

type	part-number	description
FFXZMT.33 AM10	9.3333.600	Membrane dryer unit G1/2 500l/min
FFXZMT.33 AM10	9.3333.602	Membrane dryer unit G1/2 950l/min

Service 3 unit

Service 2 unit

Filter regulator

Filter

Pressure regulator

Lubricator

System extensions

Accessories

Special products

# Central filter lubricator unit | BG5



Image shows:  
9.2455.00.000

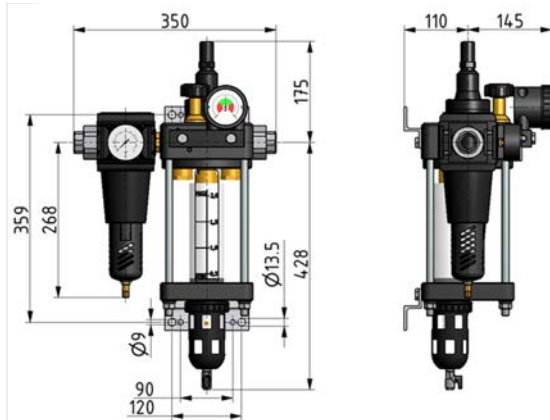
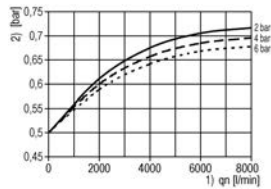
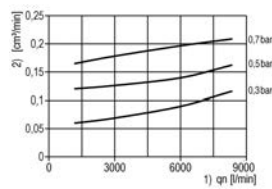


Image shows:  
9.2455.00.000

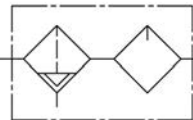
### flow characteristic



### oil mist activation



### symbol



### technical data

- **description:** differential pressure regulated central-lubricator
- **supply pressure P1 max.:** 10 bar
- **temperature range:** -10°C - +60°C
- **mounting:** vertical, drain down
- **fixing:** install in pipe line, mounting bracket
- **operating differential pressure area:** 0,3 - 1 bar
- **recommended operating differential pressure area:** 0,5 bar
- **bowl volume:** 2 l
- **flow range:** 80 - 7000 l/min
- **recommended oil viscosity:** 32 c St / 40°C
- **kind of oil:** CL 32 DIN 51517 - ISO VG 32
- **grade of filtration of prefilter:** 40 µm (absolutely)
- **oil most particle size:** 0,3 - 2 µm

### accessories

- **mounting bracket:** [ZFL.55-22](#)
- **fine filter silencer:** [FSD.33](#) + [FSD.34](#) + [FSD.55](#)

type	part-number	description
ZFL.55	9.2455.00.000	Central filter lubricator unit G1

Service 3 unit

Service 2 unit

Filter regulator

Filter

Pressure regulator

Lubricator

System extensions

Accessories

Special products



# Central filter lubricator unit | BG8



Image shows:  
9.2488.00.000

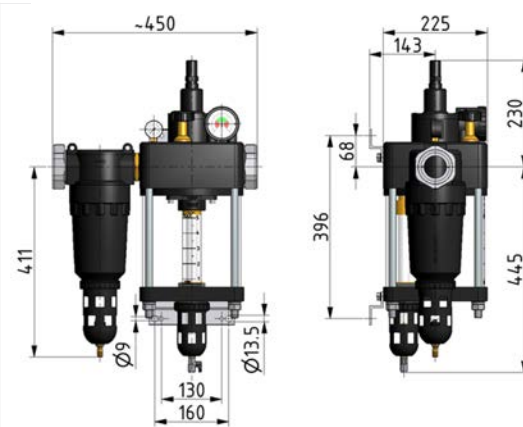
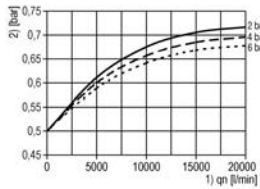
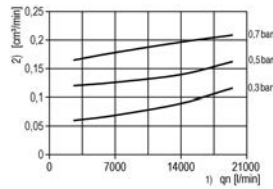


Image shows:  
9.2488.00.000

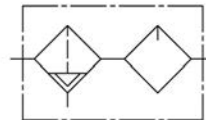
### flow characteristic



### oil mist activation



### symbol



### technical data

- **description:** differential pressure regulated central-lubricator
- **supply pressure P1 max.:** 10 bar
- **temperature range:** -10°C - +60°C
- **mounting:** vertical, drain down
- **fixing:** install in pipe line, mounting bracket
- **operating differential pressure area:** 0,3 - 1 bar
- **recommended operating differential pressure area:** 0,5 bar
- **bowl volume:** 5 l
- **flow range:** 250 - 20000 l/min
- **recommended oil viscosity:** 32 c St / 40°C
- **kind of oil:** CL 32 DIN 51517 - ISO VG 32
- **grade of filtration of prefilter:** 60 µm (absolutely)
- **oil most particle size:** 0,3 - 2 µm

### accessories

- **mounting bracket:** ZFL.88-34
- **fine filter silencer:** [FSD.33](#) + [FSD.34](#) + [FSD.55](#)



type	part-number	description
ZFL.88	9.2488.00.000	Central filter lubricator unit G2

Service 3 unit

Service 2 unit

Filter regulator

Filter

Pressure regulator

Lubricator

System extensions

Accessories

Special products

# Regulator plate ISO | ISO 1

Service 3 unit

Service 2 unit

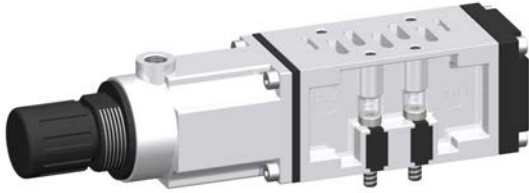


Image shows:  
9.1811.00.400

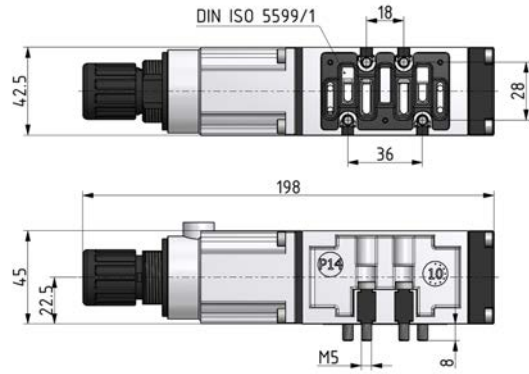
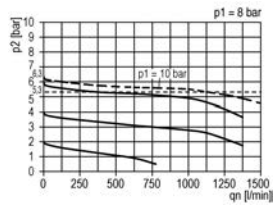


Image shows:  
9.1811.00.400

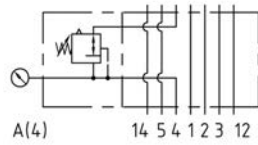
Filter regulator

Filter

### flow characteristic



### symbol



Pressure regulator

Lubricator

System extensions

### technical data

- **description:** air line regulator with diaphragm and relieving feature
- **supply pressure P1 max.:** 16 bar
- **temperature range:** -10°C - +60°C
- **fixing:** about connection plate
- **series:** ISO 1
- **regulation:** A
- **port size:** regulation on 4 according to VDMA 24563

### accessories

- gauge on the back



- gauge vertical: [G 40.10/16 S](#)

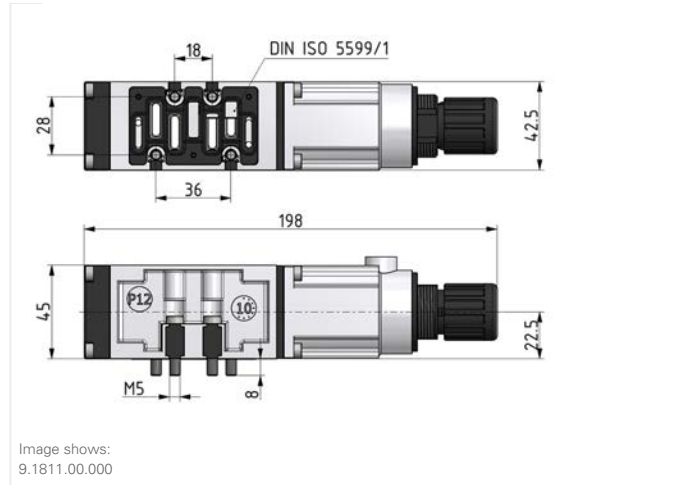
- adapter for gauge with rear connection: ISO.1-12

Accessories

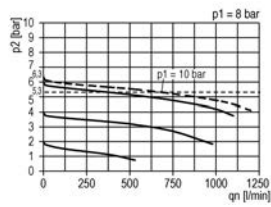
Special products

type	part-number	description
ISO.1 A	9.1811.00.400	Regulator plate ISO.1 (regulating at 4) 0,5-12
ISO.1 A GS	9.1811.00.401	Regulator plate ISO.1 (regulating at 4) 0,5-12 with gauge G 40.10/16 S
ISO.1 B	9.1811.00.600	Regulator plate ISO.1 (regulating at 2) 0,5-12
ISO.1 AB	9.1811.00.800	Regulator plate ISO.1 (regulating at 4/2) 0,5-12

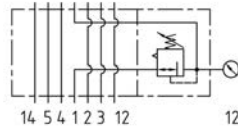
## Regulator plate ISO | ISO 1



### flow characteristic



### symbol



### technical data

- **description:** air line regulator with diaphragm and relieving feature
- **supply pressure P1 max.:** 16 bar
- **temperature range:** -10°C - +60°C
- **fixing:** about connection plate
- **series:** ISO 1
- **regulation:** P 12
- **port size:** regulation on 12 according to VDMA 24563

### accessories

- gauge on the back
- gauge vertical: [G 40.10/16 S](#)
- adapter for gauge with rear connection: ISO.1-12

type	part-number	description
ISO.1 P12	9.1811.00.000	Regulator plate ISO.1 (regulating at 1) 0,5-12
ISO.1 P14	9.1811.00.200	Regulator plate ISO.1 (regulating at 1) 0,5-12

# KNOCKS

Manufacturer competence  
for filter, lubricator and  
regulator technology in  
compressed-air conditioning.

[www.knocks.de](http://www.knocks.de)

# Our two further product series for even more solutions to problems.

## FUTURA

### FUTURE BUILT IN

Innovative, compact, modular and highly efficient, the Futura series is the highlight of KNOCKS research.

- Innovative material concept: Grivory GV-6H (60% glass fibre content) – lighter, more rigid and more economic than metal
- Low maintenance

#### Futura series

<b>Weight</b> = low
<b>Modularity</b> = high
<b>Temperature stability</b> = -25 °C to +50 °C
<b>Pressure monitoring</b> = possible
<b>Micro-filter monitoring</b> = possible

## STANDARD

### FOR THE TOUGHEST REQUIREMENTS

Robust, solid and extremely tough, the Standard series made has proven itself in tough everyday practice.

- Ideal for high pressure ranges
- Ideal for large dimensions (up to 3 inches) and higher flow rate volumes
- High shock resistance
- Material: die-cast zinc, die-cast aluminium

#### Standard series

<b>Weight</b> = high
<b>Modularity</b> = not available
<b>Temperature stability</b> = -25 °C to +60 °C
<b>Pressure monitoring</b> = possible
<b>Micro-filter monitoring</b> = not possible



More in the Internet at: [www.knocks.de](http://www.knocks.de)



More in the Internet at: [www.knocks.de](http://www.knocks.de)

# Meets the highest requirements. Guaranteed.

## QUALITY THAT LIVES UP TO WHAT WE PROMISE.

In the face of increasing globalisation, quality and quality assurance have taken on a new significance. And at KNOCKS, you can count on the following:

- Receiving inspections with computer-assisted optical measurement and error analysis
- Fully automatic functional and leakage testing with statistic evaluation of the test data
- The company is certified according to DIN ISO 9001:2000

We test the quality of our products using a stringent system which allows us to guarantee the continuous quality of our products to our customers. Always proper, always honest – and always official.

**And everything is made in Germany! This allows us to maintain full control over all development and manufacturing steps in accordance with German and European standards. This has been our quality promise for 40 years!**

In the modern high-rack warehouse system, everything is oriented on the reliable processing of your orders. Some 3,100 pallet spaces and 7,000 storage spaces for smaller parts ensure fast and continual availability. Whatever you need – we always have it ready for delivery!



Reg.-Nr.:  
062319 QM



Quality management: with fingertip instincts.



Our warehouse: designed for the quickest delivery.



# Special developments, custom-made in Germany.

## YOUR REQUIREMENTS ARE OUR STANDARD.

Do you have a problem that requires a special solution? Simply delegate this task to our developers! Our high-performance engineering team can design innovative technologies for you which are guaranteed to be 100% compatible with your requirements.

We build on comprehensive expertise in developing forward-looking series and patented technologies.



- Well-founded expertise in the 3-D area
- State-of-the-art CAD systems

This allows your requirements to quickly take shape.



Our engineering department: always state-of-the-art.

# Your desired KNOCKS product? The Finder in the Internet knows all of them.

## **BETTER A QUICK FIND THAN A LENGTHY SEARCH.**

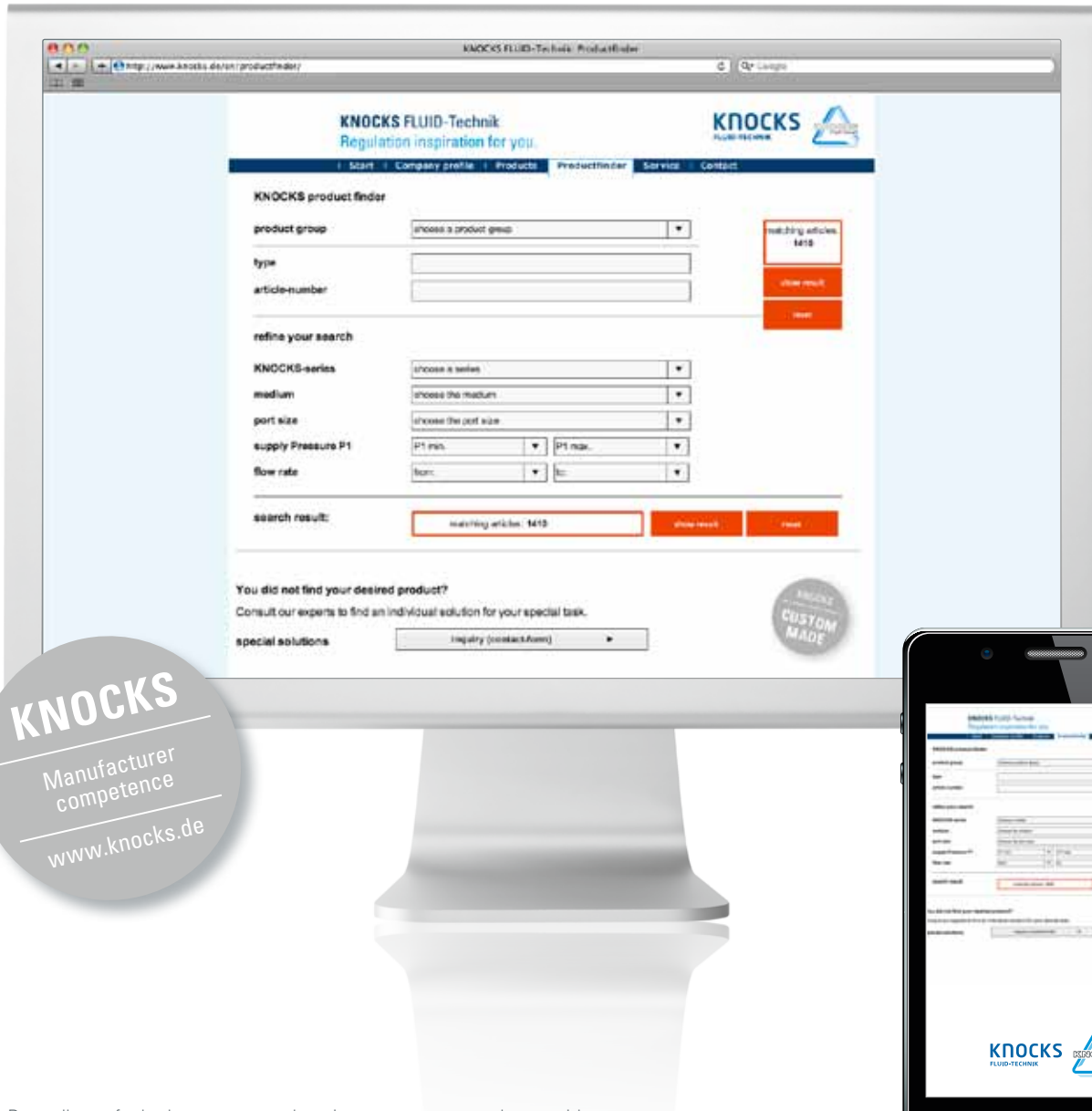
In just a few clicks you, you can find the devices you need for compressed-air conditioning in the Internet. At our address [www.knocks.de](http://www.knocks.de) you can activate our new selection tool in the main navigation bar under the point "Productfinder".

By answering the list of questions in a targeted manner, the hit list can be refined. The corresponding data sheet can be generated from this hit list (taking the gross price into account). A contact form for special solutions rounds off our complete solution for all possible customer requests.



Naturally, you can also find all Futura products online.



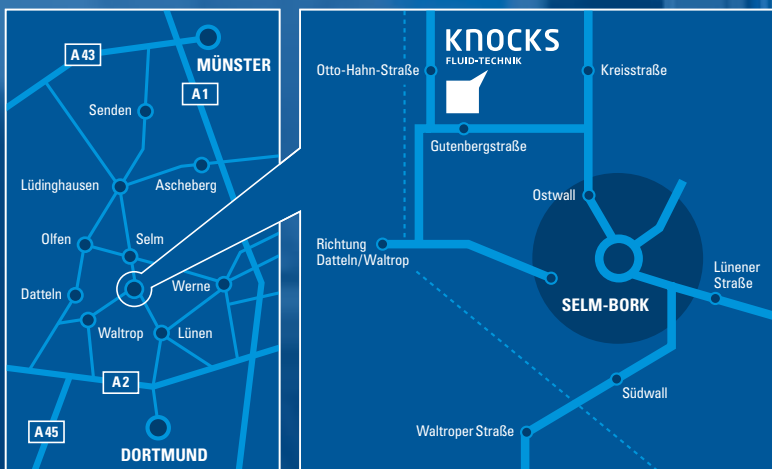


Regardless of whether at your workstation computer or on the go with your mobile device – the KNOCKS Productfinder delivers answers on your personally desired KNOCKS product in a fast and straightforward manner.

[www.knocks.de](http://www.knocks.de)



Always  
one idea  
ahead.



KNOCKS Fluid-Technik GmbH  
Otto-Hahn-Straße 4  
59379 Selm | Germany

Tel. +49 (0) 2592 966 - 0  
Fax +49 (0) 2592 966 - 600  
E-mail [info@knocks.de](mailto:info@knocks.de)

[www.knocks.de](http://www.knocks.de)

