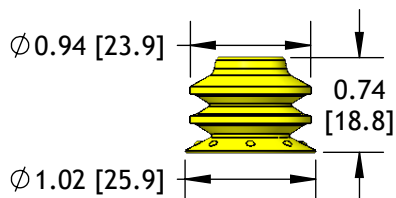


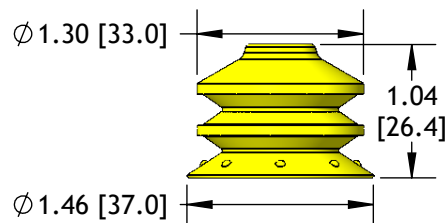
Double Bellows Vacuum Cups

	Cup Size	Cup Material	Cup Fitting	Filter
XP-2B	65	D	-18MS	
25	Ø 25 mm	A Ameriflex	(Blank) None	(Blank) None
35	Ø 35 mm	D Duramax	See cup fittings for available threads.	-FD PE Filter Disc
50	Ø 50 mm	N Nitrile		-FS SS Filter Screen
65	Ø 65 mm			See cup fittings for availability.



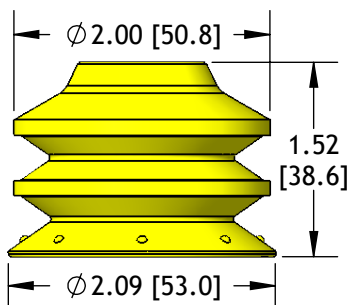
XP-2B25

Cup Diameter: in [mm]	25 mm
Thru Hole: in [mm]	0.20 [5.1]
Stroke: in [mm]	0.38 [9.7]
Cup Weight: oz [g]	0.11 [3.1]
Internal Volume: cu in [cc]	0.18 [3.0]
Force @ 6 inHG: lb [n]	2.02 [9.0]
Force @ 18 inHG: lb [n]	3.15 [14.0]
Minimum Radius: in [mm]	0.31 [7.9]



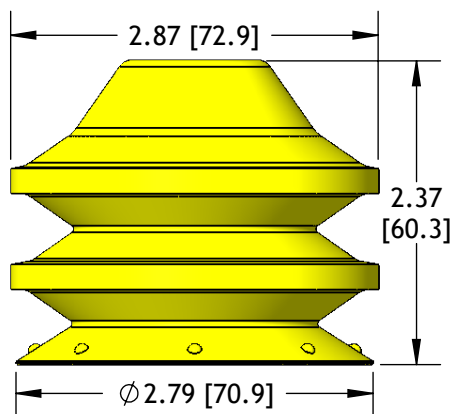
XP-2B35

Cup Diameter: in [mm]	35 mm
Thru Hole: in [mm]	0.20 [5.1]
Stroke: in [mm]	0.59 [15.0]
Cup Weight: oz [g]	0.28 [7.9]
Internal Volume: cu in [cc]	0.61 [10.0]
Force @ 6 inHG: lb [n]	3.37 [15.0]
Force @ 18 inHG: lb [n]	5.62 [25.0]
Minimum Radius: in [mm]	0.39 [9.9]



XP-2B50

Cup Diameter: in [mm]	50 mm
Thru Hole: in [mm]	0.36 [9.1]
Stroke: in [mm]	0.82 [20.8]
Cup Weight: oz [g]	0.85 [24.1]
Internal Volume: cu in [cc]	1.83 [30.0]
Force @ 6 inHG: lb [n]	8.32 [37.0]
Force @ 18 inHG: lb [n]	13.30 [59.2]
Minimum Radius: in [mm]	1.26 [32.0]



XP-2B65

Cup Diameter: in [mm]	65 mm
Thru Hole: in [mm]	0.50 [12.7]
Stroke: in [mm]	1.30 [33.0]
Cup Weight: oz [g]	2.20 [63.0]
Internal Volume: cu in [cc]	5.85 [95.9]
Force @ 6 inHG: lb [n]	8.40 [37.4]
Force @ 18 inHG: lb [n]	21.00 [93.4]
Minimum Radius: in [mm]	1.22 [31.0]