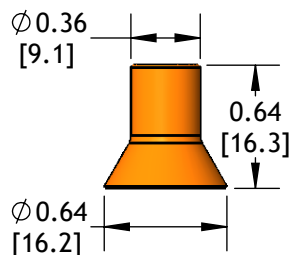


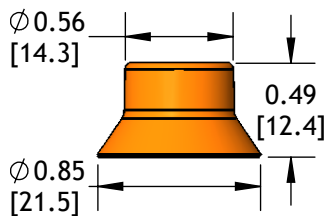
Deep Vacuum Cups

	Cup Size	Cup Material	Cup Fitting	Filter
XP-D	15	S	-5F	
15	Ø 15 mm	N Nitrile	(Blank) None	(Blank) None
20	Ø 20 mm	S Silicone	See cup fittings for available threads.	-FD PE Filter Disc
30	Ø 30 mm			-FS SS Filter Screen
40	Ø 40 mm			See cup fittings for availability.
50	Ø 50 mm			



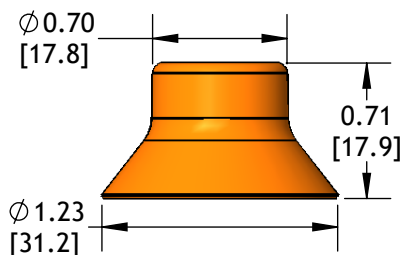
XP-D15

Cup Diameter: in [mm]	15 mm
Thru Hole: in [mm]	0.14 [3.6]
Stroke: in [mm]	0.12 [3.0]
Cup Weight: oz [g]	0.03 [0.9]
Internal Volume: cu in [cc]	0.06 [1.0]
Force @ 6 inHG: lb [n]	0.65 [2.8]
Force @ 18 inHG: lb [n]	1.70 [7.5]
Minimum Radius: in [mm]	0.24 [6.1]



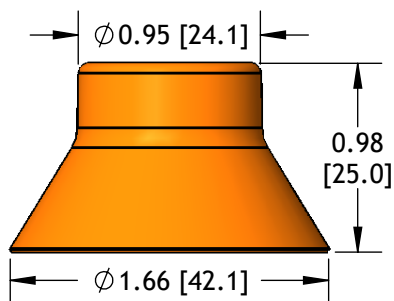
XP-D20

Cup Diameter: in [mm]	20 mm
Thru Hole: in [mm]	0.20 [5.1]
Stroke: in [mm]	0.18 [4.6]
Cup Weight: oz [g]	0.05 [1.4]
Internal Volume: cu in [cc]	0.12 [2.0]
Force @ 6 inHG: lb [n]	1.30 [5.7]
Force @ 18 inHG: lb [n]	3.30 [14.6]
Minimum Radius: in [mm]	0.32 [8.1]



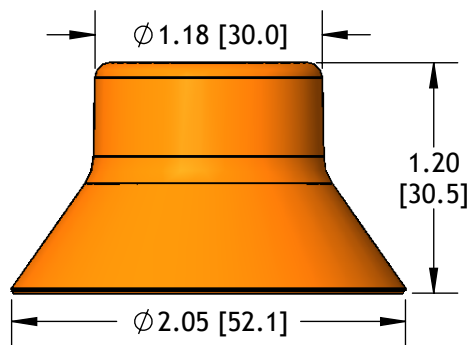
XP-D30

Cup Diameter: in [mm]	30 mm
Thru Hole: in [mm]	0.20 [5.1]
Stroke: in [mm]	0.20 [5.1]
Cup Weight: oz [g]	0.11 [3.1]
Internal Volume: cu in [cc]	0.30 [5.0]
Force @ 6 inHG: lb [n]	3.10 [13.8]
Force @ 18 inHG: lb [n]	5.80 [25.8]
Minimum Radius: in [mm]	0.51 [13.0]



XP-D40

Cup Diameter: in [mm]	40 mm
Thru Hole: in [mm]	0.29 [7.4]
Stroke: in [mm]	0.31 [7.9]
Cup Weight: oz [g]	0.30 [8.5]
Internal Volume: cu in [cc]	0.80 [13.0]
Force @ 6 inHG: lb [n]	5.40 [24.0]
Force @ 18 inHG: lb [n]	11.30 [50.3]
Minimum Radius: in [mm]	0.65 [16.5]



XP-D50

Cup Diameter: in [mm]	50 mm
Thru Hole: in [mm]	0.36 [9.1]
Stroke: in [mm]	0.39 [9.9]
Cup Weight: oz [g]	0.54 [15.3]
Internal Volume: cu in [cc]	1.40 [23.0]
Force @ 6 inHG: lb [n]	8.10 [36.0]
Force @ 18 inHG: lb [n]	17.00 [75.6]
Minimum Radius: in [mm]	0.98 [24.9]