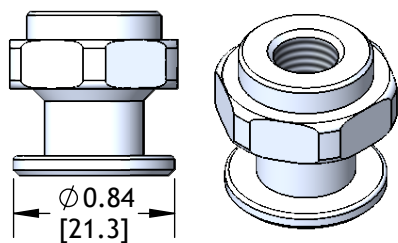


### Ø 65 mm Cups - Female



#### Technical Data

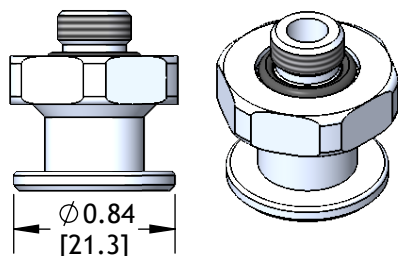
Fitting	Assembly Suffix	Weight oz [g]	PE Filter	SS Filter
65-18F	-18F	0.43 [12.2]	FD339	FS350
65-38F	-38F	0.66 [18.6]	N/A	N/A
65-G14F	-G14F	0.45 [12.7]	N/A	FS500

#### Dimensions

Fitting	Hex Height in [mm]	Offset Height in [mm]	Thru Hole in [mm]	Thread	Thread Depth in [mm]
65-18F	0.25 [6.4]	0.15 [3.8]	0.34 [8.6]	G 1/8 NPSF	0.38 [7.1]
65-38F	0.82 [20.8]	N/A	0.34 [8.6]	3/8 NPSF	0.55 [14.0]
65-G14F	0.25 [6.4]	0.34 [8.5]	0.34 [8.6]	G 1/4	0.45 [11.4]

Hex Size = 0.88 [22.4] for all 65 mm Cup Fittings

### Ø 65 mm Cups - Male



#### Technical Data

Fitting	Assembly Suffix	Weight oz [g]	PE Filter	SS Filter
65-18M	-18M	0.43 [12.3]	N/A	FS385
65-14M	-14M	0.45 [12.7]	N/A	FS350
65-38M	-38M	0.45 [12.7]	N/A	FS350
65-G14M	-G14M	0.45 [12.7]	N/A	FS350
65-G38M	-G38M	0.45 [12.7]	N/A	FS350

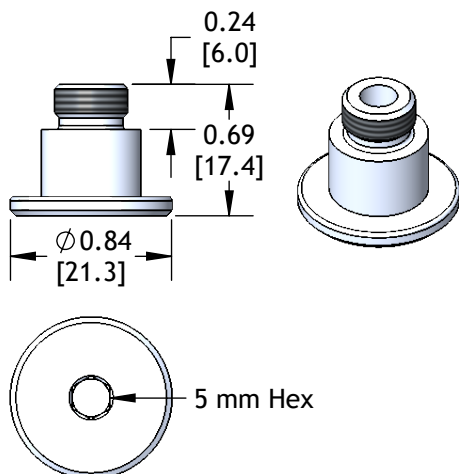
#### Dimensions

Fitting	Hex Height in [mm]	Thru Hole in [mm]	Thread	Thread Length in [mm]
65-18M	0.25 [6.4]	0.22 [5.6]	G 1/8 NPSF	0.24 [6.1]
65-14M	0.29 [7.4]	0.28 [7.1]	1/4 NPT	0.27 [6.9]
65-38M	0.25 [6.4]	0.34 [8.6]	3/8 NPSF	0.35 [8.9]
65-G14M	0.29 [7.4]	0.28 [7.1]	G 1/4	0.27 [6.9]
65-G38M	0.25 [6.4]	0.34 [8.6]	G 3/8	0.35 [8.9]

65-38M and 65-G38M also have G 1/8 NPSF Female Threads

Hex Size = 0.88 [22.4] on all 65 mm Cup Fittings

### Ø 65 mm Cups - Male Stud



#### 65-18MS

Assembly Suffix:	-18MS
Thread:	G 1/8 NPSF
Weight: oz [g]	0.21 [5.9]
Thru Hole: in [mm]	0.2 [5.0]
PE Filter:	N/A
SS Filter:	N/A