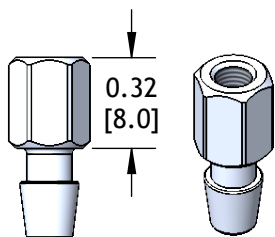
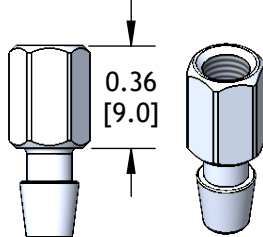


Ø 10-15 mm Cups - Standard



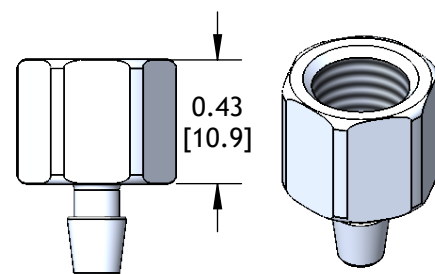
10-4F

Assembly Suffix:	-4F
Threads:	M4X0.7 Female
Thread Depth: in [mm]	0.23 [5.8]
Weight: oz [g]	0.05 [1.4]
Thru Hole: in [mm]	0.10 [2.5]
Hex Size: in [mm]	0.25 [6.4]
PE Filter:	N/A
SS Filter:	N/A



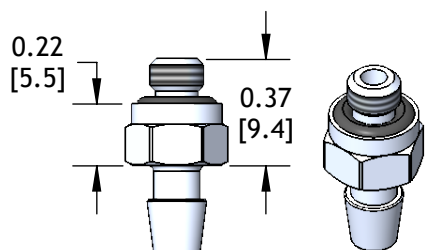
10-5F

Assembly Suffix:	-5F
Threads:	M5X0.8 Female
Thread Depth: in [mm]	0.20 [5.1]
Weight: oz [g]	0.05 [1.4]
Thru Hole: in [mm]	0.10 [2.5]
Hex Size: in [mm]	0.25 [6.4]
PE Filter:	N/A
SS Filter:	N/A



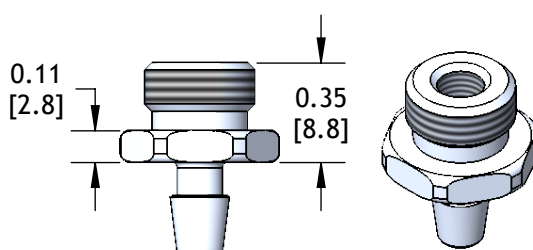
10-18F

Assembly Suffix:	-10M
Threads:	G 1/8-27 NPSF
Thread Depth: in [mm]	0.28 [7.1]
Weight: oz [g]	0.10 [2.8]
Thru Hole: in [mm]	0.10 [2.5]
Hex Size: in [mm]	0.5 [13.0]
PE Filter:	FD339
SS Filter:	FS350



10-10M

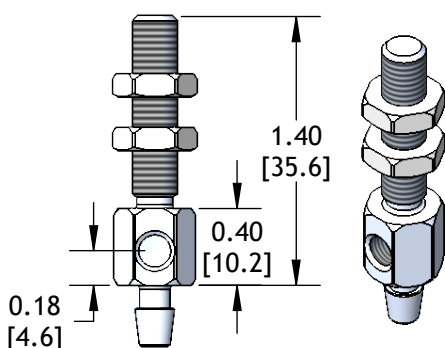
Assembly Suffix:	-10M
Threads:	10-32 Male
Weight: oz [g]	0.10 [2.8]
Thru Hole: in [mm]	0.10 [2.5]
Hex Size: in [mm]	0.31 [8.0]
PE Filter:	N/A
SS Filter:	N/A



10-18M

Assembly Suffix:	-18M
Male Threads:	G 1/8-28 Male
Female Threads:	M5X0.8 Female
Thread Depth: in [mm]	0.21 [5.3]
Weight: oz [g]	0.08 [2.3]
Thru Hole: in [mm]	0.10 [2.5]
Hex Size: in [mm]	0.50 [13.0]
PE Filter:	N/A
SS Filter:	N/A

Ø 10-15 mm Cups - Side Vacuum Port w/ Male Post



10-S5F-6M

Assembly Suffix:	-S5F-6M
Port Threads:	M5X0.8
Post Threads:	M6X1.0
Weight: oz [g]	0.24 [6.8]
Thru Hole: in [mm]	0.10 [2.5]
Hex Size: in [mm]	0.38 [9.5]
PE Filter:	N/A
SS Filter:	N/A

JN-M6X1.0 - Jam Nut - 2 Included